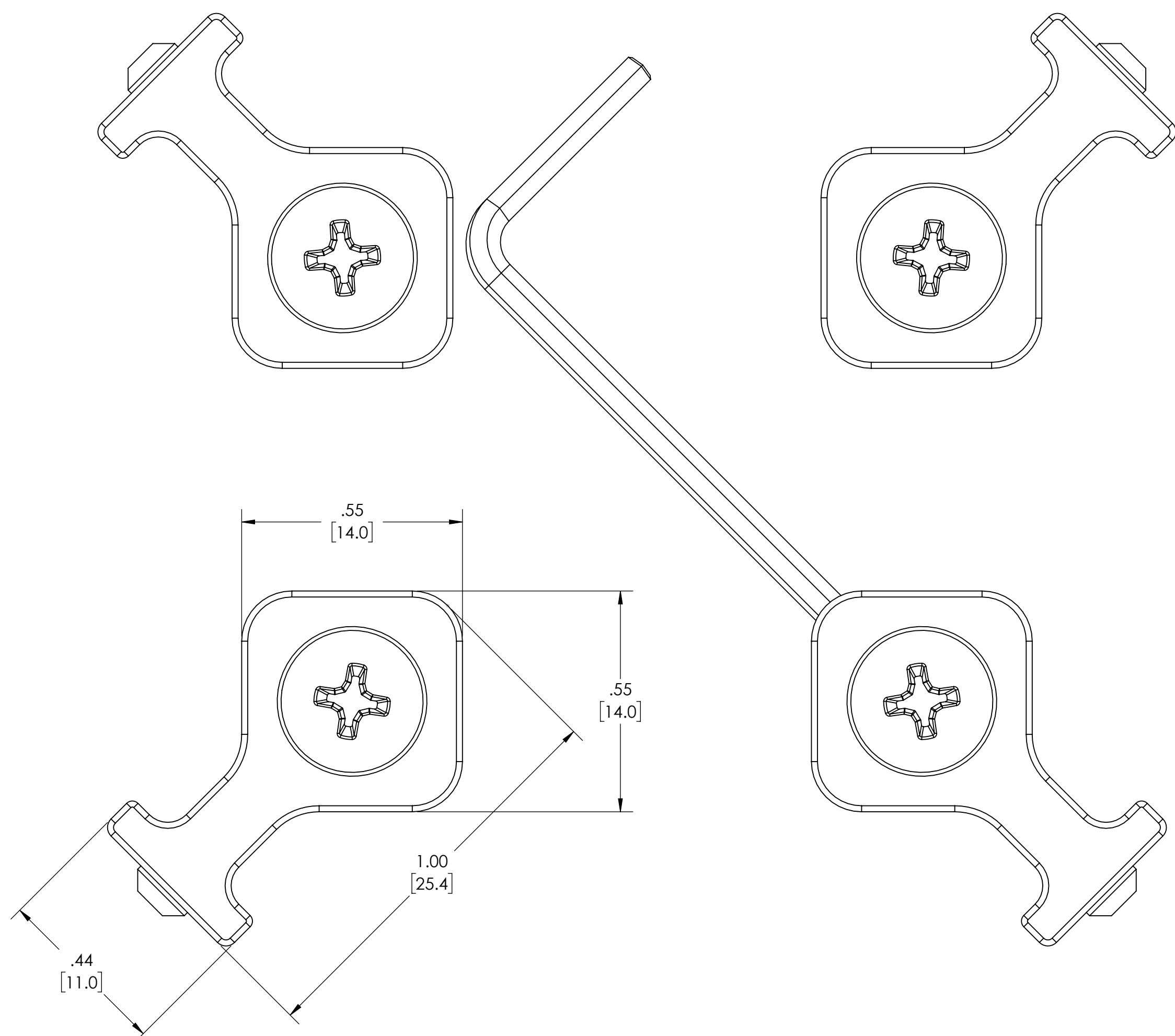
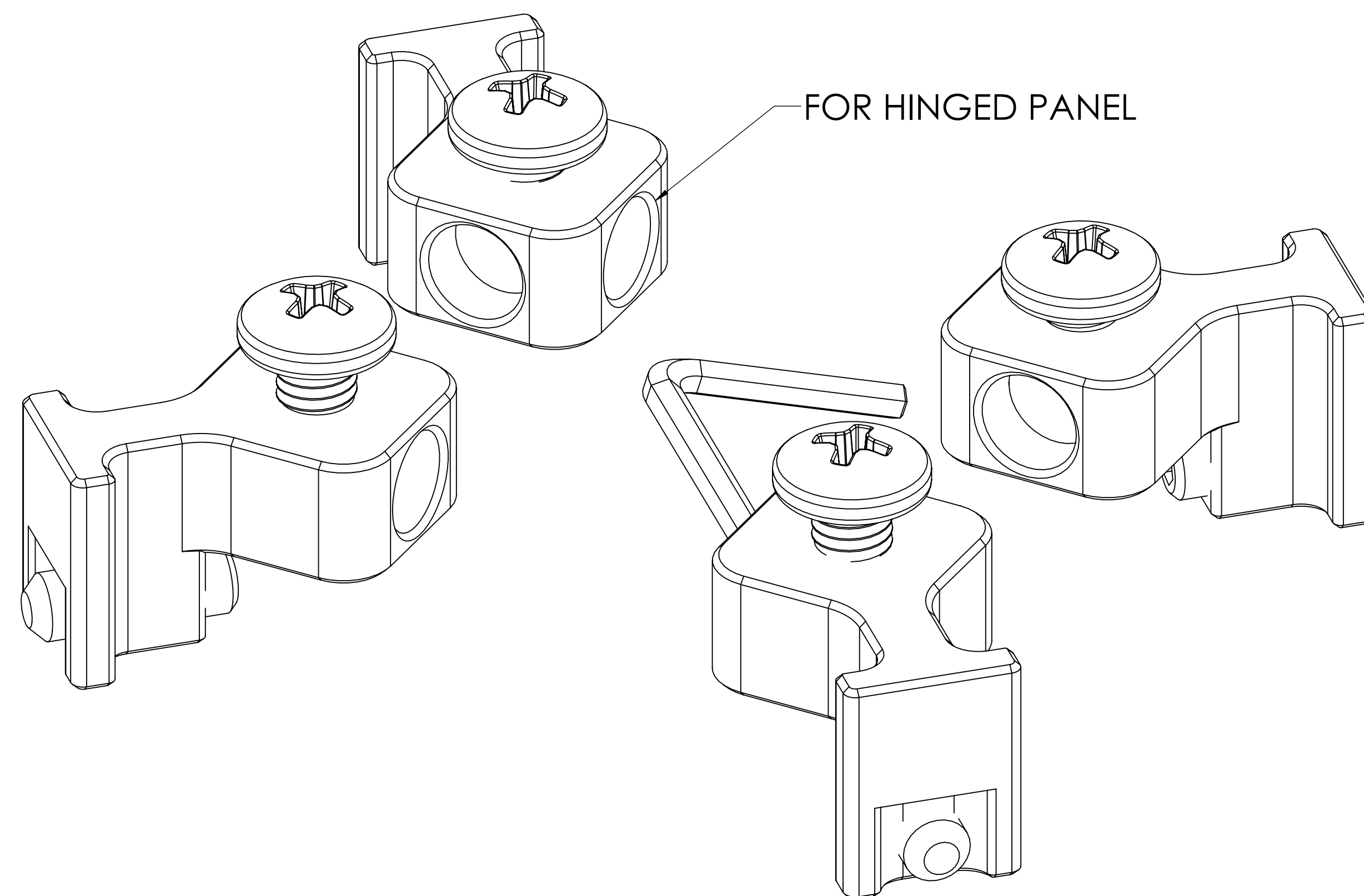




NOTES:

1. DESIGNED TO BE USED WITH (AND IS INCLUDED WITH) THE FLOATING KIT (SUFFIX 4) AND HINGED KIT (SUFFIX 2).
2. FITS THE FOLLOWING: DPX-287062, DPX-287064, DPX-287072, DPX-287074, DPX-287082, DPX-287084, DPX-287092, DPX-287094, DPX-DPX-287102, DPX-287104, DPX-287122, DPX-287124, DPX-287132, DPX-287134, DPX-287142 & DPX-287144.



DRAWING FOR REFERENCE
WE RESERVE THE RIGHT TO MAKE CHANGES TO OUR STANDARD PRODUCTS. PLEASE CONSULT WITH BUD INDUSTRIES PRIOR TO USING THIS DRAWING FOR DESIGN PURPOSE.