

MATERIALS AND FINISHES:

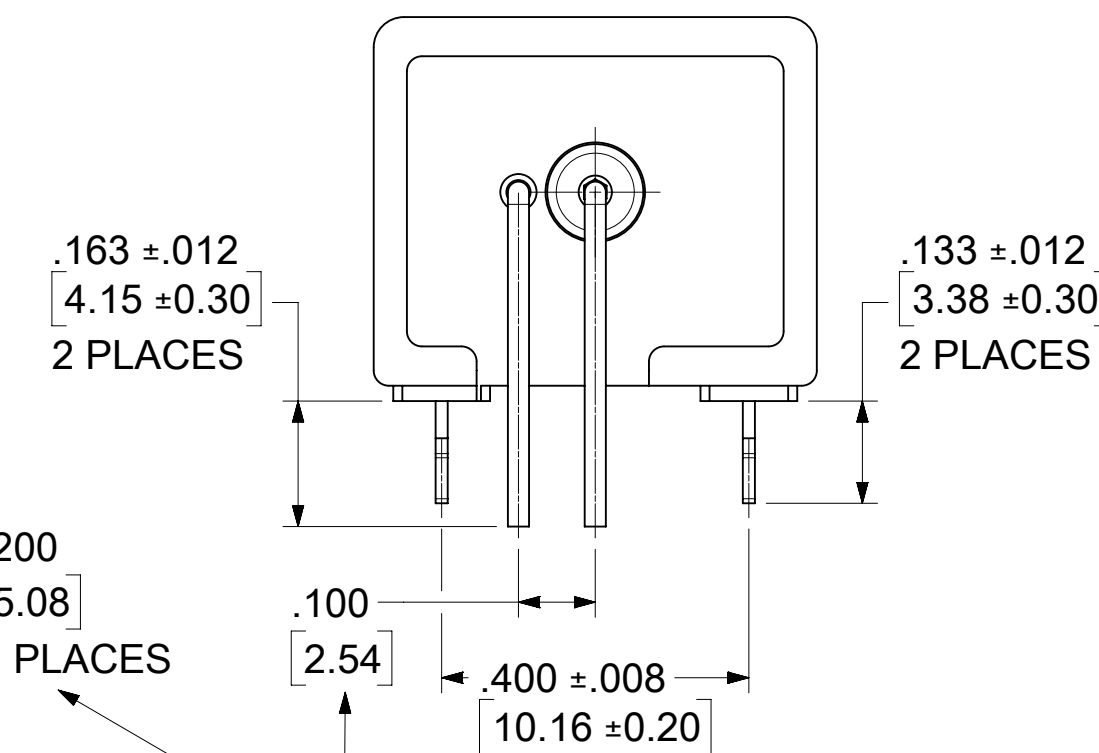
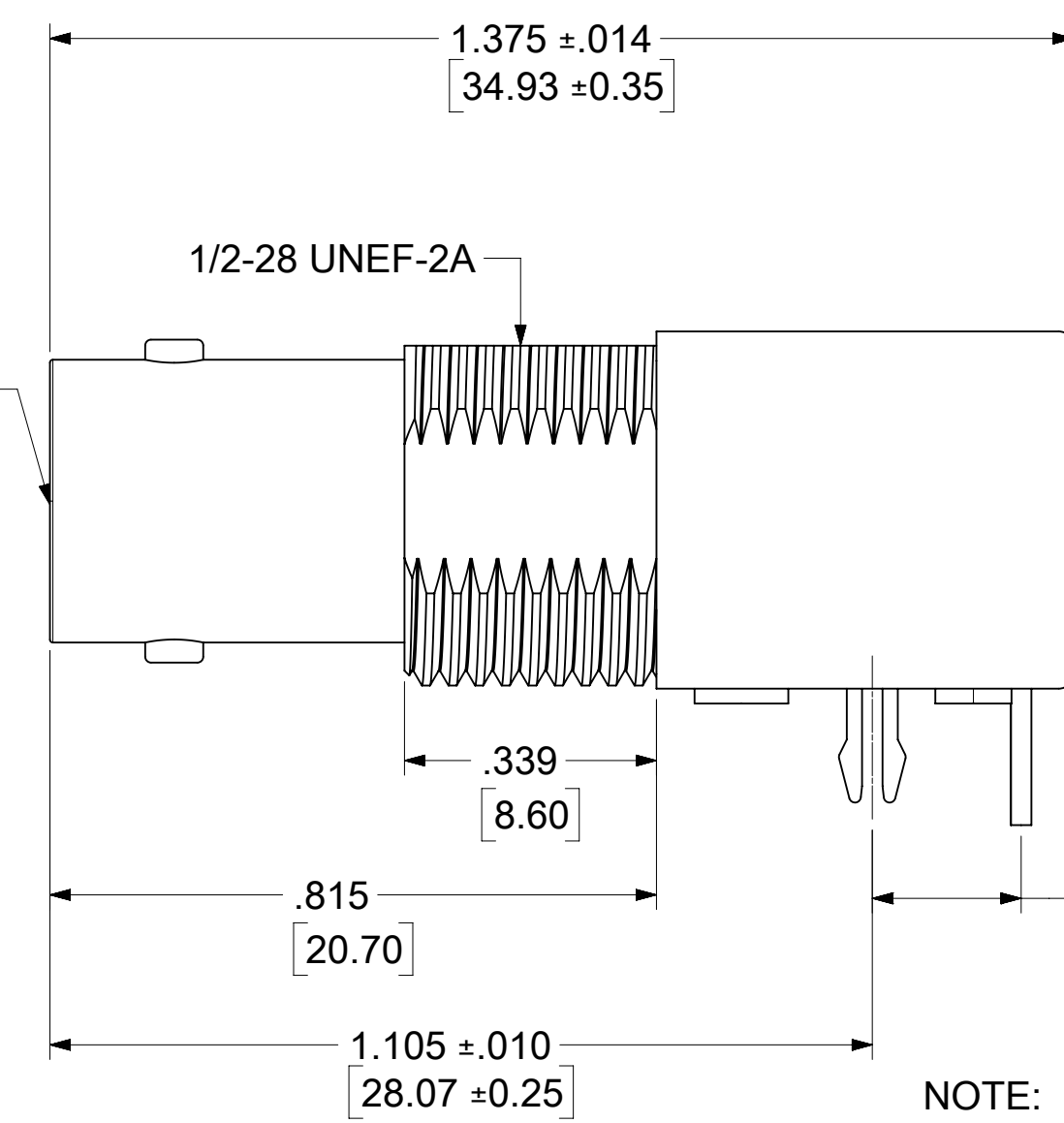
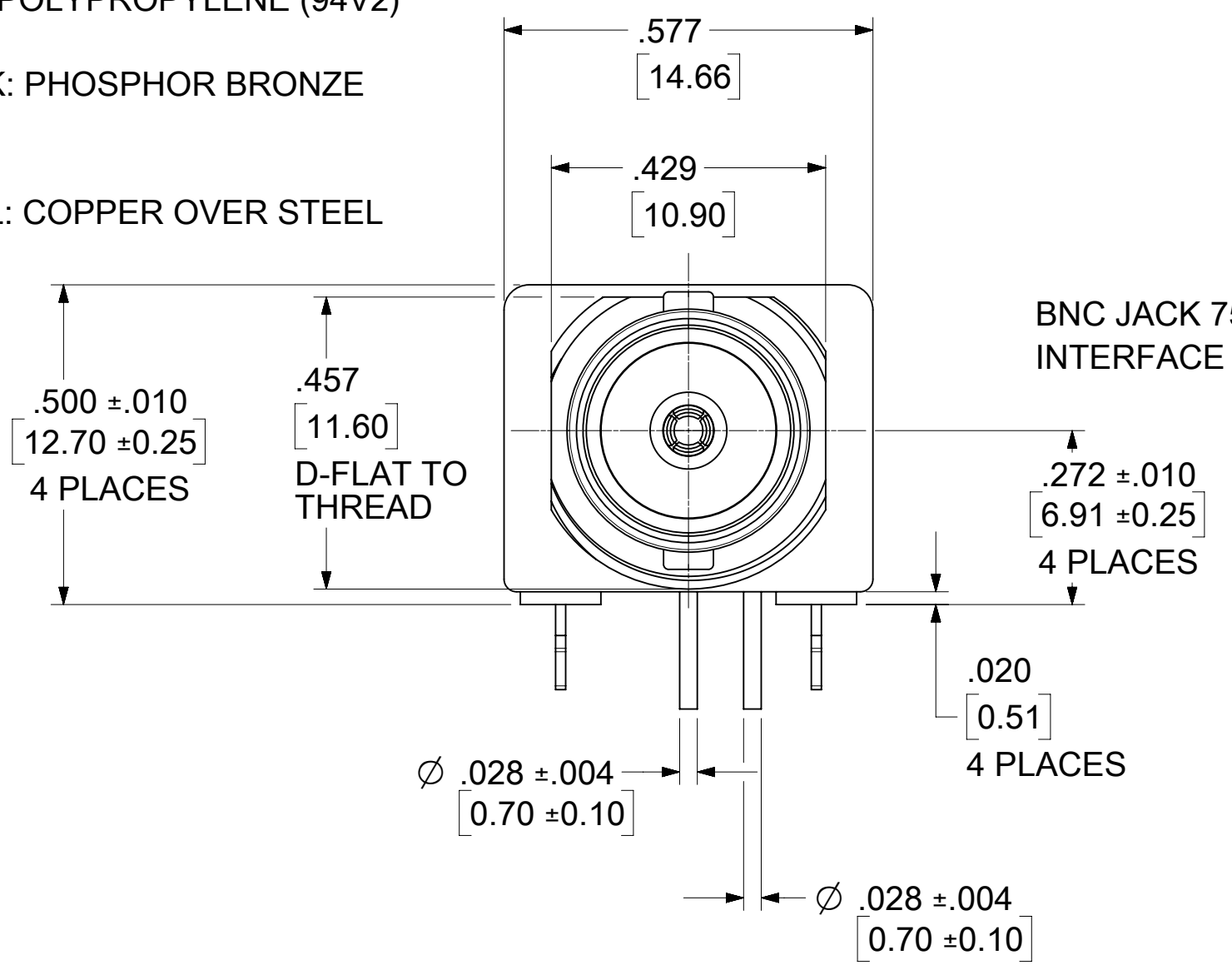
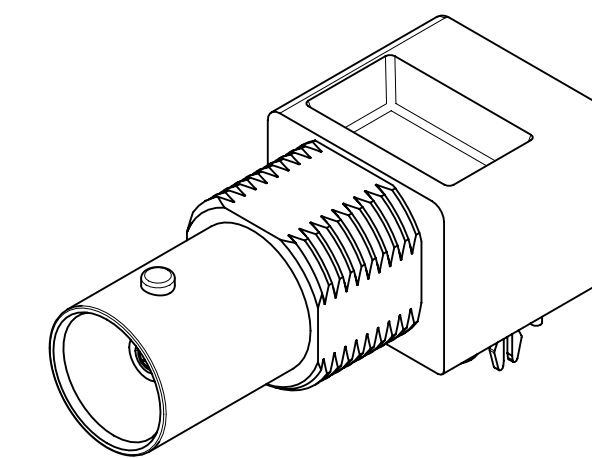
BODY: ZINC ALLOY
PLATED NICKEL

CENTER CONTACT: PHOSPHOR BRONZE
PLATED GOLD

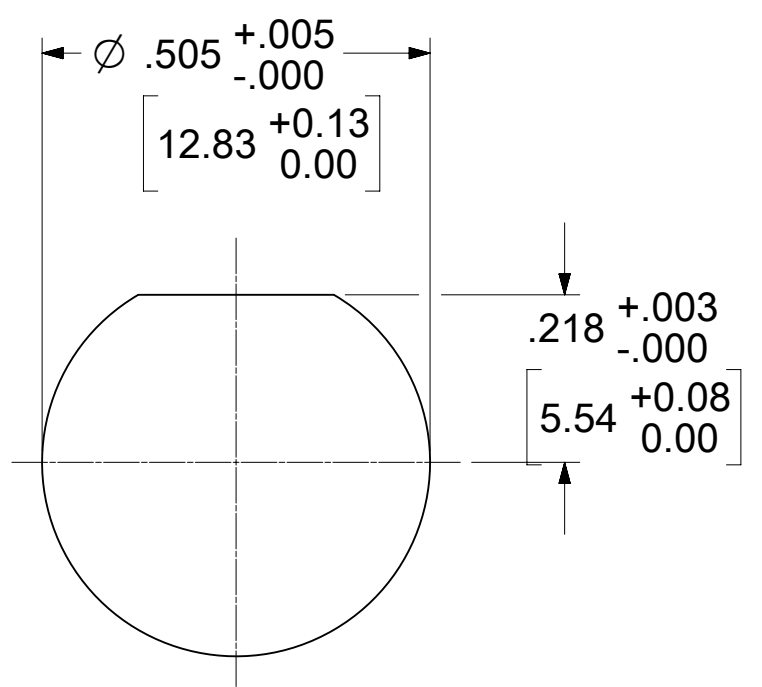
INSULATOR: POLYPROPYLENE (94V2)

BOARD LOCK: PHOSPHOR BRONZE
PLATED TIN

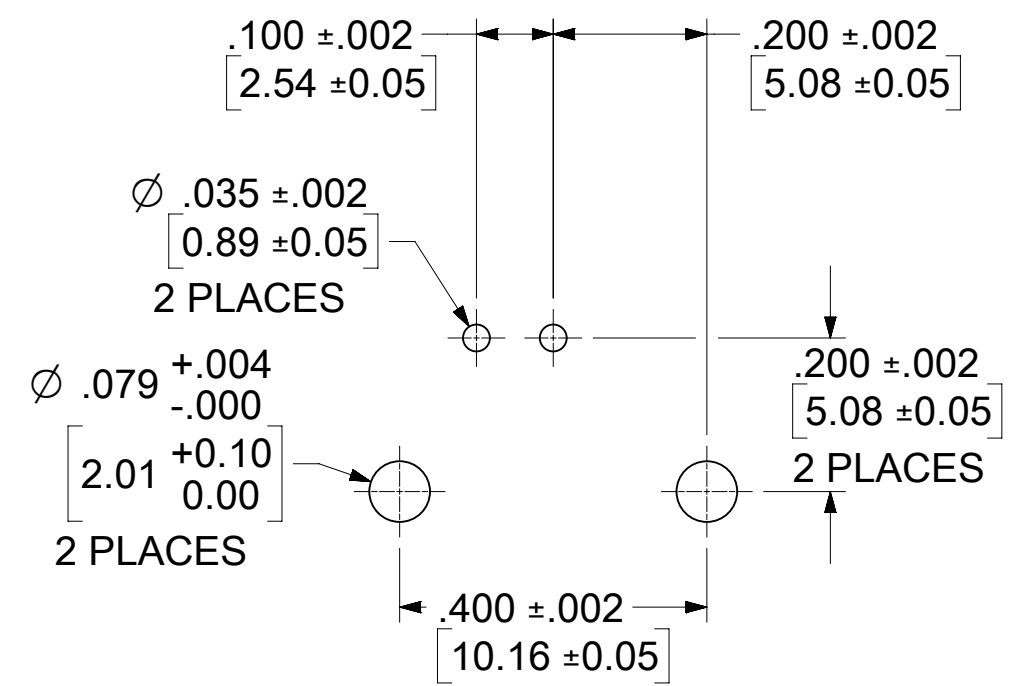
SOLDER TAIL: COPPER OVER STEEL
PLATED TIN



NOTE:
LEADS MAY NEED TO BE
ADJUSTED TO FIT PCB



RECOMMENDED MOUNTING HOLE
PANEL THICKNESS: .216 (5.40) MAX
TORQUE: 1.36 N-m (12 INCH-LBS) MAX



RECOMMENDED PCB LAYOUT

73171-4330	73101-0120 ONE PER BAG	895420089
73101-0120	73101-0120 TRAY	895420550
PART NO.	DESCRIPTION	PACKING SPEC

PS-89675-1030	PRODUCTION SPECIFICATION
SPECIFICATION	DESCRIPTION

DOCUMENT STATUS	P1	RELEASE DATE	2023/02/06 09:29:37
-----------------	----	--------------	---------------------

LABEL WITH EACH BAG
FOR 73171-4330

PART NUMBER: 73101-0120
ORDER NUMBER: 73171-4330
MOLEX
DATE: YYWW

THIS DRAWING CONTAINS INFORMATION THAT IS PROPRIETARY TO MOLEX ELECTRONIC TECHNOLOGIES, LLC AND SHOULD NOT BE USED WITHOUT WRITTEN PERMISSION

DIMENSION UNITS	SCALE	CURRENT REV DESC: ADD GENERAL TOLERANCE AND PACKING SPEC PER EWR #15651-A	molex		
INCH/MM	NTS				
GENERAL TOLERANCES (UNLESS SPECIFIED)			BNC JACK R/A PCB TH 75 OHMS DIE CAST EWR-2677		
4 PLACES	±	±	EC NO: 737090	PRODUCT CUSTOMER DRAWING	
3 PLACES	±	± 0.006	DRWN: RYEH 2020/03/24	DOCUMENT NUMBER	DOC TYPE DOC PART REVISION
2 PLACES	±	± 0.15 ± 0.012	CHK'D: YCHENG 2023/02/06	SD-73101-0120	PSD 001 B5
1 PLACE	±	± 0.3 ±	APPR: YCHENG 2023/02/06	MATERIAL NUMBER	CUSTOMER
0 PLACES	±	±	INITIAL REVISION:	SEE TABLE	GENERAL MARKET
ANGULAR TOL	±	± 2.0 °	DRWN: RFC_PLMIMP 2017/11/06	SHEET NUMBER	
DRAFT WHERE APPLICABLE MUST REMAIN WITHIN DIMENSIONS			APPR: JWIENER 2007/04/19	1 OF 1	
THIRD ANGLE PROJECTION			DRAWING	SERIES	
			C-SIZE	73101	