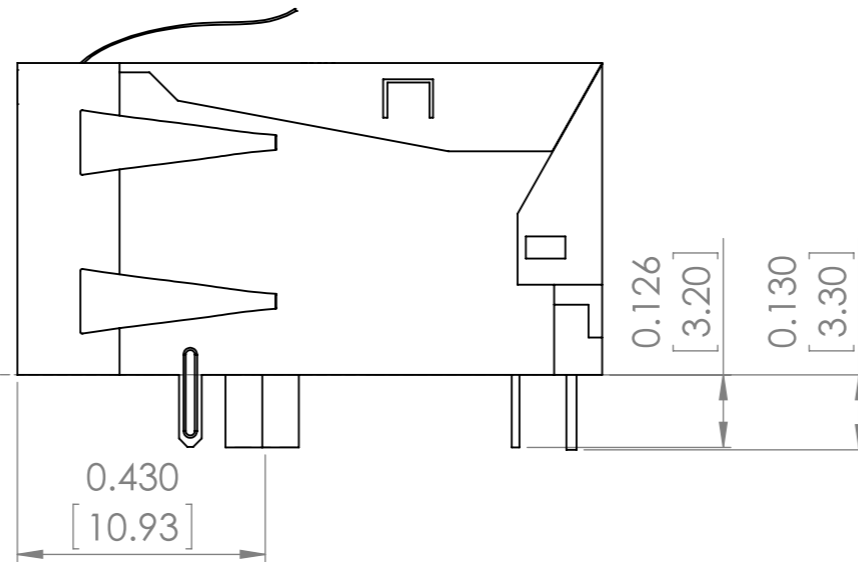
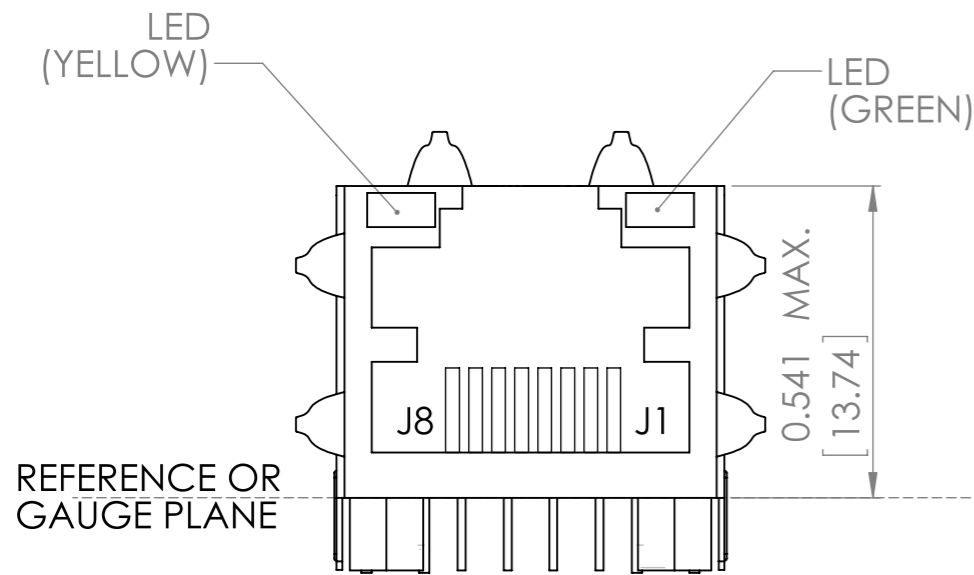
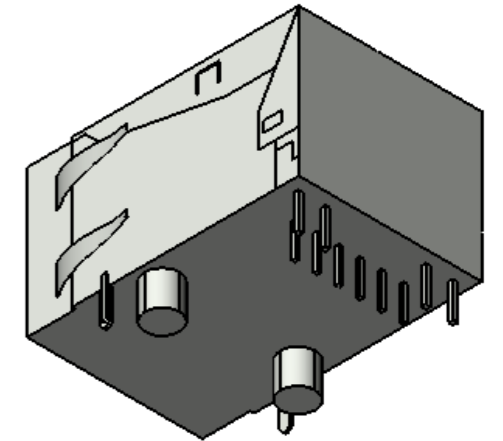



↑  
Chip Side

↓  
Cable Side

Recommended hole pattern  
Viewed from component side



DO NOT SCALE DRAWING		REVISION	-
 <b>ABRACON</b> LLC <small>The Power of Linking Together</small>			
Apracon LLC, 2 Faraday, Suite#B Irvine, Ca. 92618			
TITLE:		RJ45	
DWG NO.		ARJE-0028	
SCALE:3:1		A3	
		SHEET 1 OF 1	