

OEJ05SC1224I

1.5 Watt DC/DC Power Supply



FEATURES

Wide input 4:1
 Low noise
 Tight regulation $\pm 0.5\%$ MAX
 High Isolation Voltage

*Image for marketing purposes only-unit may differ

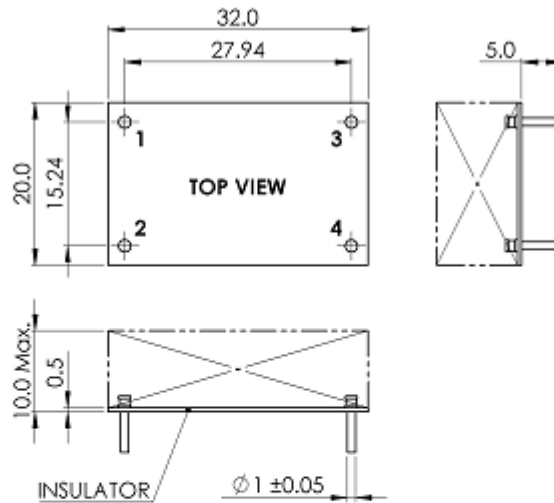


| | | UNIT | OEJ05SC1224I | |
|---------------|------------------------------|-------|---------------------------|--------------------------|
| INPUT | Nom Voltage (Range) | V | 24VDC 8~32 Vdc | |
| | Current Typ. | mA | 12mA Typ At no load | |
| | Start-up Time | ms | 10 ms | |
| | | UNIT | OEJ05SC1224I | |
| OUTPUT | Nominal Voltage | VDC | 5 VDC | |
| | OUTPUT VDC ACCURACY | % | 2% | @4.9~5.1Vdc @Vin=8~32Vdc |
| | Current | mA | 300 | |
| | Total Pwr | W | 1.5 | |
| | Efficiency | % | 83 TYP | @ Vin=24Vdc |
| | Line Regulation | % | $\pm 0.5\%$ MAX | At LL TO HL, Full Load |
| | Load Regulation | % | $\pm 0.5\%$ MAX | At 25%FL TO 100%FL |
| | Startup Time | ms | 10 ms | |
| | Ripple Noise | mVp-p | 100mVp-p MAX | |
| | Temp Coefficient | | 0.03%/°C MAX | |
| | Short circuit protect | Type | Continuous/ Auto-recovery | |
| | Cooling | | Convection | |



| | | | |
|--------------------|-----------------------|-----------------------|------------|
| ISOLATION | Voltage | 1500Vdc for 1 minute | |
| | Resistance | Min. 100 MΩ @ 500 Vdc | |
| | Operating temp | -20°C ~ +71°C | |
| Environment | Storage | -20°C ~ +85°C | |
| | Vibration | Mil-STD 202G | |
| | Humidity | 90 % | |
| Dimension | WxL/weight | m/gm | 32x20 /4.5 |

DIMENSIONS AND PINOUT



Unit : mm
Tolerance : XX.X ±0.5 , XX.XX ±0.25

PIN Assignment

| PIN | 1 | 2 | 3 | 4 |
|----------|------|------|-------|-------|
| FUNCTION | +Vin | -Vin | +Vout | -Vout |

