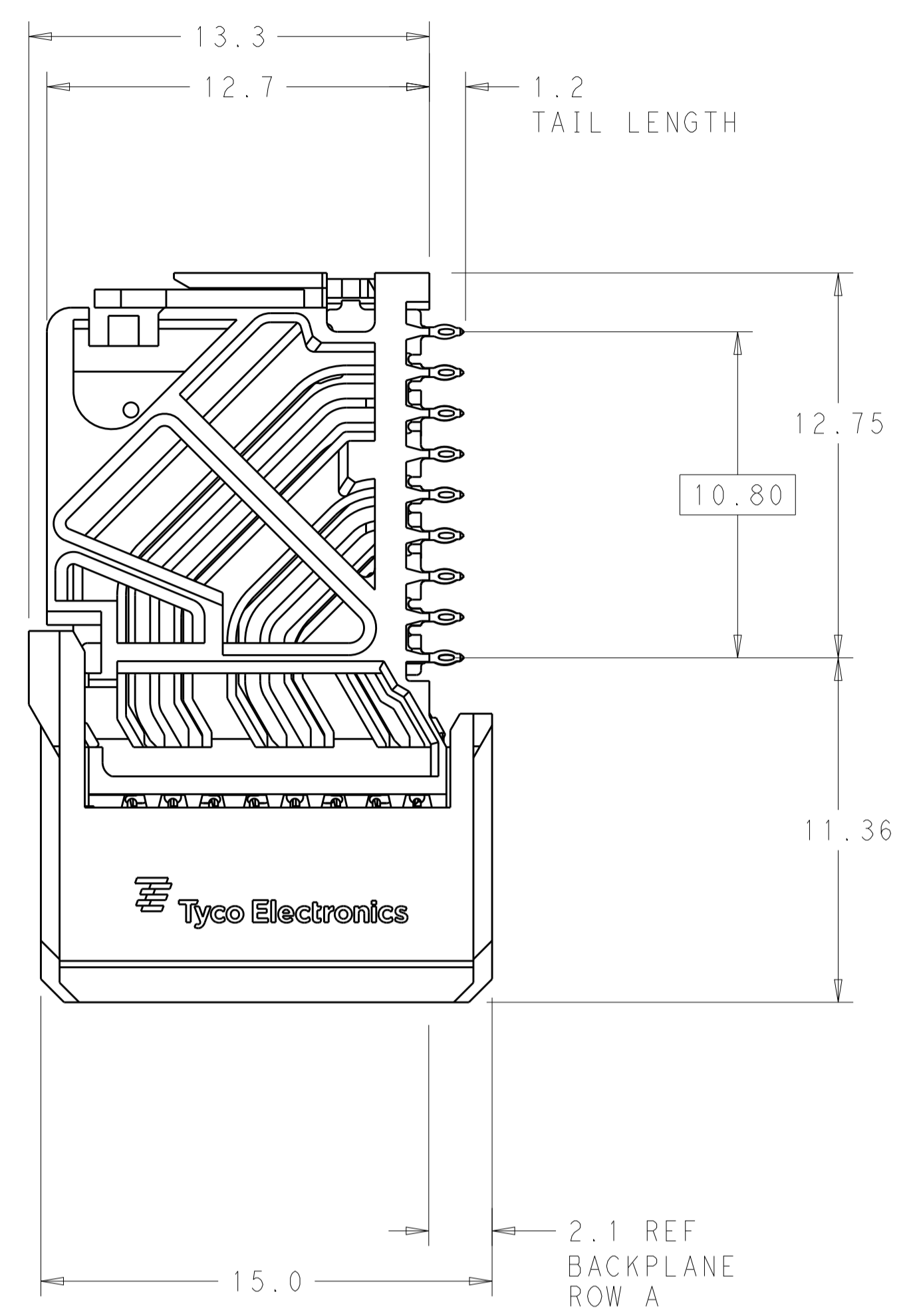
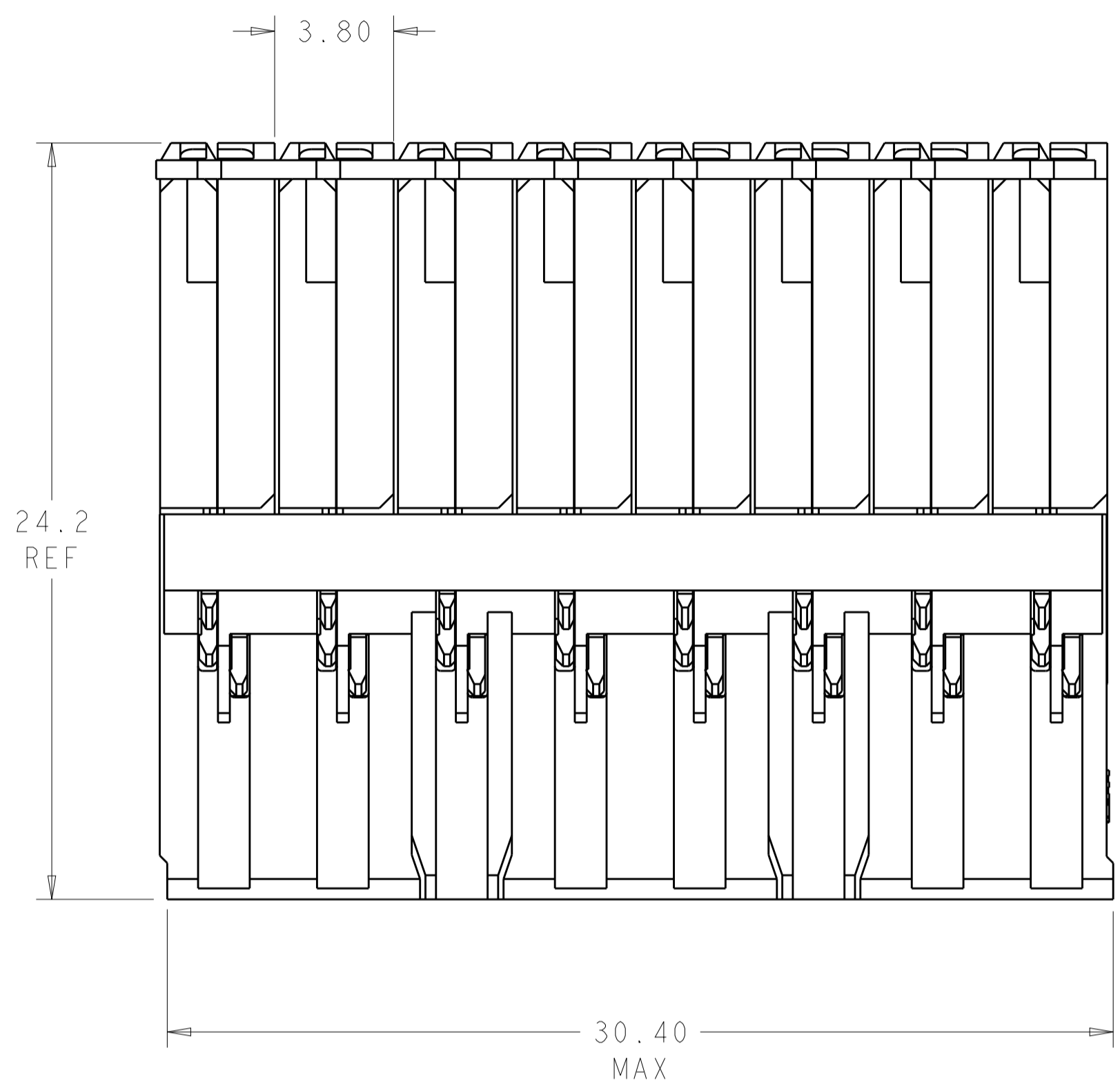
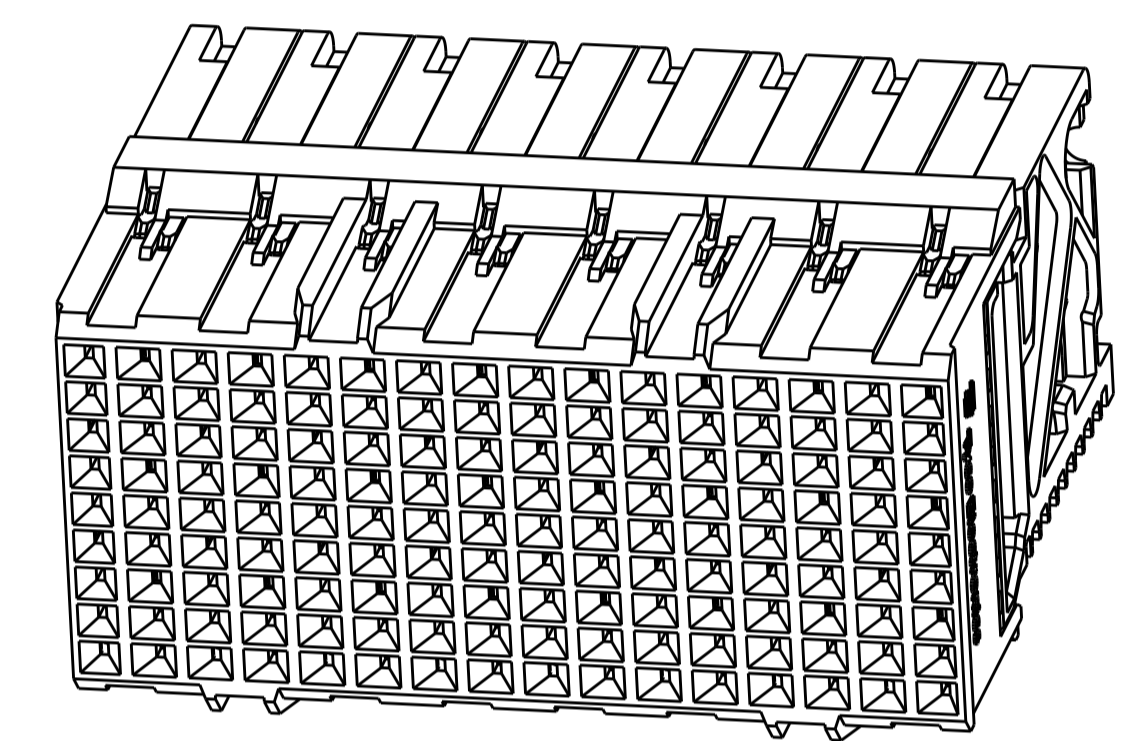


LOC		DIST		REVISIONS			
AD	00	P	LTN	DESCRIPTION	DATE	DWN	APVD
		E4		REVISED PER ECO-14-018035	11MAR2015	AP	DD



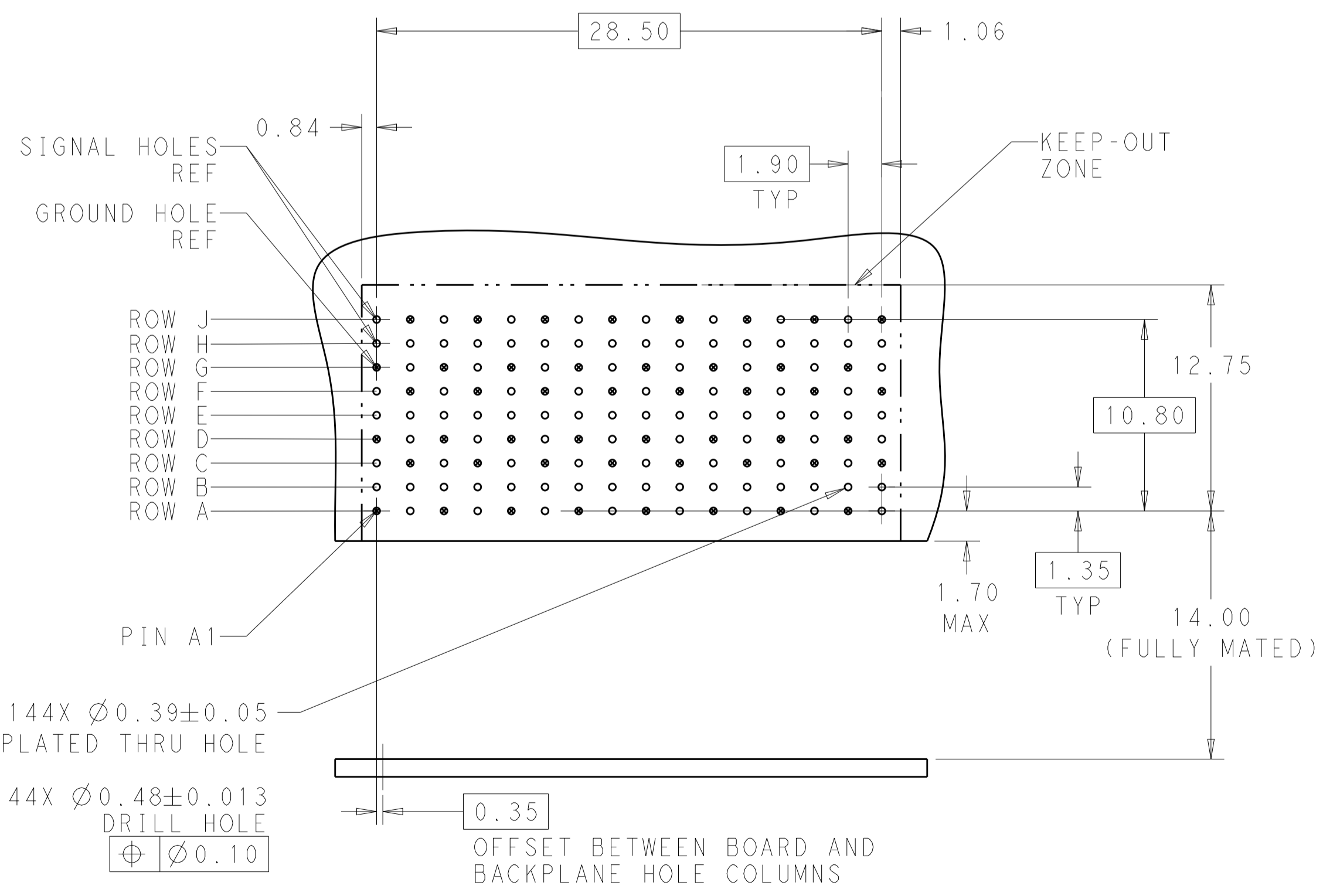
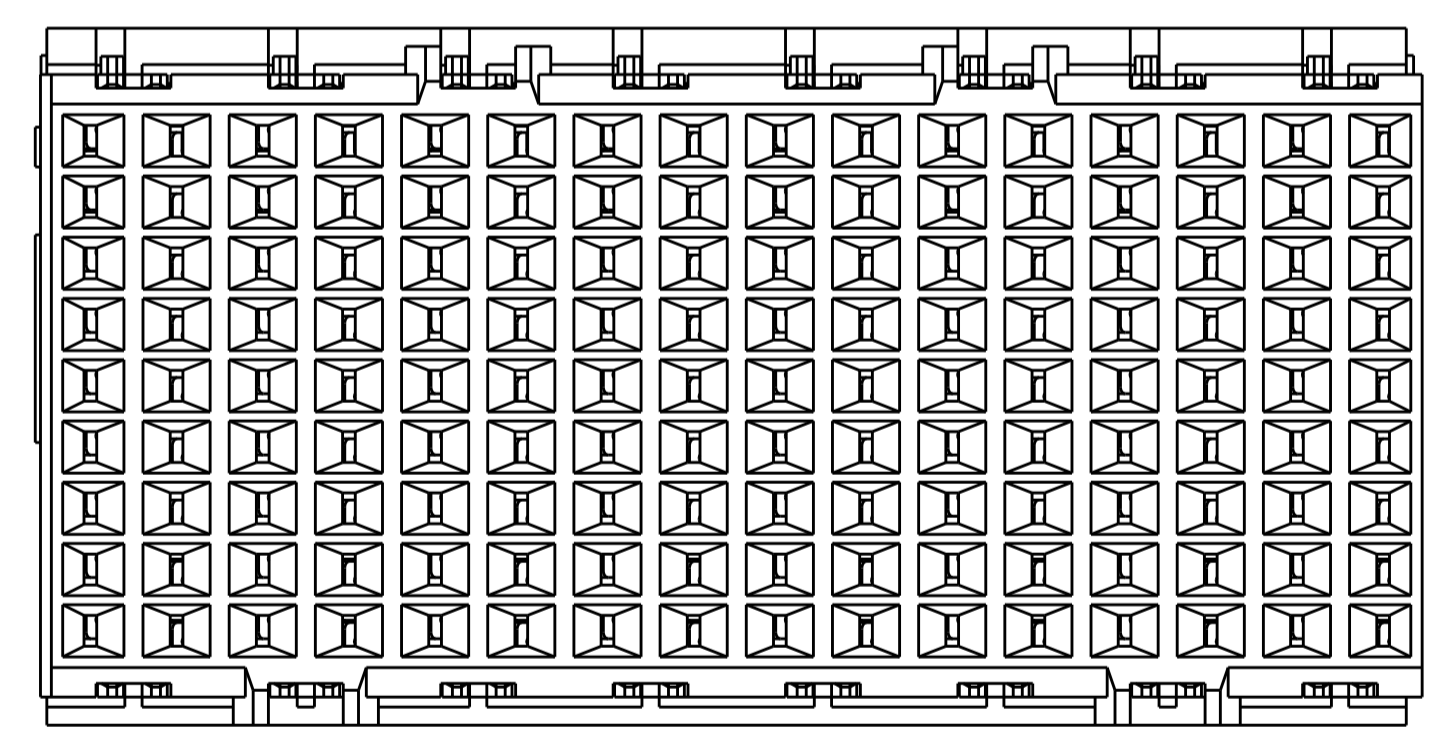
⚠ MATERIAL:  
 HOUSING: LCP, GLASS FILLED, UL94V-0.  
 TERMINALS: HIGH PERFORMANCE COPPER ALLOY.

⚠ FINISH:  
 30μ" SELECTIVE GOLD IN CONTACT AREA. SELECTIVE TIN  
 ON PCB TAILS, NICKEL OVERALL.



SCALE 4:1

REFER TO WWW.TE.COM  
 FOR PRODUCT AVAILABILITY



KEY POSITION CHART	
NONE	
A	E
B	F
C	G
D	H

144X Ø0.39±0.05  
 PLATED THRU HOLE

144X Ø0.48±0.013  
 DRILL HOLE

⊕ Ø0.10

RECOMMENDED PCB LAYOUT  
 MIN BOARD THICKNESS 1.0

THIS DRAWING IS A CONTROLLED DOCUMENT.		DWN 05APR2011	TE Connectivity	
DIMENSIONS: mm		CHK D. DIXON 05APR2011	NONE	
TOLERANCES UNLESS OTHERWISE SPECIFIED:		APVD D. DIXON 05APR2011	KEY POSITION	
0 PLC	±	NAME	FINISH	
1 PLC	±0.2	PRODUCT SPEC	PART NUMBER	
2 PLC	±0.13	APPLICATION SPEC	2007711-1	
3 PLC	±	SIZE	A100779C=2007711	
4 PLC	±	WEIGHT	SCALE 6:1 SHEET 1 OF 1 REV E4	
ANGLES	±	CUSTOMER DRAWING		
MATERIAL	SEE TABLE			