

F

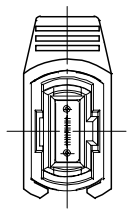
E

D

C

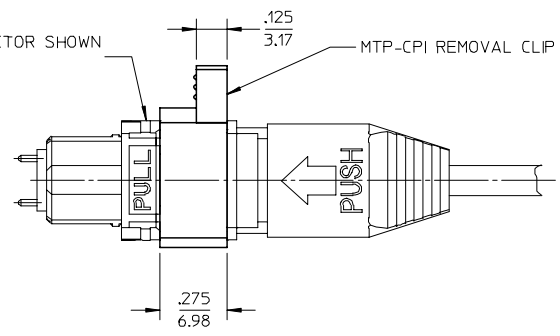
B

A

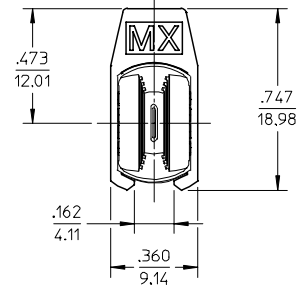


ISO VIEW 1
SCALE 4:1

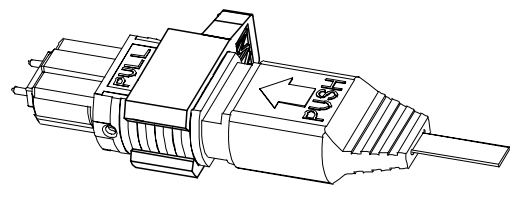
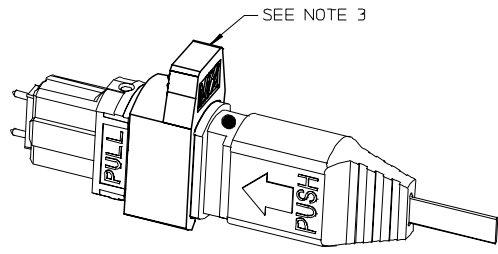
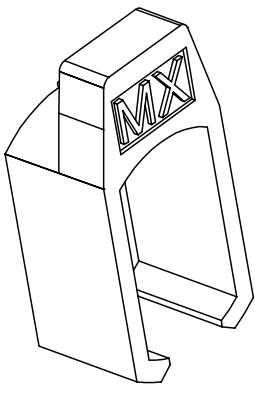
MALE MTP STANDARD CONNECTOR SHOWN
NOT PROVIDED



ISO VIEW 2



ISO VIEW 3



NOTES:

1. ALL DIMENSIONS ARE IN IN/MM.
2. ALL DIMENSIONS ARE FOR REFERENCE.
3. IN ORDER TO INSURE PROPER FUNCTIONALITY
SNAP MTP-CPI REMOVAL CLIP ONTO MTP CONNECTOR
AS SHOWN IN ISO VIEW 2.
4. MTP-CPI REMOVAL CLIP NEEDS TO BE INSTALLED ONTO
MTP CONNECTOR PRIOR TO INSERTING THE MTP CONNECTOR
INTO MTP-CPI CONNECTOR.

ENTER DESCRIPTION EC NO: MF2006-0261 DRWN: YBELEKLY 2006/01/03 CHKD: SMIGO 2006/01/04 APPR: IMAXHLIN 2006/01/04 A REV	QUALITY SYMBOLS ▽=0 ▽=0	GENERAL TOLERANCES (UNLESS SPECIFIED) <table border="1"> <thead> <tr> <th></th> <th>mm</th> <th>INCH</th> </tr> </thead> <tbody> <tr> <td>4 PLACES</td> <td>± .005</td> <td>± .0004</td> </tr> <tr> <td>3 PLACES</td> <td>± .005</td> <td>± .0004</td> </tr> <tr> <td>2 PLACES</td> <td>± .005</td> <td>± .0004</td> </tr> <tr> <td>1 PLACE</td> <td>± .005</td> <td>± .0004</td> </tr> <tr> <td colspan="3">ANGULAR ± .005°</td> </tr> </tbody> </table>		mm	INCH	4 PLACES	± .005	± .0004	3 PLACES	± .005	± .0004	2 PLACES	± .005	± .0004	1 PLACE	± .005	± .0004	ANGULAR ± .005°			DIMENSION STYLE IN/MM	SCALE 2:1	DESIGN UNITS INCH	THIRD ANGLE PROJECTION
		mm	INCH																					
	4 PLACES	± .005	± .0004																					
	3 PLACES	± .005	± .0004																					
2 PLACES	± .005	± .0004																						
1 PLACE	± .005	± .0004																						
ANGULAR ± .005°																								
		DRAWN BY YB	DATE 12.28.05	TITLE MTP-CPI REMOVAL CLIP																				
		CHECKED BY SM	DATE 12.28.05	MOLEX INCORPORATED																				
		APPROVED BY IM	DATE 12.28.05	MATERIAL NO. 1060880800	DOCUMENT NO. SD-106088-0800	SHEET NO. 1 OF 1																		

DRAFT WHERE APPLICABLE
MUST REMAIN
WITHIN DIMENSIONS

THIS DRAWING CONTAINS INFORMATION THAT IS PROPRIETARY TO MOLEX INCORPORATED AND SHOULD NOT BE USED WITHOUT WRITTEN PERMISSION