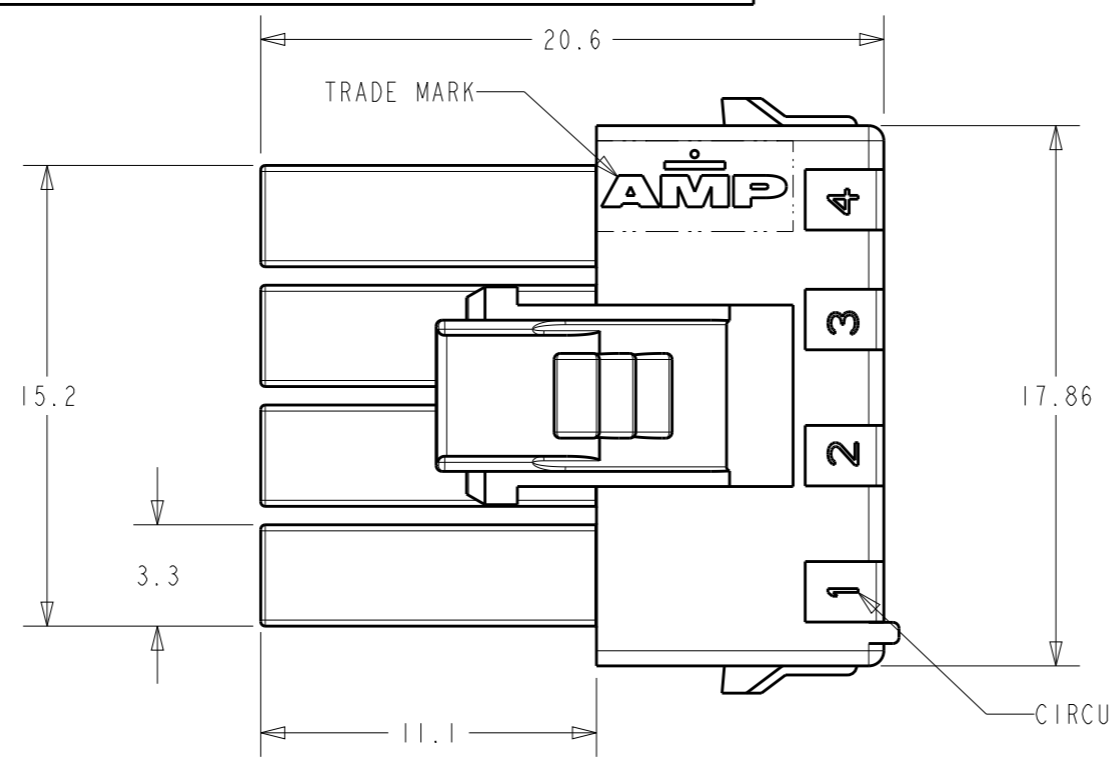
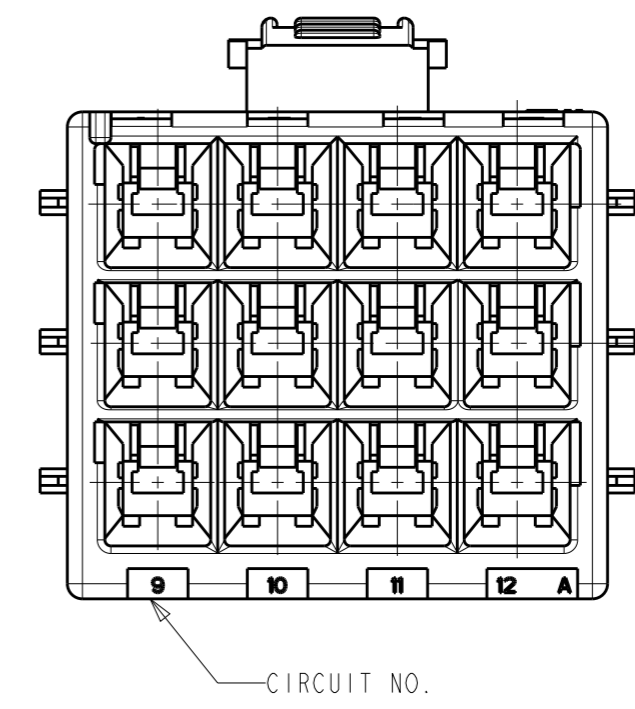
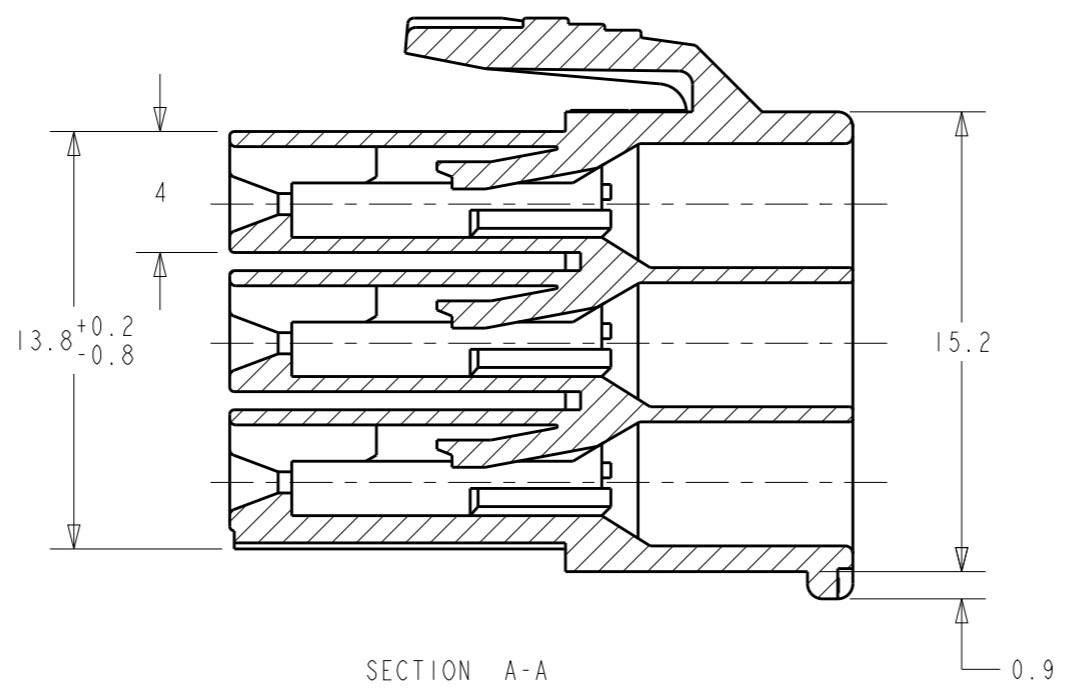
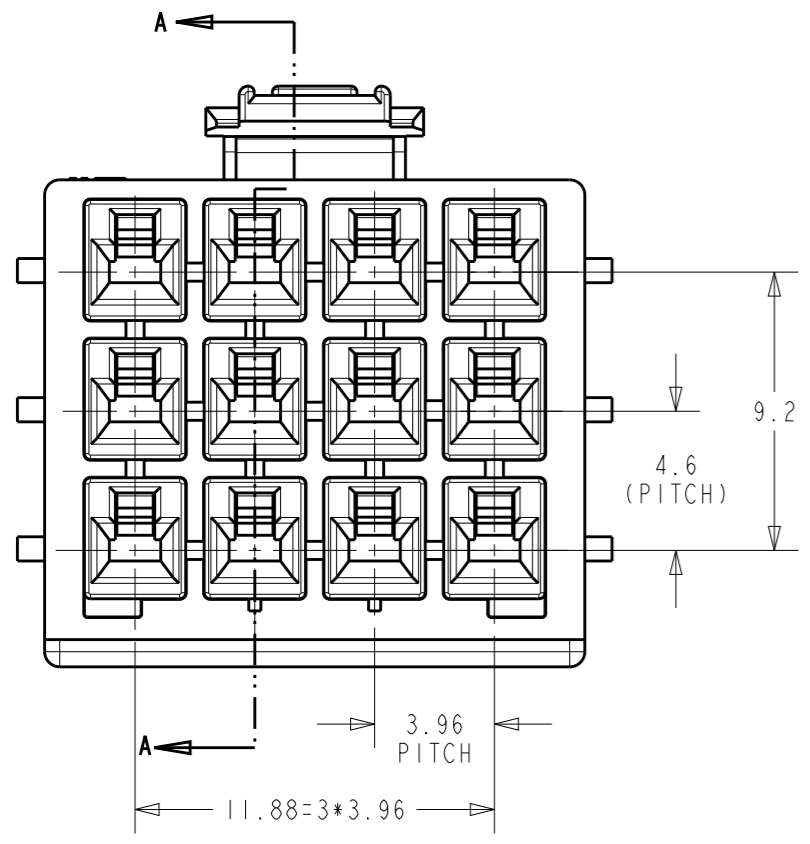


THIS DRAWING IS UNPUBLISHED. RELEASED FOR PUBLICATION 20
 © COPYRIGHT 2018 BY - TE CONNECTIVITY ALL RIGHTS RESERVED.

REVISIONS					
P	LTR	DESCRIPTION	DATE	DWN	APVD
B		REVISED PER ECR-19-009721	01JUL2019	M.G	D.Z



- 1 THIS HOUSING ACCEPTS RECEPTACLE TERMINAL:
 - REC CONTACT: 177915-□ (AWG #16-#20)
 : 177914-□ (AWG #22-#26)
- 2 MATING CONN. P/N
 - TAB CONTACT: 177917-□ (AWG #16-#20)
 : 177916-□ (AWG #22-#26)
- 3 APPLICABLE DOUBLE LOCK PLATE: 177920-1
 * IT SHOULD BE USED CERTAINLY WHEN CABLE ASS'Y
- 4 GENERAL TOLERANCES: ±0.3
- 5 MATERIAL: PA66, UL94V-0,
 COMPLY WITH GLOW WIRE REQUIREMENT FOR PARTS OF
 NON-METALLIC MATERIALSUPPORTING A CURRENT-CARRYING
 CONNECTION DETAILED IN IEC 60335-1, SECTION 30(GWT)



BLUE	2005255-6
YELLOW	2005255-4
NATURAL	2005255-1
COLOR	PART NUMBER

THIS DRAWING IS A CONTROLLED DOCUMENT.		DWN SC KIM	TE Connectivity				
DIMENSIONS: mm		CHK BW KANG				NAME PDL 12P PLUG HSG 3.96MM T/R (GWT)	
		APVD JK SONG	PRODUCT SPEC 108-5410				
		APPLICATION SPEC 114-5175					
MATERIAL 5		FINISH -	WEIGHT -	SIZE A3	CAGE CODE 00779	DRAWING NO C-2005255	RESTRICTED TO -
CUSTOMER DRAWING			SCALE 4:1	SHEET 1 OF 1	REV B		