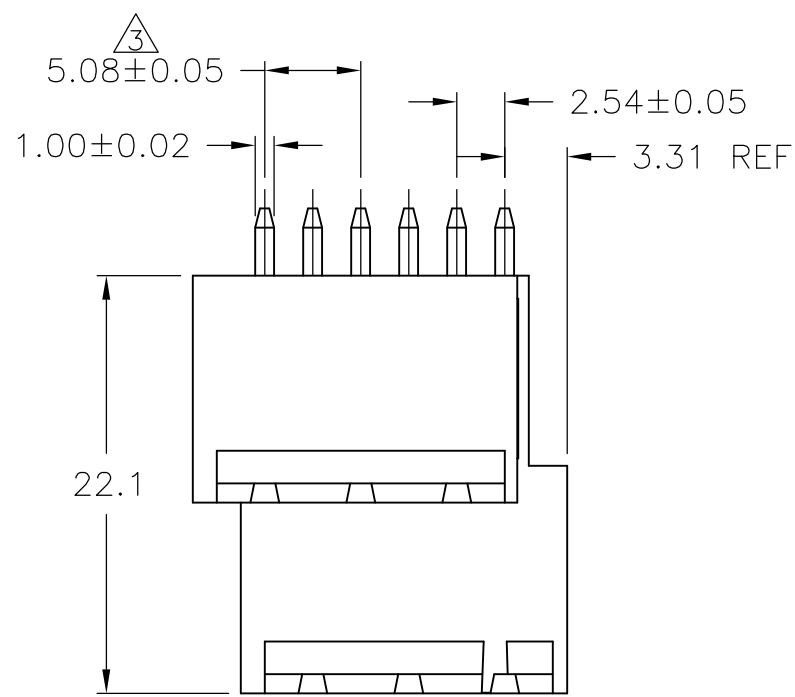
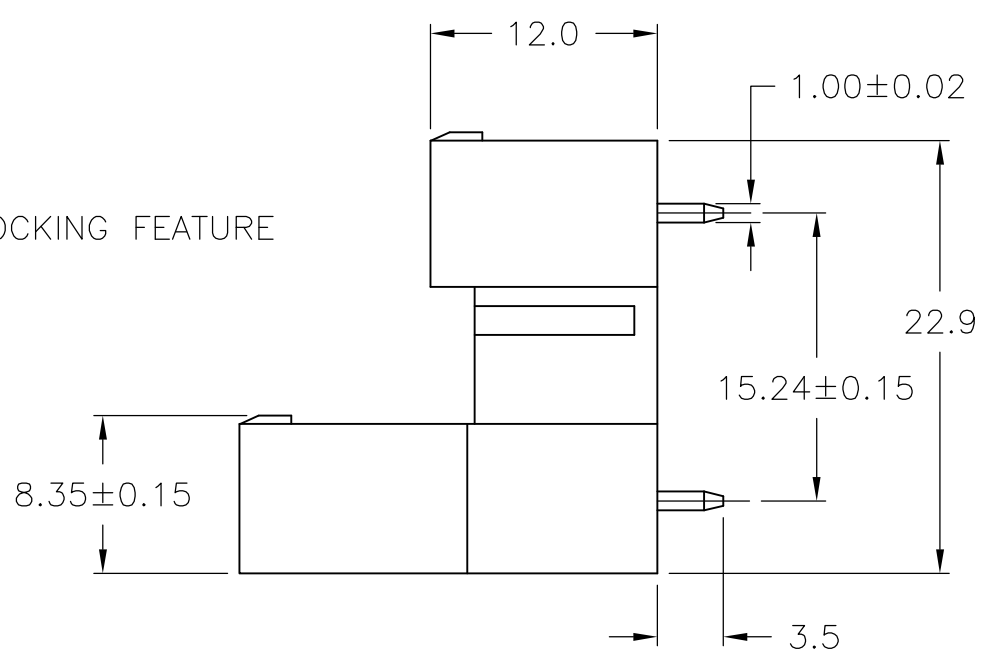
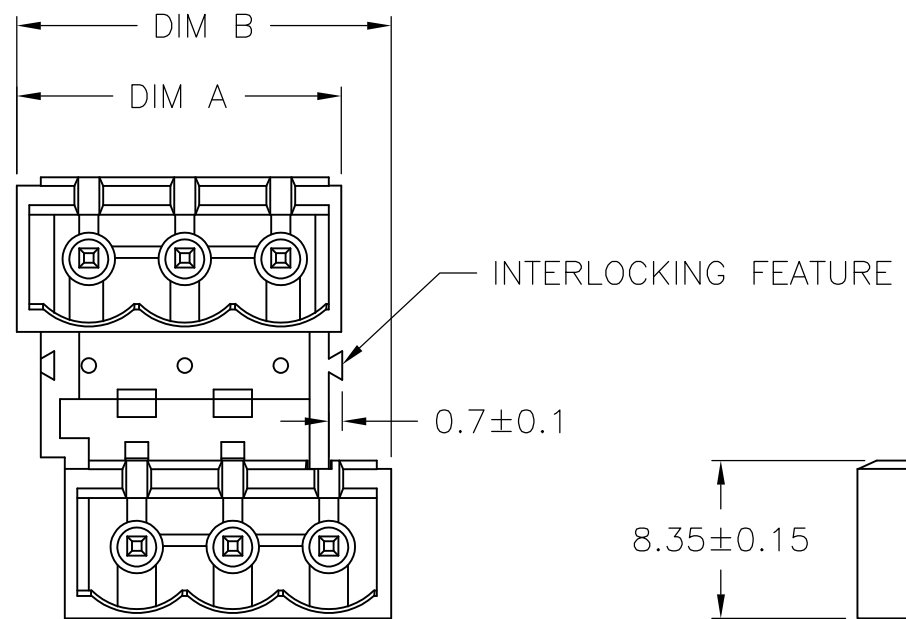


THIS DRAWING IS UNPUBLISHED. RELEASED FOR PUBLICATION
 © COPYRIGHT - BY TYCO ELECTRONICS CORPORATION. ALL RIGHTS RESERVED.

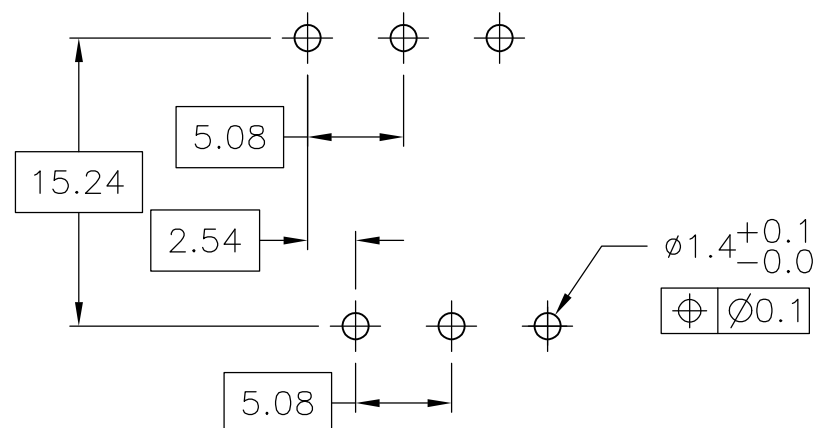
LOC		DIST		REVISIONS			
P	LTR	DESCRIPTION		DATE	DWN	APVD	
	1	-		1/30/08	SS	CR	



- 1 MATERIALS AND FINISH
 HOUSING: PA 6-6, UL 94-V0, COLOR: BLACK.
 TERMINAL: PHOSPHOR BRONZE, TIN PLATED.
- 2. SUITABLE FOR 1,6-2,4mm PC BOARD THICKNESS.
- 3 NOT CUMULATIVE TOLERANCE.



THIS PRINT IS
PRELIMINARY
 PRIOR TO CUSTOMER ORDER
 CONTACT PRODUCT ENGINEERING
 BEFORE USING THIS PRINT



RECOMMENDED PC BOARD LAYOUT

132.46	129.92	25	2-1986344-5
127.38	124.84	24	2-1986344-4
DIM B	DIM A	NO OF POS	PART NUMBER

THIS DRAWING IS A CONTROLLED DOCUMENT.		DWN S SCHLEGEL 30JAN2008	Tyco Electronics Corporation Harrisburg, PA 17105-3608	
DIMENSIONS: mm		CHK C RICHARD 1/30/08	NAME C RICHARD 1/30/08	
TOLERANCES UNLESS OTHERWISE SPECIFIED:		PRODUCT SPEC	TERMINAL BLOCK MULTIPLE HEADER 180 DEGREE, CLOSED ENDS 5.08mm PITCH	
0 PLC ± -		APPLICATION SPEC	SIZE	CAGE CODE
1 PLC ± 0.3			A3	00779
2 PLC ± 0.25			DRAWING NO	RESTRICTED TO
3 PLC ± -			C-1986344	-
4 PLC ± -		WEIGHT	SCALE 4:1 SHEET 1 OF 1 REV 1	
ANGLES ± 2'				
MATERIAL	FINISH	CUSTOMER DRAWING		
-	-			