

1. 製品名称 / PRODUCT NAME : 1.0 FPC CONN. ZIF SMT EMBOSSED TAPE PACKAGING

製品番号 / PART NUMBER : 5 2 2 0 7 - * * 3 3
 5 2 2 0 7 - * * 6 0
 5 2 2 0 7 - * * 8 5

(** は極数を示す。)
 (** SHOWS CIRCUITS SIZE.)

2. 標準梱包数 / STANDARD PACK QUANTITY

極 数 CKT. SIZE	キャリア テープ幅 (mm) CARRIER TAPE WIDTH (mm)	1 リール中の製品数 QTY. PER REEL	外装カートン SHIPPING CARTON	
			梱包リール数 NUMBER OF REELS	製品数 QUANTITY
3	16	1,000	8	8,000
4	24	1,000	6	6,000
5				
6				
7				
8				
9				
10	32	1,000	4	4,000
11				
12				
13				
14				
15				
16				

THIS DOCUMENT CONTAINS INFORMATION THAT IS PROPRIETARY TO MOLEX ELECTRONIC TECHNOLOGIES, LLC AND SHOULD NOT BE USED WITHOUT WRITTEN PERMISSION

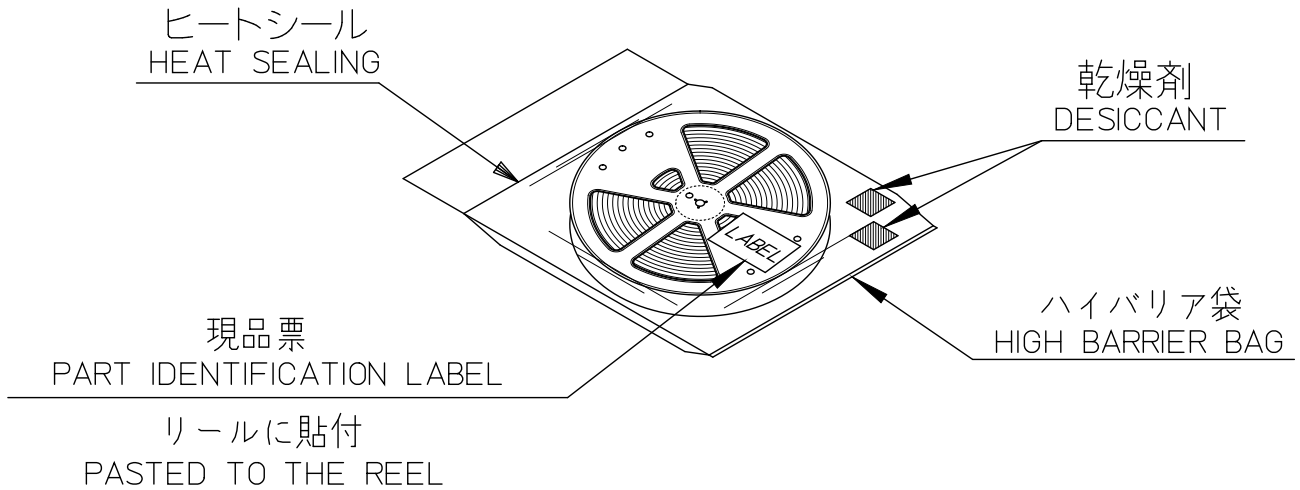
REVISION DESCRIPTION	REMOVED OBSOLETE PART NUMBER AS PER PCN#510808.			SALES PACKAGING SPEC. FOR 52207			
CHANGE NO.	736640						
REVISED BY	LIKITV	DATE	2023/01/31	DOC TYPE	DOC TYPE DESCRIPTION	DOC PART	SERIES
REV APPR BY	GGA	DATE	2023/02/16	PS	ENGINEERING SPECIFICATION WORD	001	52207
INITIAL RELEASE				CUSTOMER	DOCUMENT NUMBER	REVISION	SHEET
INITIAL DRWN	YTOKUZONO	DATE	2009/06/30	GENERAL	SPK-52207-002	E1	1 OF 3
INITIAL APPR	NUKITA	DATE	2009/07/01				

極 数 CKT. SIZE	キャリア テープ幅 (mm) CARRIER TAPE WIDTH (mm)	1 リール中の製品数 QTY. PER REEL	外装カートン SHIPPING CARTON	
			梱包リール数 NUMBER OF REELS	製品数 QUANTITY
17	44	1,000	3	3,000
18				
19				
20				
21				
22				
23				
24				
25				
26				
27				
28	56	1,000	3	3,000
29				
30				
34				

THIS DOCUMENT CONTAINS INFORMATION THAT IS PROPRIETARY TO MOLEX ELECTRONIC TECHNOLOGIES, LLC AND SHOULD NOT BE USED WITHOUT WRITTEN PERMISSION

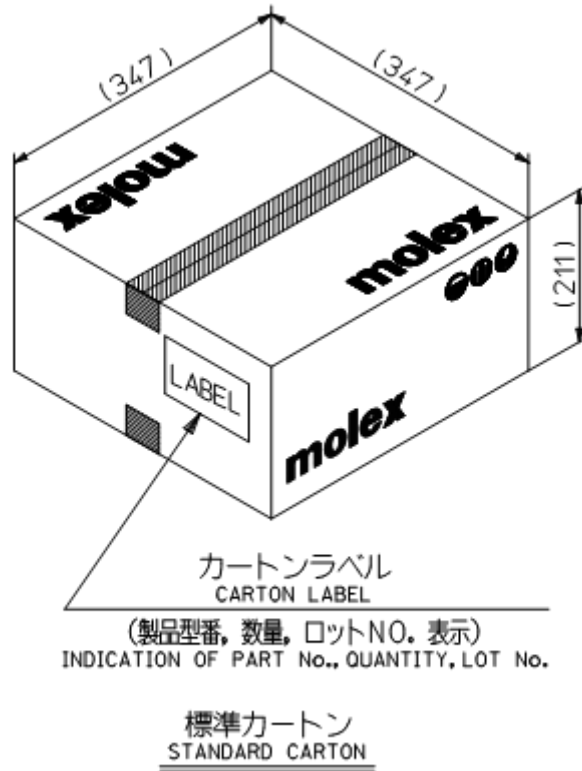
REVISION DESCRIPTION	REMOVED OBSOLETE PART NUMBER AS PER PCN#510808.			SALES PACKAGING SPEC. FOR 52207			
CHANGE NO.	736640						
REVISED BY	LIKITV	DATE	2023/01/31	DOC TYPE	DOC TYPE DESCRIPTION	DOC PART	SERIES
REV APPR BY	GGA	DATE	2023/02/16	PS	ENGINEERING SPECIFICATION WORD	001	52207
INITIAL RELEASE				CUSTOMER	DOCUMENT NUMBER	REVISION	SHEET
INITIAL DRWN	YTOKUZONO	DATE	2009/06/30	GENERAL	SPK-52207-002	E1	2 OF 3
INITIAL APPR	NUKITA	DATE	2009/07/01				

3. ハイバリア袋への梱包方法及びラベル貼付位置 / PACKAGING METHOD FOR HIGH BARRIER BAG AND LABEL POSITION



4. カートン外形参考寸法 / CARTON OUTER DIMENSIONS (REFERENCE PURPOSE ONLY)

単位 / UNIT: mm



THIS DOCUMENT CONTAINS INFORMATION THAT IS PROPRIETARY TO MOLEX ELECTRONIC TECHNOLOGIES, LLC AND SHOULD NOT BE USED WITHOUT WRITTEN PERMISSION

REVISION DESCRIPTION	REMOVED OBSOLETE PART NUMBER AS PER PCN#510808.			SALES PACKAGING SPEC. FOR 52207			
CHANGE NO.	736640						
REVISED BY	LIKITV	DATE	2023/01/31	DOC TYPE	DOC TYPE DESCRIPTION	DOC PART	SERIES
REV APPR BY	GGA	DATE	2023/02/16	PS	ENGINEERING SPECIFICATION WORD	001	52207
INITIAL RELEASE				CUSTOMER	DOCUMENT NUMBER	REVISION	SHEET
INITIAL DRWN	YTOKUZONO	DATE	2009/06/30	GENERAL	SPK-52207-002	E1	3 OF 3
INITIAL APPR	NUKITA	DATE	2009/07/01				