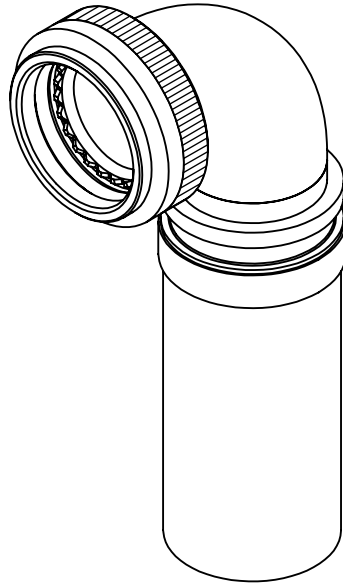


REVISIONS



70H3-15-08-1-C-SE

SERIES
 CONNECTOR INTERFACE
 ANGLE (3-90°)
 SHELL SIZE (TABLE 1)
 ENTRY SIZE (TABLE 2)
 MATERIAL
 FINISH
 SWEPT ELBOW STYLE

NOTES:


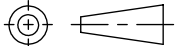
1. THIS PRODUCT IS DESIGNED TO TERMINATE A BRAIDED CABLE SHIELD WITH A HEAT SHRINKABLE LIPPED BOOT TO A CONNECTOR.
2. BACKSHELL TO BE PERMANENTLY MARKED/ BAGGED AND LABELLED WITH PART NUMBER AND BATCH NUMBER. (e.g. 70H3-15-08-1-C-SE P123456)
3. AVAILABLE ENTRY SIZES ARE SHOWN IN TABLE 1. FOR ALTERNATIVE ENTRY SIZES, PLEASE CONTACT DESIGN AUTHORITY.
4. BACKSHELL MATES TO MIL-DTL-38999 SERIES III & IV

RELEASED FOR PUBLICATION

ALL RIGHTS RESERVED.

THIS DRAWING IS UNPUBLISHED.

© COPYRIGHT 20 BY

DIMENSIONS: MILLIMETERS	DWN: C.WALLACE 04/05/2021	MATERIAL: SEE SS0076	FINISH: SEE SS0076
	CHK:	 TE Connectivity	
TOLERANCES UNLESS OTHERWISE SPECIFIED:	APVD: M.PAUL 04/05/2021		
GENERAL TOL LINEAR ±0.25MM ANGULAR ±1°	PRODUCT SPEC: -	NAME: BRAID TAIL BACKSHELL, SWEPT ELBOW 90DEG	
	APPLICATION SPEC: -	SIZE A4	CAGE CODE U5792
	WEIGHT:	DRAWING NO C-P46887	RESTRICTED TO
	CUSTOMER DRAWING	SCALE 1:1	SHEET 1 OF 2
		REV AA	

REVISIONS

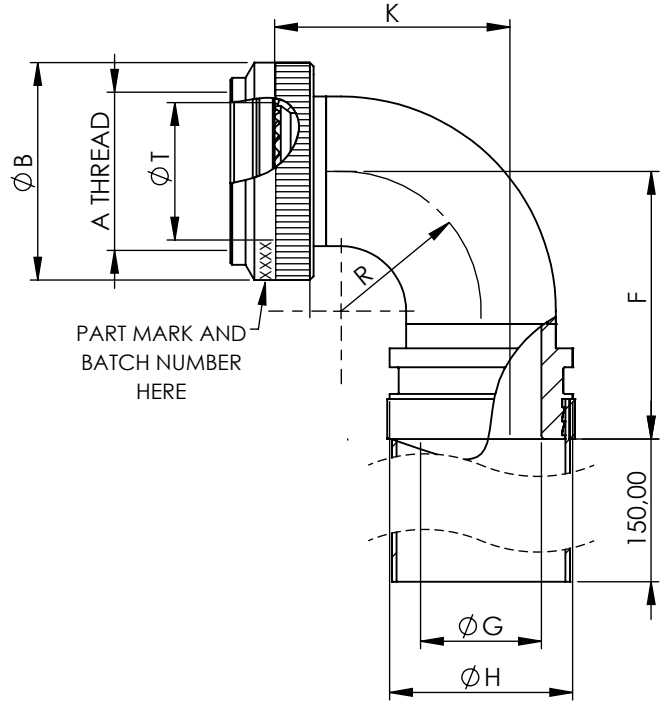
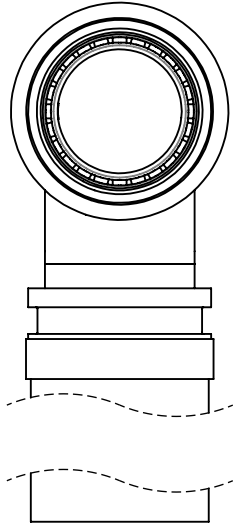


TABLE 1

SHELL SIZE	A THREAD	ØB MAX	K MAX	F MAX	R REF.	ØT MIN	ENTRY SIZES
09	M12 x 1.0	18,0	19,2	26,9	9,0	6,7	04
11	M15 x 1.0	21,0	22,4	30,1	12,2	10,2	04, 05
13	M18 x 1.0	24,5	25,6	33,3	15,4	13,5	06, 07
15	M22 x 1.0	29,0	28,7	36,4	18,5	16,2	07, 08
17	M25 x 1.0	32,5	31,9	39,6	21,7	19,4	08, 10
19	M28 x 1.0	35,5	35,1	42,8	24,9	21,8	10, 12
21	M31 x 1.0	37,0	38,3	46,0	28,1	25,1	12, 14
23	M34 x 1.0	40,0	41,4	49,1	31,2	28,2	14, 16
25	M37 x 1.0	43,5	44,6	52,3	34,4	31,4	16, 18

TABLE 2


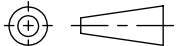
ENTRY SIZE	ØG MIN	ØH MAX
04	6,35	13,60
05	7,92	13,60
06	9,52	18,40
07	11,12	18,40
08	12,70	18,40
10	15,87	24,70
12	19,05	24,70
14	22,23	31,10
16	25,40	31,10
18	28,60	33,70

RELEASED FOR PUBLICATION

ALL RIGHTS RESERVED.

THIS DRAWING IS UNPUBLISHED.

© COPYRIGHT 20 BY

DIMENSIONS: MILLIMETERS	DWN: C.WALLACE 04/05/2021	MATERIAL: SEE SS0076	FINISH: SEE SS0076
	CHK:	 TE Connectivity	
TOLERANCES UNLESS OTHERWISE SPECIFIED:	APVD: M.PAUL 04/05/2021		
GENERAL TOL LINEAR ±0,25MM ANGULAR ±1°	PRODUCT SPEC:	NAME:	
	APPLICATION SPEC:	BRAID TAIL BACKSHELL, SWEEP ELBOW 90DEG	
	WEIGHT:	SIZE	RESTRICTED TO
	CUSTOMER DRAWING	A4 U5792	DRAWING NO C=P46887
SCALE 1:1		SHEET 2 OF 2	REV AA