

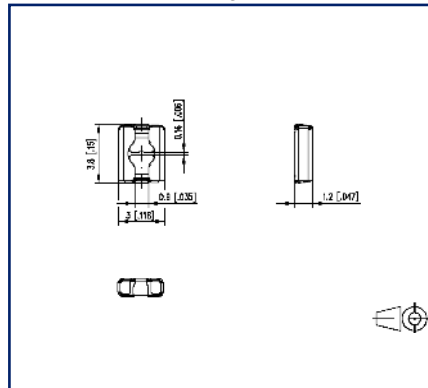
# Data sheet

## SM02V01VXNN01G1 15-inch Reel solder pad/component side

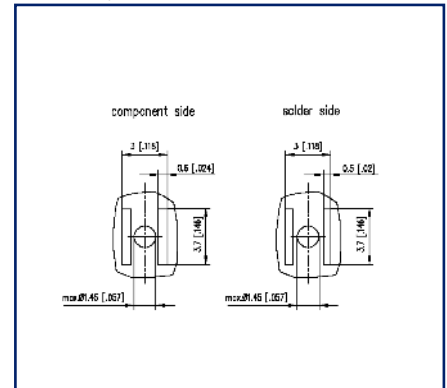
### Illustrations



Dimensional drawing



PCB-Layout



See enlarged drawings at the end of document

### Product specification

- spring clamp terminal block, SMT solderable
- one-way contact
- direction of connection vertical 0°
- Tape & Reel packaging

## Technical Data

### General Data

min. number of poles	1
max. number of poles	1
Protection category	IP00
Min. insul. strip length	4 mm
Rated current	4 A

### Terminal data

rat.wiring solid AWGmax	0.25 mm <sup>2</sup> - 0.5 mm <sup>2</sup> / AWG 24 - AWG 20
-------------------------	--

### Material

contact material	CuBe
Contact surface	Ni + Sn

### Climatic Data

upper limit temperature	150 °C
lower limit temperature	-40 °C

### general

Tolerance	ISO 2768 -mH
Solderability	Acc. to IPC/JEDEC J-STD-020D-MSL 1

### Sicherheitshinweis

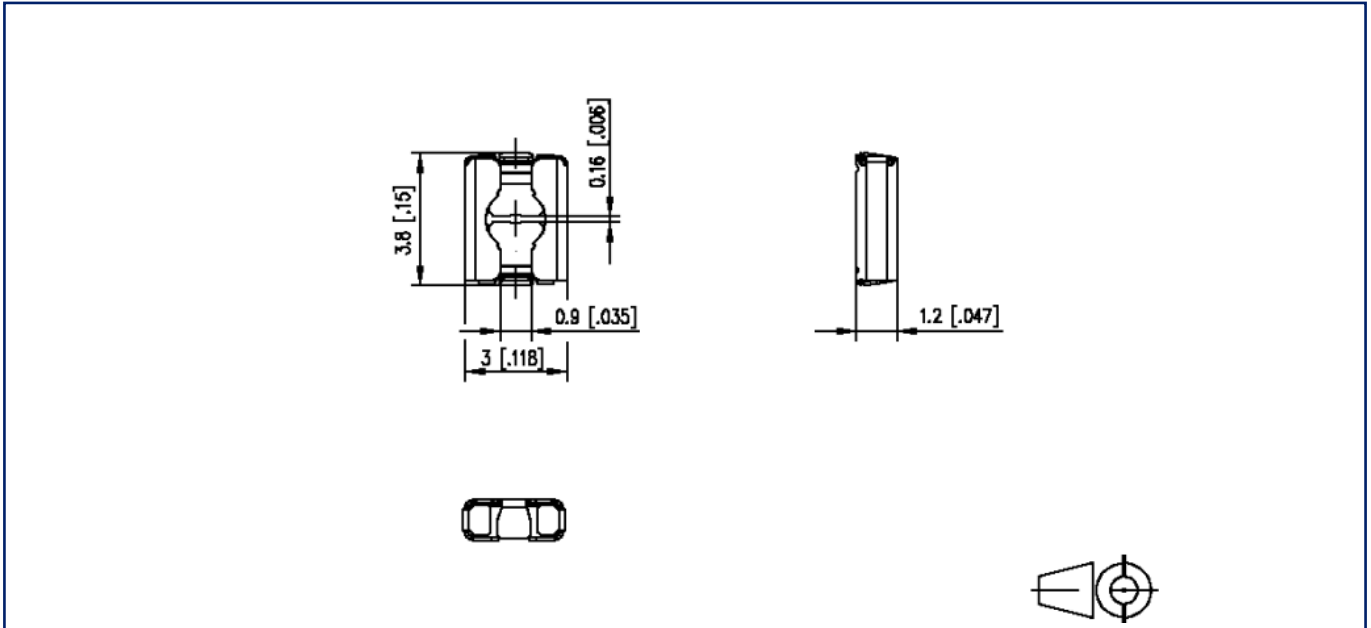
Safety instructions	Components have to be fixed in a way to prevent any transmission of forces on to the contact. Components with more than one pin are recommended.
---------------------	--

### General information

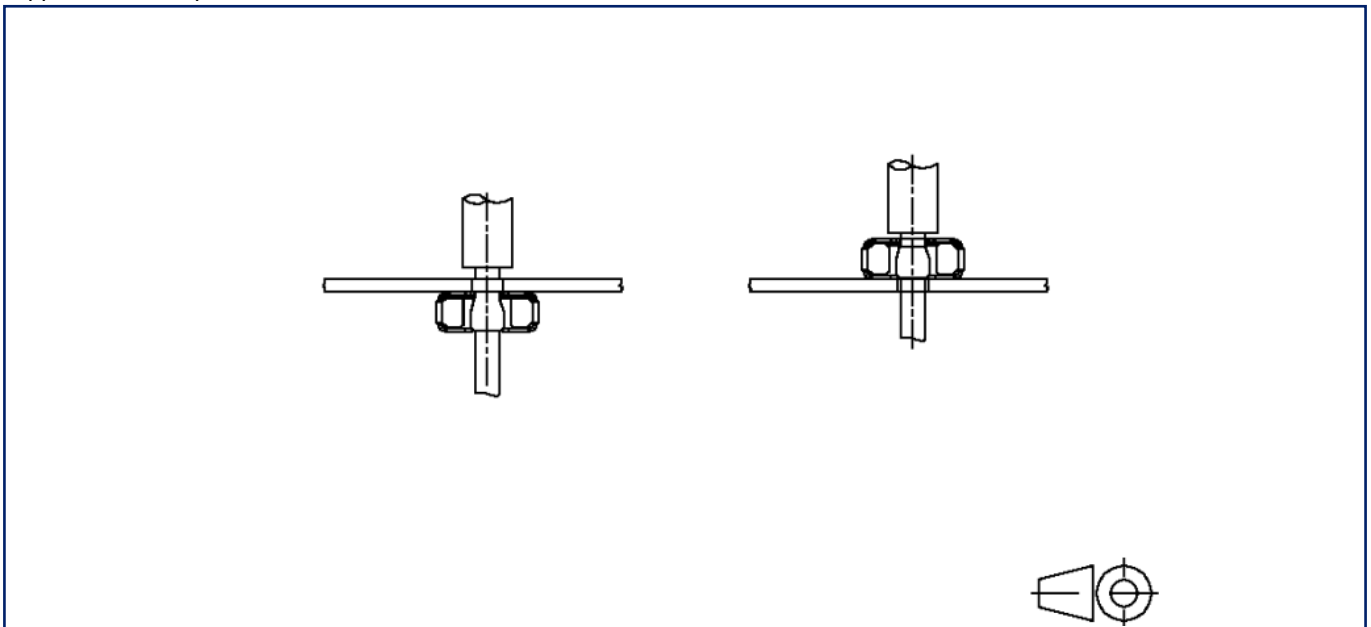
General information	Technical data were determined with round copper wires.
---------------------	---

**Illustrations**

Dimensional drawing

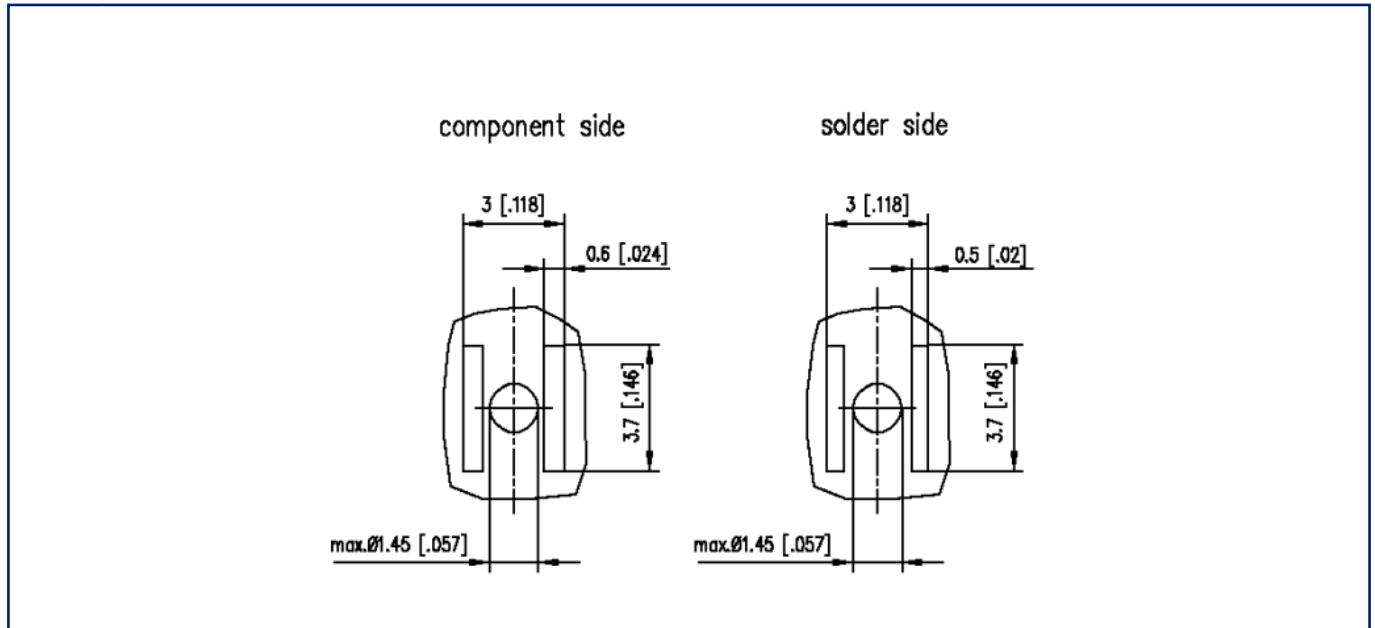


Application example



**Illustrations**

PCB-Layout



# U | Contact

Data sheet

Page 5/5

**SM02V01VXNN01G1 15-inch Reel solder pad/component side**

P/N  
ASM02V0108-1G16

2023/06/28

Version: O

## Illustrations