

SPECIFICATIONS

Insulation Resistance:	1,000MΩ min. at 500V DC
Withstanding Voltage:	500V ACrms for 1 minute
Contact Resistance:	100mΩ at 1mA / 20mV max.
Voltage Rating:	5V DC
Current Rating:	0.5A max.
Operating Temp. Range:	-30°C to +85°C
Mating Cycles:	100

MATERIALS AND FINISH

Insulator:	LCP
Contact:	Copper Alloy, Ni-Au

FEATURES

- Automatic locking function after insertion of SD card
- 2-point contact installation on all contact-terminals to ensure die-electric discontinuity prevention which may be caused by vibration and impact
- Zero sliding contact @100G shock (X Y Z direction)
- Metal shell cover with 4 GNDs (Solder tubs) to ensure EMI/ESD prevention performance
- RoHS2011/65/EU

PART NUMBER

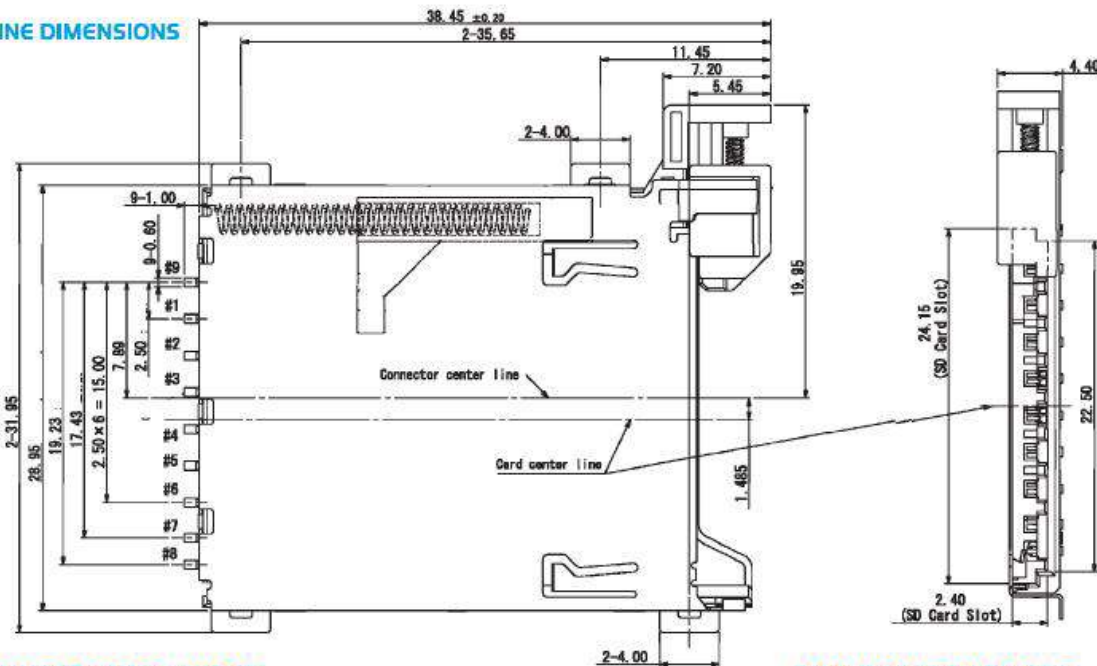
FPS 009 - 4200-0



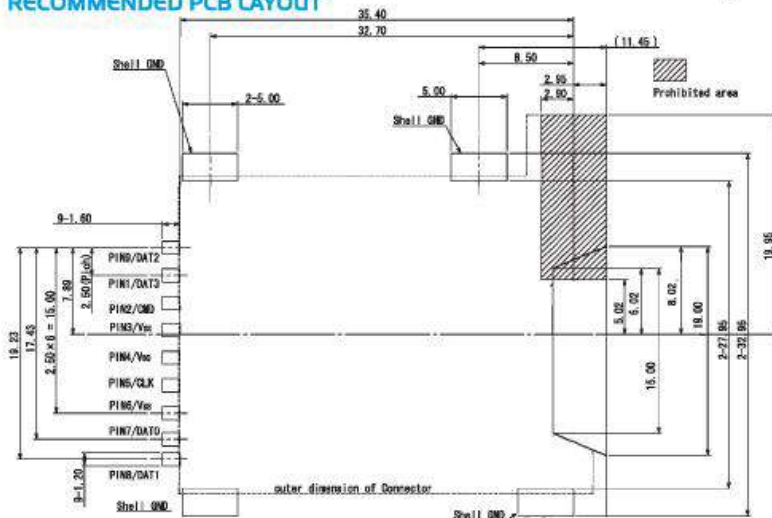
AUTOMOTIVE COMPLIANT



OUTLINE DIMENSIONS



RECOMMENDED PCB LAYOUT



CARD INSERTION DETAILS

