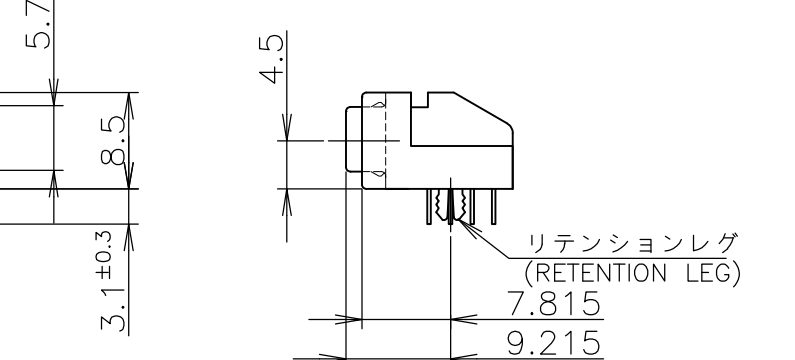
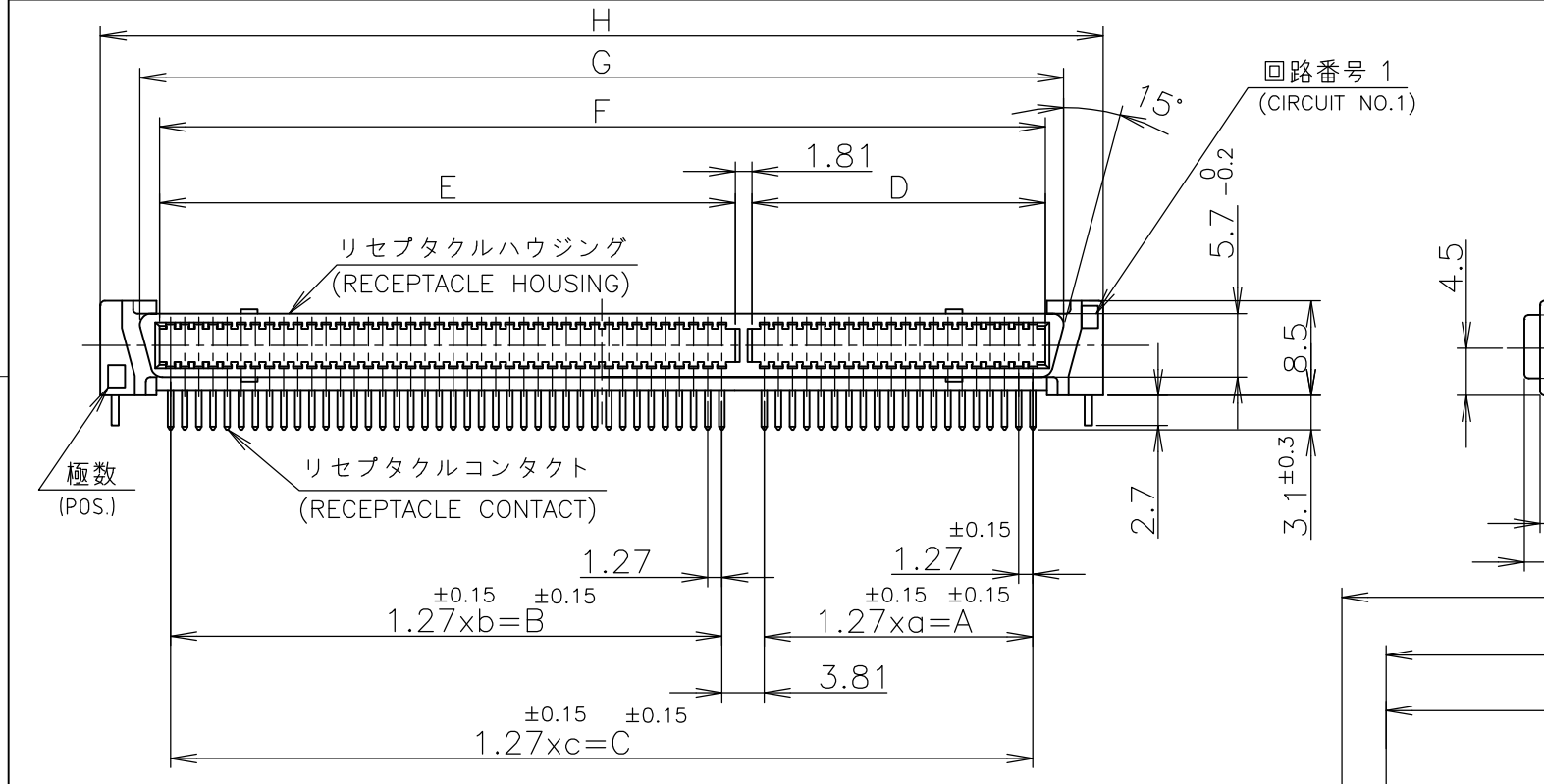
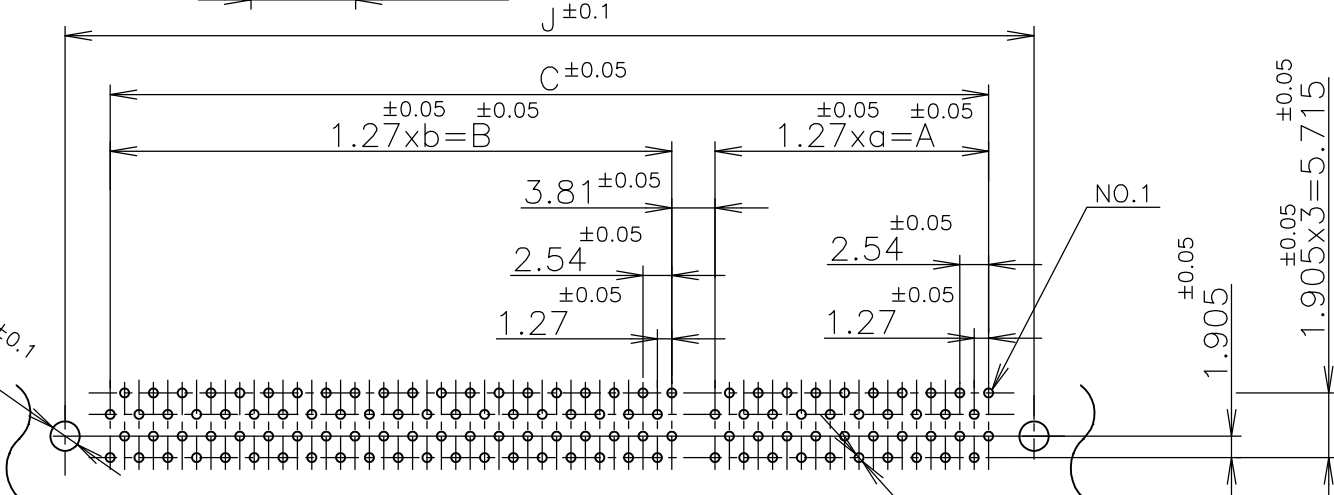
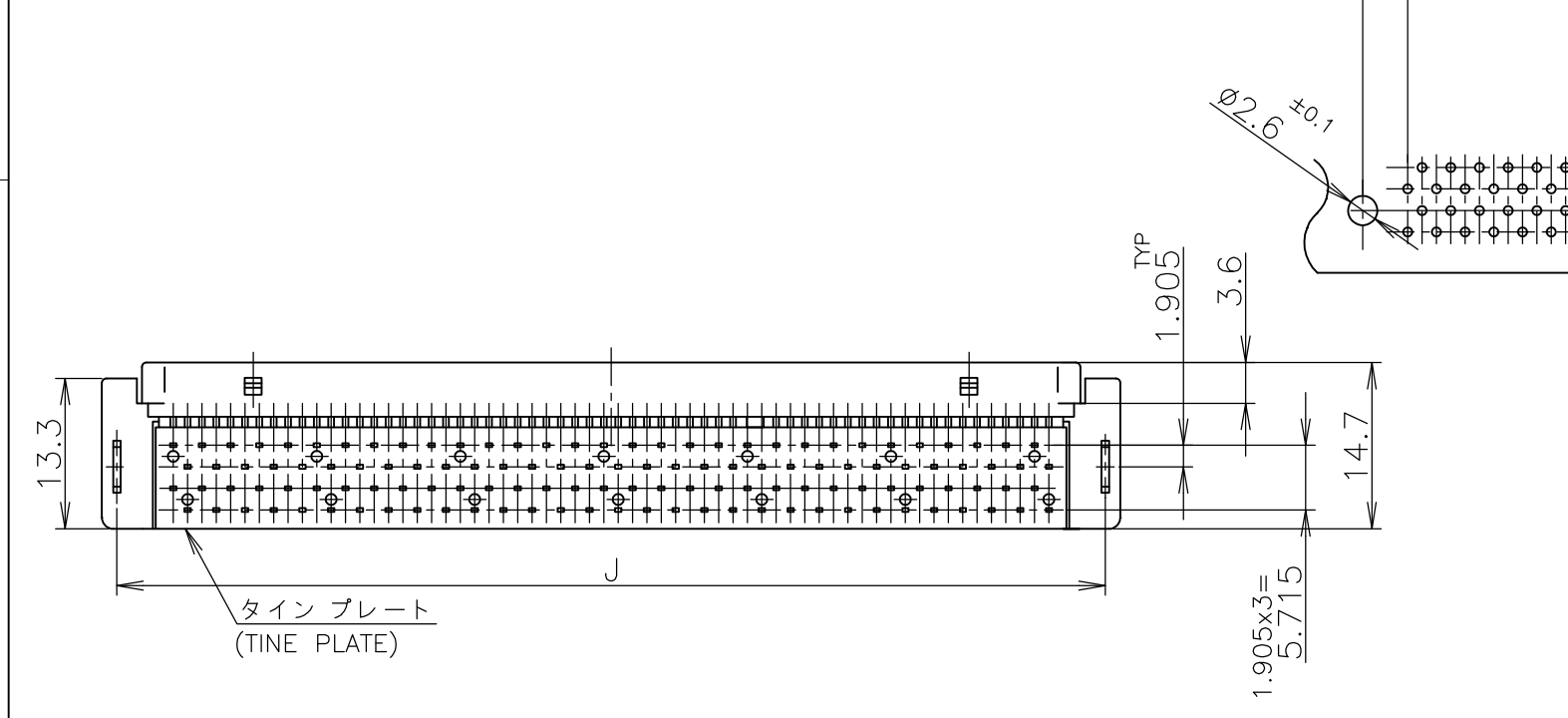


THIS DRAWING IS UNPUBLISHED. RELEASED FOR PUBLICATION AUG, 1989.
 © COPYRIGHT 1989 BY TYCO ELECTRONICS CORPORATION. ALL INTERNATIONAL RIGHTS RESERVED.

| LOC | DIST | REVISIONS | | | | | |
|-----|------|-----------|-----|--------------------------|---------|-----|------|
| | | P | LTR | DESCRIPTION | DATE | DWN | APVD |
| J | — | D | | REACTIVATE ECR-09-024354 | 06NOV09 | T.T | T.M |



- ① 材料: *ハウジング; ガラス入り66ナイロン (UL 94V-0) 色、黒。
*コンタクト: 燐青銅。
*リテンションレグ: 黄銅。
- ② 表面仕上げ;
*コンタクト: 全面 1.3μm以上のニッケル下地めっきに接触部0.3μm以上の金めっき、脚部 1μm以上の半田めっき
*リテンションレグ: 1μm以上のニッケル下地めっきに1μm以上の半田めっき



基板仕様 P.C.BOARD LAYOUT (コネクタ装着側) (CONNECTOR MOUNT SIDE)

—*; AS SHOWN

| | | | | | | | | | | | | | | | | | | | |
|------|---|---|---|---|----|-------|---|---|-------|-------|-------|------|----------|--|--|--|--|--|--|
| | | | | | | | | | | | | | | | | | | | |
| 100 | # | # | # | # | 49 | 62.23 | # | # | 64.23 | 67.32 | 74.85 | 72.2 | 176379-4 | | | | | | |
| POS. | a | A | b | B | c | C | D | E | F | G | H | J | P/N | | | | | | |

- ① MATERIAL; HOUSING: GLASS FILLED 66NYLON (UL94V-0) BLACK
CONTACT: PHOSPHOR-BRONZE
RETENTION LEG: BRASS.
- ② FINISH; CONTACT: 0.3μm MIN. Au AT CONTACT AREA, 1μm MIN. TIN-LEAD AT TINE, OVER Ni
RETENTION LEG: 1μm MIN. TIN-LEAD, OVER Ni

GENERAL TOLERANCE 一般公差

| |
|----------------------------------|
| 10 ≥ ± 0.2 |
| 30 ≥ > 10: ± 0.25 |
| 100 ≥ > 30: ± 0.3 |
| ANGLES: $\pm 3^\circ$ |

THIS DRAWING IS A CONTROLLED DOCUMENT.

| | |
|----------------------|---|
| DIMENSIONS: 単位: 耗 mm | TOLERANCES UNLESS OTHERWISE SPECIFIED: 一般公差 |
| 0 PLC ± - | 1 PLC ± - |
| 2 PLC ± - | 3 PLC ± - |
| 4 PLC ± - | ANGLES ± - |
| MATERIAL 材料 | FINISH 仕上 |

THIS DRAWING IS A CONTROLLED DOCUMENT.

| | |
|--------------------------|---|
| DWN T.NIWA 07AUG1989 | Tyco Electronics Corporation Kawasaki, Japan |
| CHK Y.FUJIURA 08MAR1990 | |
| APVD Y.FUJIURA 30JAN1991 | NAME 名称 AMP FH CONNECTOR RECEPTACLE WITH RETENTION LEG, HORIZONTAL アンブ FH リセプタクル コネクタ リテンション レグ付き (水平型) |
| PRODUCT SPEC 製品規格 | SIZE A3 CAGE CODE 00779 DRAWING NO. C-176379 |
| APPLICATION SPEC 取付適用規格 | RESTRICTED TO |
| WEIGHT | SCALE 尺度 NTS SHEET 1 OF 1 REV D |
| CUSTOMER DRAWING | |

