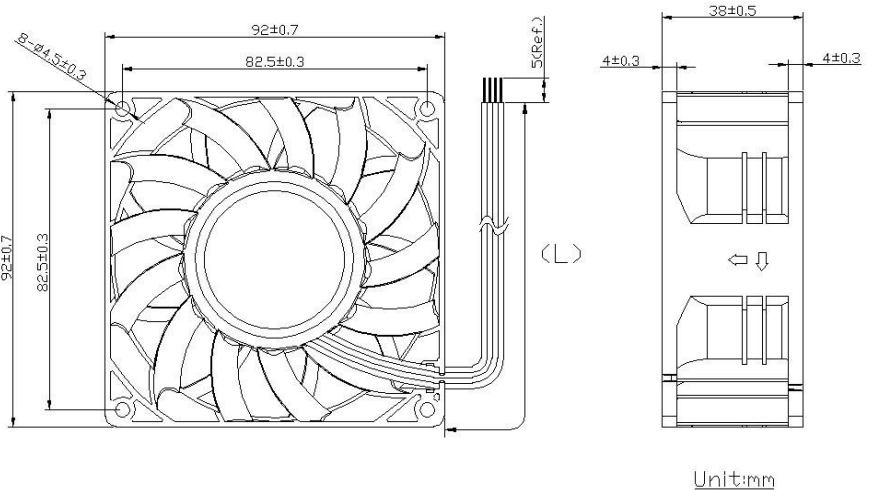


OD9238 Series - High Speed



DC Fan - 12V, Tachometer, PWM
92x38mm (3.62" x 1.5")



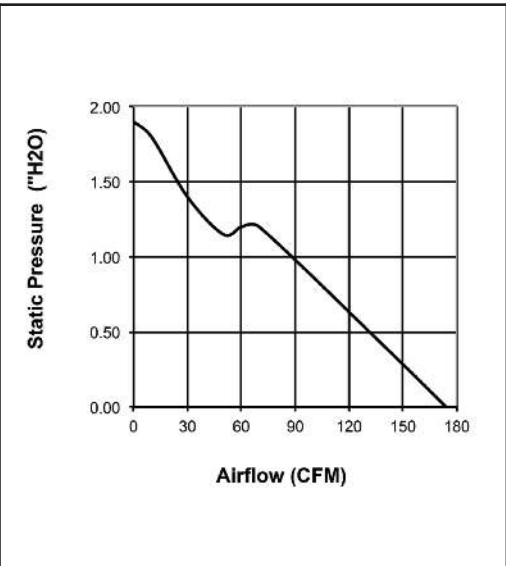
Frame & Impeller	PBT, UL94V-O plastic
Connection	4x Lead wires *
Motor	Brushless DC, auto restart, polarity protected.
Bearing System	Dual ball bearing
Insulation Resistance	Min. 10M at 500VDC
Dielectric Strength	1 minute at 500VAC / 1 second, max leakage 500 microamp
Temperature Range	-20C ~ +70C
Storage Temperature	-40C ~ +80C
Life Expectancy	50000 hours (40C)

Available Options:

* Connection:
Red (+)
Black (-)
White - Tachometer
Open Collector
Blue - PWM

UL 1430, 24AWG
~300mm

Weight: ~ 255 g



Part Number	OD9238-12HHBXC10A
Nominal Voltage	12 VDC
Nominal Current	3.5 A
Real Power	42 W
Rated Speed (RPM)	8000
Airflow (CFM)	174
Noise Level (dB)	68
Max. Static Pressure	1.7" H ₂ O

