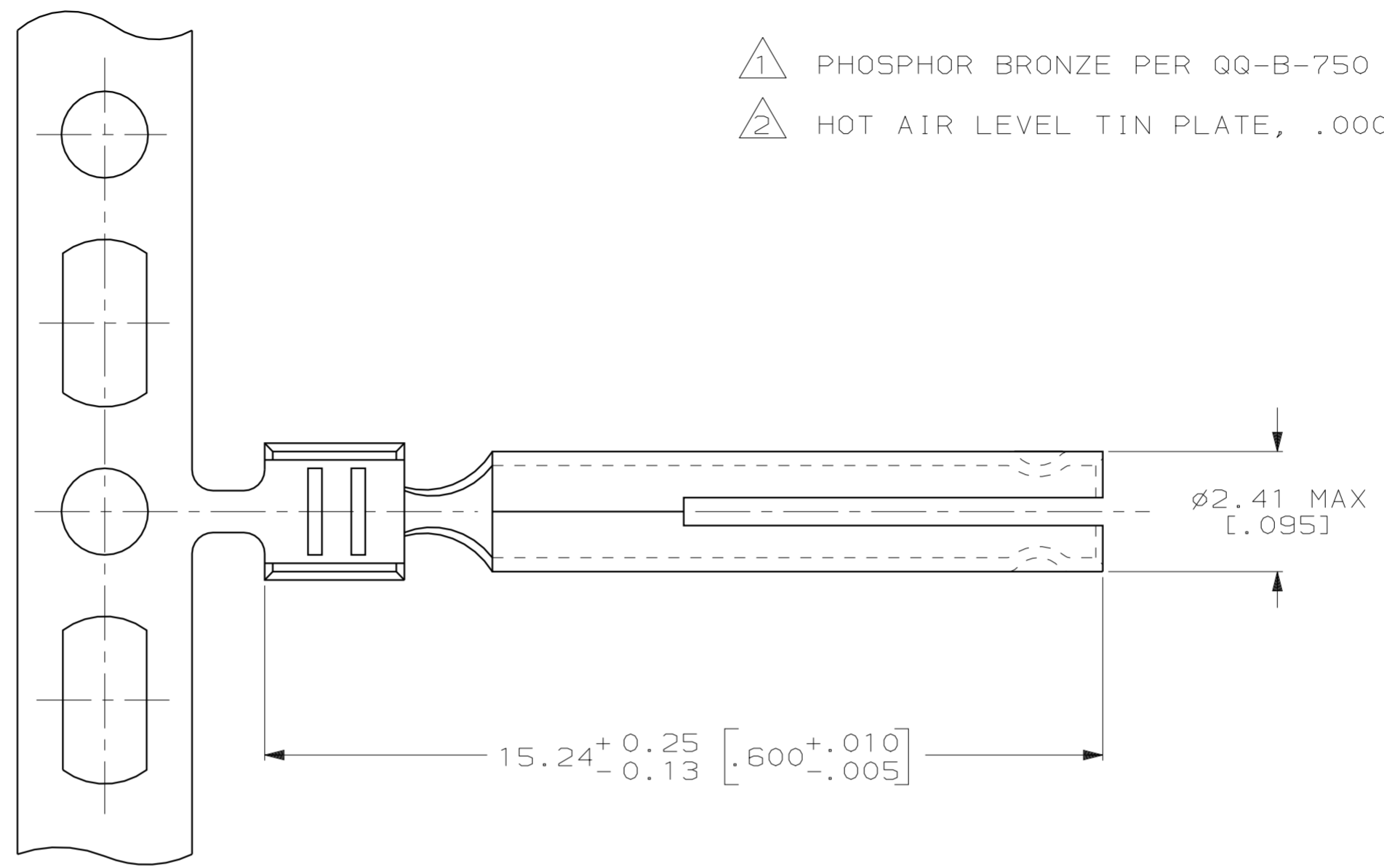
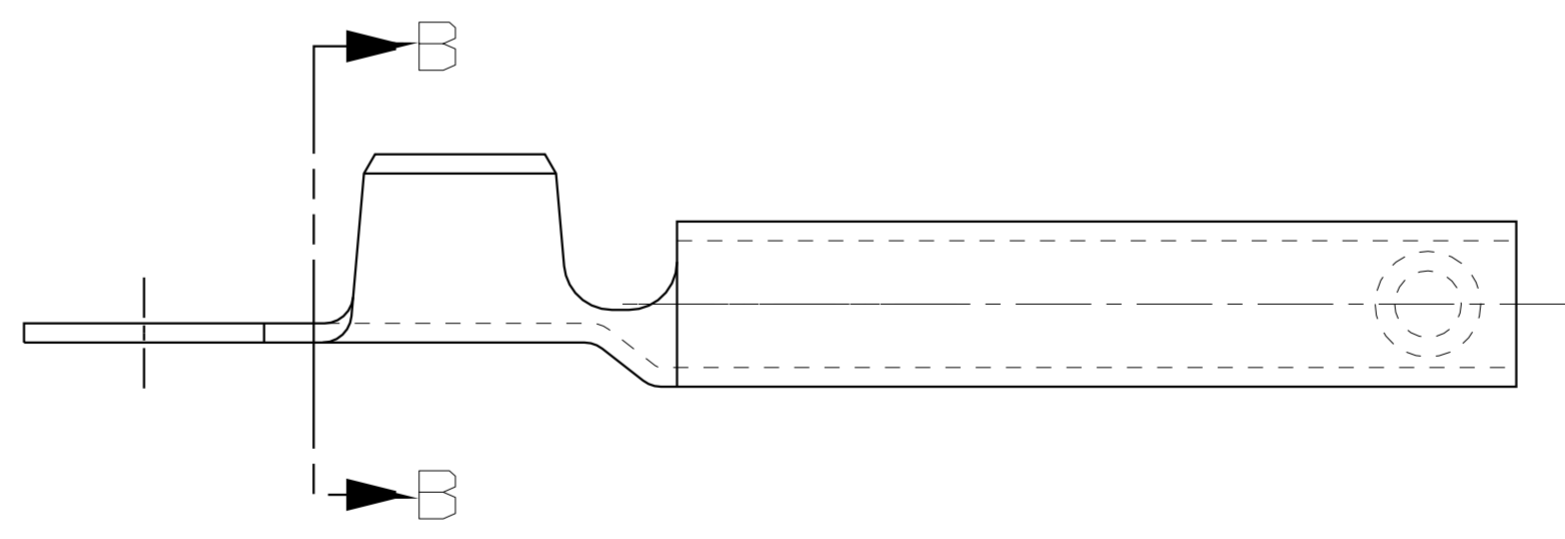
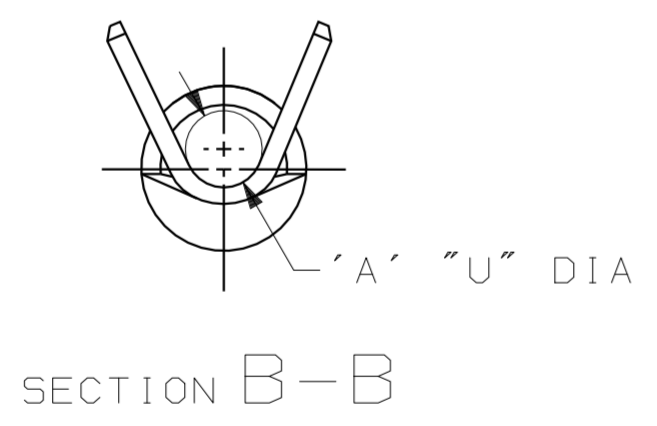


LOC	DIST	P	F	ZONE	LTR	DESCRIPTION	DATE	APPD
AJ	16				B	REDWN ON CAD & REL -3 PER 89-3338-001	11-3-89	DL
					C	REVISED PER AJ-4963	11-1-90	JG
					D	REVISED PER 0220-0088-93	8-24-93	JG



- △1 PHOSPHOR BRONZE PER QQ-B-750
- △2 HOT AIR LEVEL TIN PLATE, .000100 MINIMUM THICK



0.64 [.025]	226853-3
1.02 [.040]	226853-2
'A' DIA	PART NUMBER

DO NOT SCALE PRINT. UNLESS SPECIFIED DIMENSIONS IN INCHES TOLERANCES ON :		DR D. LAMAN 11-3-89		PART NO	
2 PLC DEC ± -		CHK R. E. RUTH 12/4/89		AMP INCORPORATED Harrisburg, Pa. 17105	
3 PLC DEC ± .008		APPD R. HENRY 12/4/89			
ANGLES ± -		APPD R. E. RUTH 12/4/89		NAME	
MATERIAL		PRODUCT SPEC		JACK CONTACT, MINIATURE UHF	
△1		APPLICATION SPEC		SIZE	CAGE CODE
△2		-		C	00779
		WEIGHT -		SCALE	DRAWING NO
				10:1	226853
					SHEET 1 OF 1