

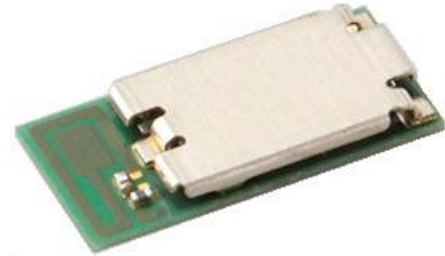
# TAIYO YUDEN

Requests For Quotes? Samples? Registrations?  
**RFQ@t-yuden.com**

Please find below new product introduction details for a TAIYO YUDEN Bluetooth® module.

## Product category:

Wireless modules: Bluetooth



## TAIYO YUDEN EYSKJNZWB:

TAIYO YUDEN EYSKJNZWB is a small form factor low power module designed to easily add Bluetooth® 5 to designs. Based off the powerful Nordic nRF52840 chipset, EYSKJNZWB is a certified module with onboard antenna to reduce time to market. Onboard 32MHz crystal, RF filter, and matching passive components are included to help simplify the design process.

## Features:

- Bluetooth® Version: 5.0 (support: 2M / 1M / 500k / 125kbps)
- Single Mode Bluetooth® low energy / 802.15.4 radio support
- ARM® Cortex M4F 32bit processor and 1MB flash and 256KB RAM
- ARM® TrustZone® Cryptocell 310 cryptographic accelerator
- Integrated high performance pattern antenna
- Bluetooth® and Japan, FCC, ISED qualified
- Integrated System Clock

## Specifications:

- Interface: SPI, UART, I2C, I2S, PDM and 12bit ADC, NFC-A
- Outline: 5.1 x 11.3 x 1.3 mm
- Output power: +8dBm Max.
- Single power supply: 1.7 – 3.6V
- Frequency: 2402 to 2480 MHz
- Operating Temperature range: -40 to 85 deg-C
- GPIO: 15

Requests For Quotes? Samples? Registrations?  
**RFQ@t-yuden.com**

# TAIYO YUDEN

Requests For Quotes? Samples? Registrations?  
**RFQ@t-yuden.com**

## Applications:

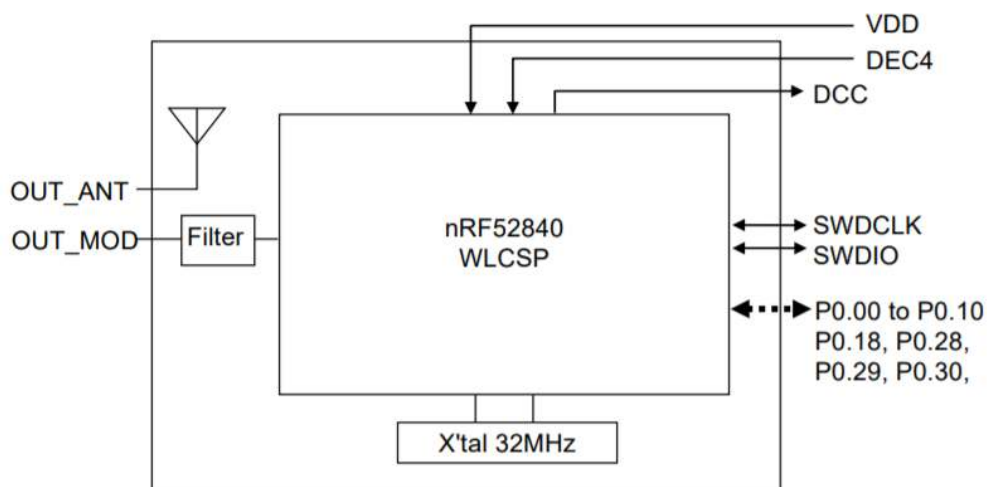
- Sensor
- Wearable
- Healthcare
- Lighting
- Security
- Car Electronics
- HVAC
- Remote control
- Control access
- Industrial equipment
- Beacon
- Smart meter

## Relevant TAIYO YUDEN part numbers

- EYSKJNZWB: Module
- EBSKJNZWB: Evaluation Board
- EKSKJNZWB: Evaluation Kit

## Block diagram:

Block Diagram

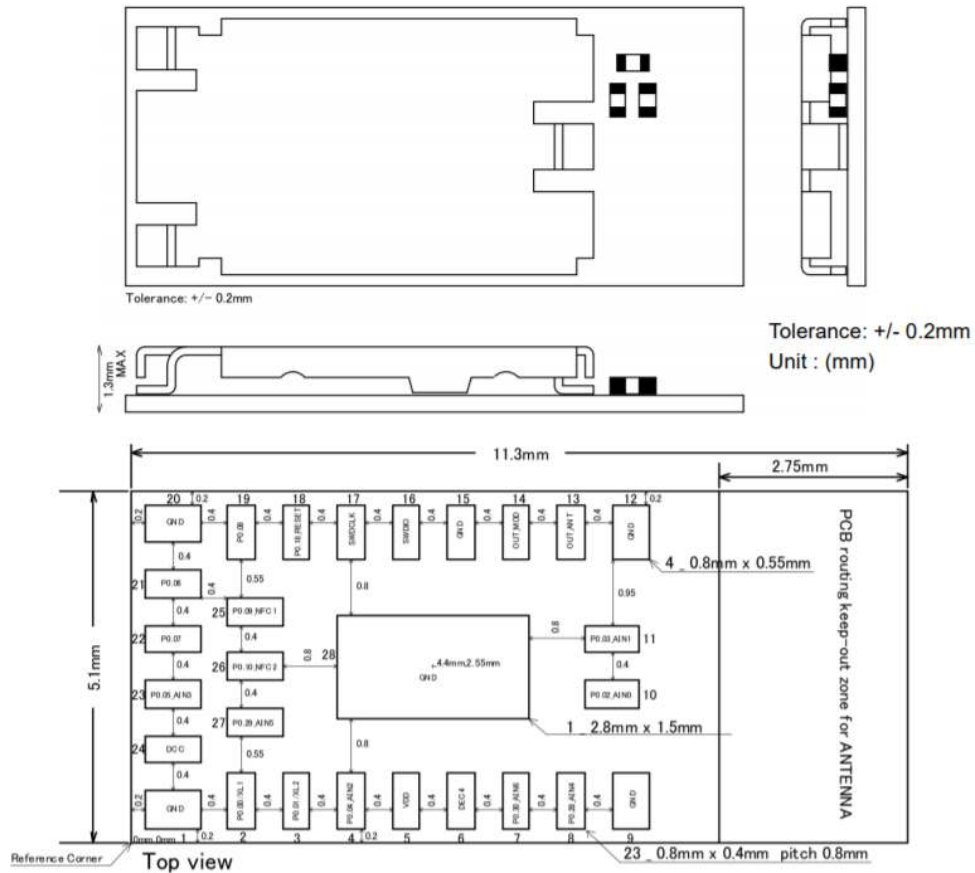


Requests For Quotes? Samples? Registrations?  
**RFQ@t-yuden.com**

# TAIYO YUDEN

Requests For Quotes? Samples? Registrations?  
[RFQ@t-yuden.com](mailto:RFQ@t-yuden.com)

Dimensions and bottom view:



Requests For Quotes? Samples? Registrations?  
[RFQ@t-yuden.com](mailto:RFQ@t-yuden.com)

# TAIYO YUDEN

Requests For Quotes? Samples? Registrations?  
**RFQ@t-yuden.com**

## **Competitors:**

- Silicon Labs
- Microchip
- Cypress
- Fanstel
- Insight
- Laird
- Panasonic
- Raytac
- u-Blox

Requests For Quotes? Samples? Registrations?  
**RFQ@t-yuden.com**