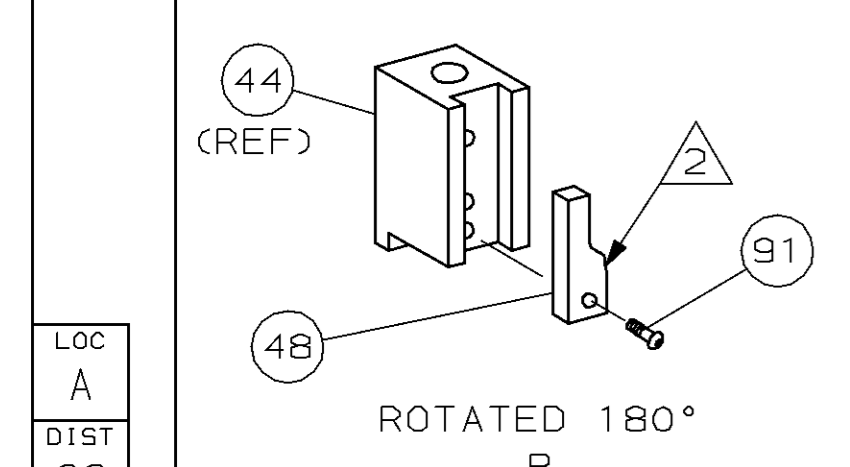
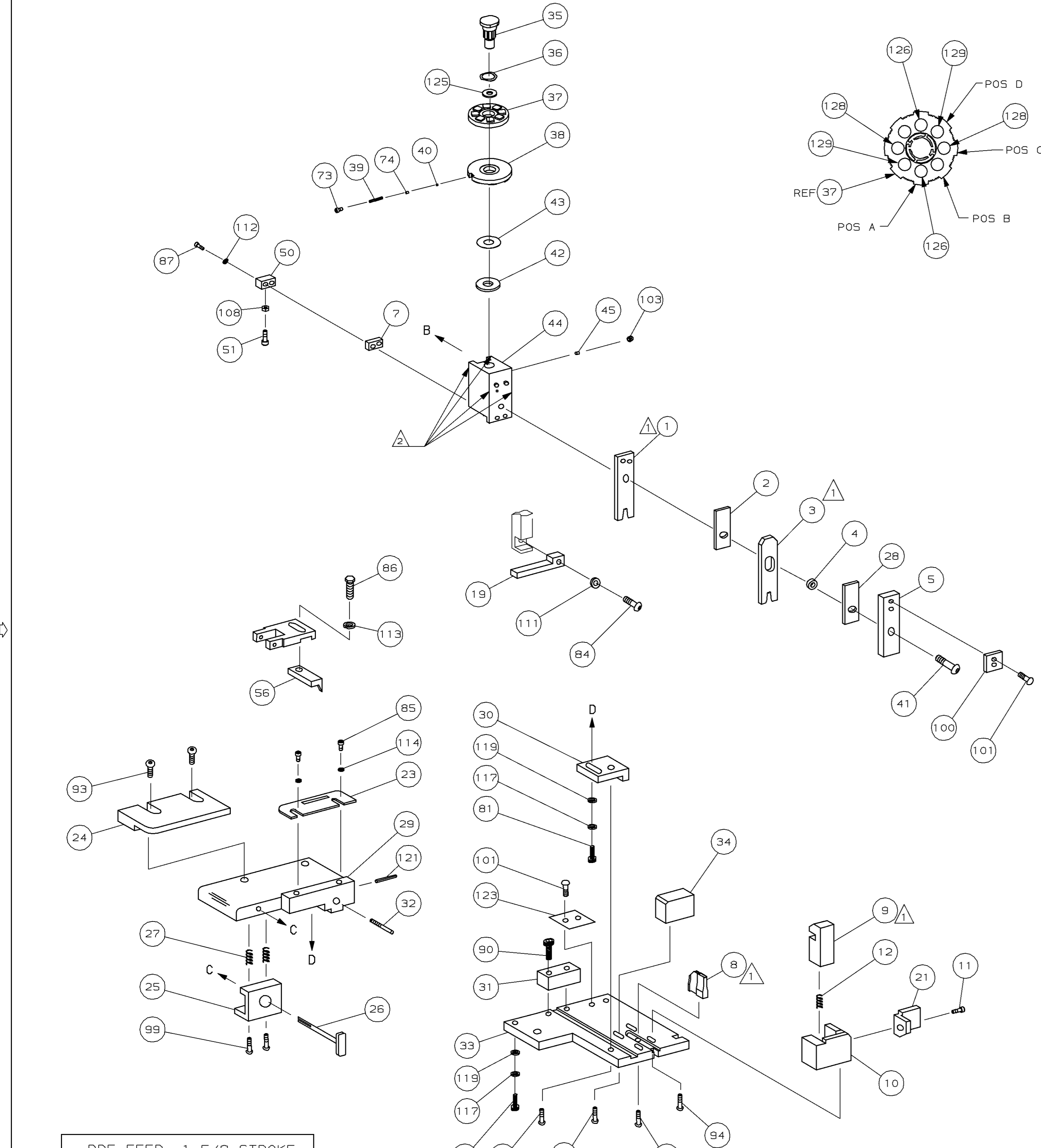


PART NUMBER	REV	FIRST USED
567904 -1	E	854040-3

TERMINAL NAME:		CRIMPING DATA				
DYNAMIC D-3 RECEPTACLE		VISIBLE PAD LTR	CRIMP HEIGHT	WIRE SIZE		
		175195	A	.047 ±.002	0.5mm ²	
		175285	B	.044 ±.002	0.3mm ²	
			C	.041 ±.002	0.2mm ²	
			D	NOT USED		
			CRIMP SIZE	TYPE	RANGE	
			WIRE	.062	F	0.2mm ² -0.5mm ²
			INSUL	.110	F	1.2mm-2.6mm
			FEED	.512	APPL INST	SET UP GAGE
				SEE CUSTOMER MANUAL	NONE	LAYOUT
						L1496
			WIRE STRIP LENGTH	-		

QTY	REV	TERMINAL	PART NO	DESCRIPTION	ITEM NO
2	-	C	3-354779-4	PIN, WIRE DISC (.3160)D	129
2	-	C	2-354779-8	PIN, WIRE DISC (.3130)C	128
					127
2	-	C	4-354779-0	PIN, WIRE DISC (.3190)A	126
1	-	A	986950-1	WASHER, FLAT PRECISION	125
					124
1	-	B	690701-2	PLATE, SERIAL NO.	123
					122
1	-	A	4-21028-0	PIN,SLT SPR(φ.093x.75)ST GDE PL	121
					120
2	-	A	21899-2	WASHER,FLAT(#10)S G ADJ BLK	119
					118
2	-	A	21024-5	WASHER, LOCK (#10) ADJ BLOCK	117
					116
					115
2	-	A	21024-2	WASHER,LOCK(#4)FRONT STP GUIDE	114
REF	-	A	21024-4	WASHER,LOCK(#8)FEED FINGER	113
2	-	A	21024-4	WASHER,LOCK(#8)DEP-HOLD	112
REF	-	A	21024-4	WASHER,LOCK(#8)STRIPPER	111
					110
					109
1	-	A	21018-5	NUT, HEX (#6) HOLD DOWN	108
					107
					106
					105
					104
1	-	A	21009-2	SCR,SKT SET(1/4-20x.25 LW)RAM	103
					102
4	-	A	21017-2	SCR,DRIVE(#2x.19)ID PLATE	101
1	-	B	819347-1	PLATE, IDENTIFICATION	100
2	-	A	3-21002-0	SCR,BHC(10-32x.88)DRAG	99
1	-	A	22733-8	SCR,BHC(8-32x.38 LW)ANVIL	98
					97
1	-	A	3-21000-8	SCR,SHC(10-32x.88)MOUNTING	96
1	-	A	2-22733-1	SCR,BHC(10-32x.50)SG ADJ BLK	95
4	-	A	22733-9	SCR,BHC(8-32x.50)SHEAR-TERM SUP	94
2	-	A	2-21000-2	SCR,BHC(8-32x.50)R STP GDE	93
					92
1	-	A	1-21002-7	SCR,SHC(6-32x.50)CAM	91
2	-	A	2-21000-7	SCR,SHC(8-32x.50)SCR BLK	90
					89
					88
2	-	A	2-21000-9	SCR,SHC(8-32x.69)DEP-HOLD DOWN	87
REF	-	A	2-22603-0	SCR,HEX HD(8-32x.31)FEED FINGER	86
2	-	A	1-21000-3	SCR,SHC(4-40x.25)F ST GUIDE	85
REF	-	A	22733-9	SCR,BHC(8-32x.50 SL)STRIPPER	84
					83
					82
1	-	A	3-22603-1	SCR,HEX HD(10-32x.38)ADJ BL	81
					80
					79
					78
2	-	B	463310-6	BLADE, STRIPPING (#22)	77
					76
					75
1	-	A	690603-1	SPRING, ASSIST	74
1	-	A	23030-1	SCR,SKT CAP(6-32x.25)CP DSC	73
					72
					71

QTY	REV	TERMINAL	PART NO	DESCRIPTION	ITEM NO
					70
					69
					68
					67
					66
					65
					64
					63
					62
					61
					60
					59
					58
					57
REF	-	B	694433-8	PAWL, FEED	56
					55
					54
					53
					52
1	-	A	811242-2	BUMPER, HOLDDOWN	51
1	-	A	690753-1	SPACER, TONKER	50
					49
1	-	A	690602-6	CAM, PRE-FEED 1.62 STROKE	48
					47
					46
1	-	A	690191-1	PLUG, NYLON	45
1	-	C	455673-1	RAM	44
1	-	A	690125-1	WASHER, LAMINATED	43
1	-	A	690124-1	WASHER, RAM	42
1	-	A	7-21002-9	BOLT, CRIMPER(5/16x1.00)	41
1	-	A	23241-6	BALL, STEEL	40
1	-	A	690170-1	SPRING, COMPRESSION	39
1	-	C	690142-1	DISC, INSULATION	38
1	-	D	354777-1	WIRE DISC, PLASTIC	37
1	-	A	22480-5	WASHER, SPRING	36
1	-	B	690212-1	POST, RAM	35
1	-	B	690786-1	SUPPORT, TERMINAL	34
1	-	C	462544-1	PLATE, BASE SPECIAL	33
1	-	A	690432-3	SCREW, ADJUSTMENT	32
1	-	B	462543-1	BLOCK, SCREW SPECIAL	31
1	-	B	455689-1	BLOCK, STRIP GUIDE ADJ	30
1	-	C	455671-1	PLATE, STRIP GUIDE	29
1	-	C	1-455888-2	SPACER, FRONT SHEAR DEP	28
2	-	A	1-22284-0	SPRING, DRAG	27
1	-	B	690546-1	LEVER, DRAG RELEASE	26
1	-	B	240792-1	DRAG, TERMINAL	25
1	-	D	856873-3	GUIDE, STRIP (REAR)	24
1	-	A	690438-1	GUIDE, STRIP (FRONT)	23
					22
1	-	A	463756-1	GUIDE, SCRAP	21
					20
REF	-	C	462615-1	STRIPPER	19
					18
					17
					16
					15
					14
					13
1	-	A	5-22280-0	SPRING, SHEAR	12
1	-	B	690461-2	STOP, SHEAR (FRONT)	11
1	-	B	462548-1	HOLDER, SHEAR (FRONT) SP	10
1	-	B	462547-1	SHEAR, FLOAT (FRONT) SP	9
1	-	C	6-854014-4	ANVIL	8
1	-	C	2-240641-9	SPACER, DEPRESSOR (REAR)	7
					6
1	-	A	462838-1	DEPRESSOR, SHEAR (FRONT) SP	5
1	-	B	2-238011-5	SPACER, BLOCK CRIMPER	4
1	-	C	3-683453-8	CRIMPER, INSULATION	3
1	-	C	455888-7	SPACER, CRIMPER	2
1	-	C	2-456403-6	CRIMPER, WIRE	1



- 1 RECOMMENDED SPARE PARTS.
- 2 GREASE LIGHTLY.
- 3 ITEM NOT SHOWN
- 4 CUT TO LENGTH AT ASSEMBLY.

QTY REQD PER ASSY	U/M	DWG SIZE	PART NO	DESCRIPTION	ITEM NO
				REVISION OF EACH ASSY NO (WHEN BLANK, USE DWG REVISION)	

QTY REQD PER ASSY	U/M	DWG SIZE	PART NO	DESCRIPTION	ITEM NO
				REVISION OF EACH ASSY NO (WHEN BLANK, USE DWG REVISION)	

LOC A
DIST 66

DIMENSIONS IN INCHES. DO NOT SCALE PRINT. TOLERANCES UNLESS OTHERWISE SPECIFIED.

DR	4/28/94	APP	5/4/94
R	O WILSON	T	BEDDICK
CHK	5/4/94	REL	5/16/94
C	ERISMAN	B.	MORGAN

NAME: STRIPPER CRIMPER APPLICATOR MACHINE REF: STRIPPER CRIMPER
SCALE: - DWG NO: 567904 SHEET: 1 OF 1 REV: E

THIS DRAWING IS A CONTROLLED DOCUMENT FOR AMP INCORPORATED. IT IS SUBJECT TO CHANGE AND THE CONTROLLING ENGINEERING ORGANIZATION SHOULD BE CONTACTED FOR THE LATEST REVISION.

THIS INFORMATION IS CONFIDENTIAL AND IS DISCLOSED TO YOU ON CONDITION THAT NO FURTHER DISCLOSURE IS MADE BY YOU TO OTHER THAN AMP PERSONNEL WITHOUT WRITTEN AUTHORIZATION FROM AMP INCORPORATED, HARRISBURG, PA.