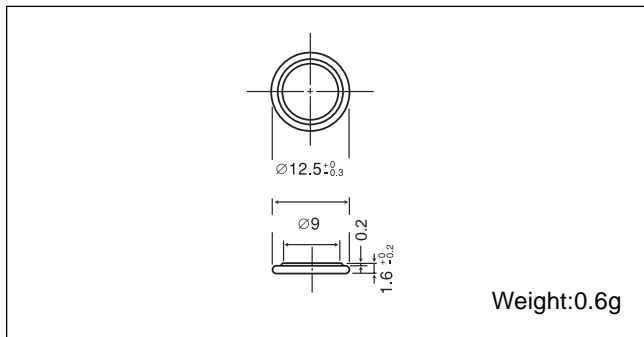


# Poly-carbonmonofluoride Lithium Coin Batteries: Individual Specifications

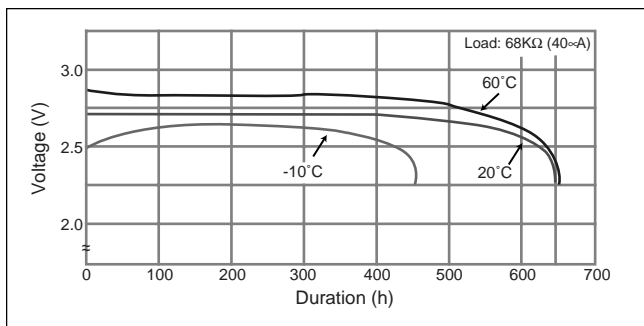
## ■ Dimensions(mm)



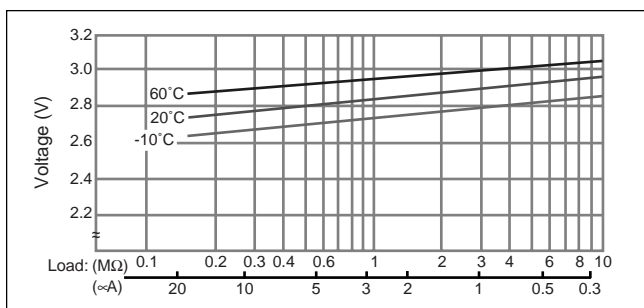
## ■ Specification

Nominal voltage (V)	3
Nominal capacity (mAh)	25
Continuous standard load (mA)	0.03
Operating temperature (C)	-30 ~ +80

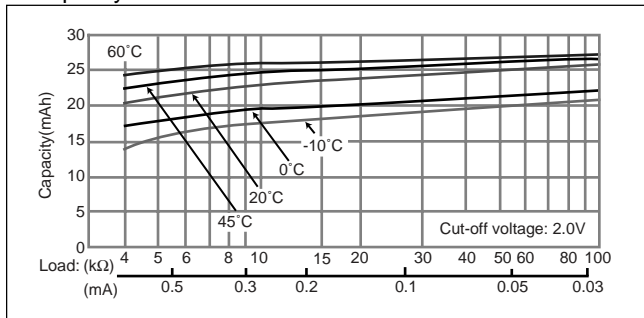
## ■ Temperature Characteristics



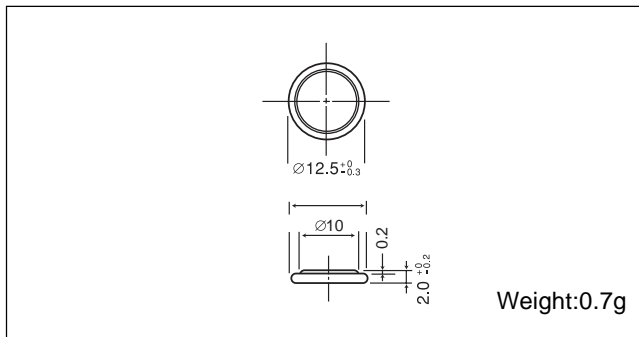
## ■ Operating voltage vs. load resistance(voltage at 50% discharge depth)



## ■ Capacity vs. load resistance



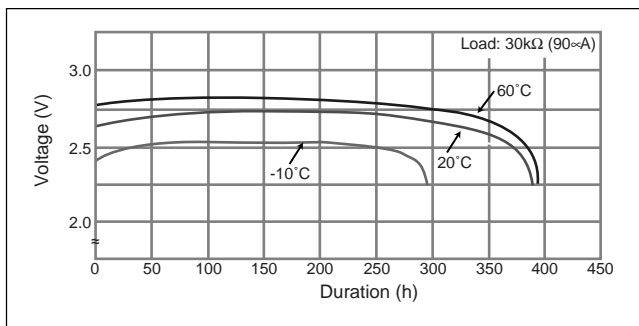
## ■ Dimensions(mm)



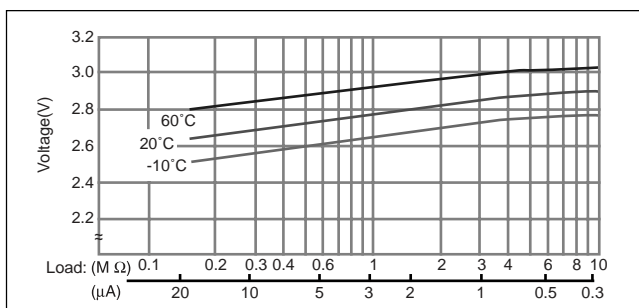
## ■ Specification

Nominal voltage (V)	3
Nominal capacity (mAh)	35
Continuous standard load (mA)	0.03
Operating temperature (C)	-30 ~ +80

## ■ Temperature Characteristics



## ■ Operating voltage vs. load resistance(voltage at 50% discharge depth)



## ■ Capacity vs. load resistance

