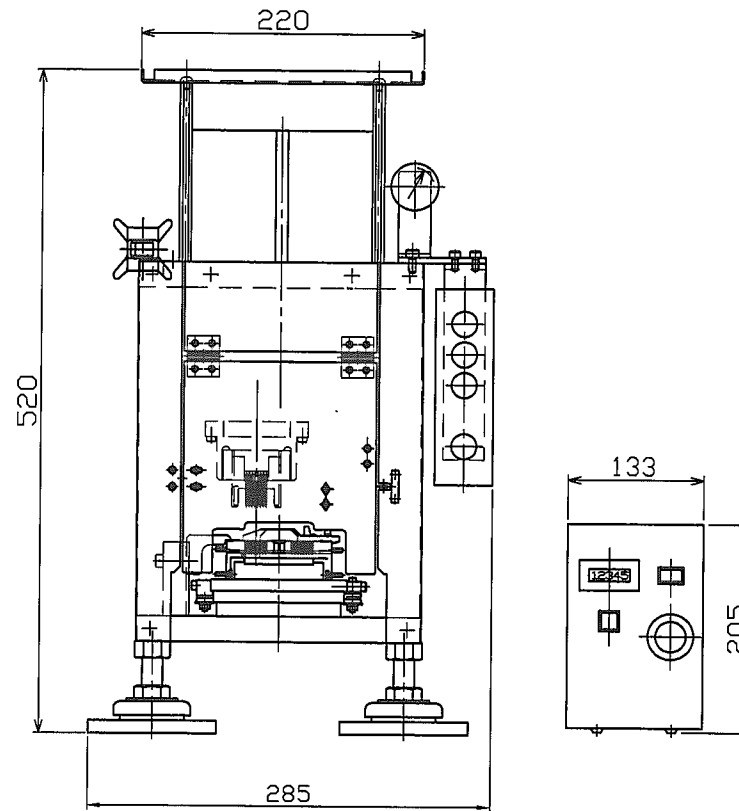
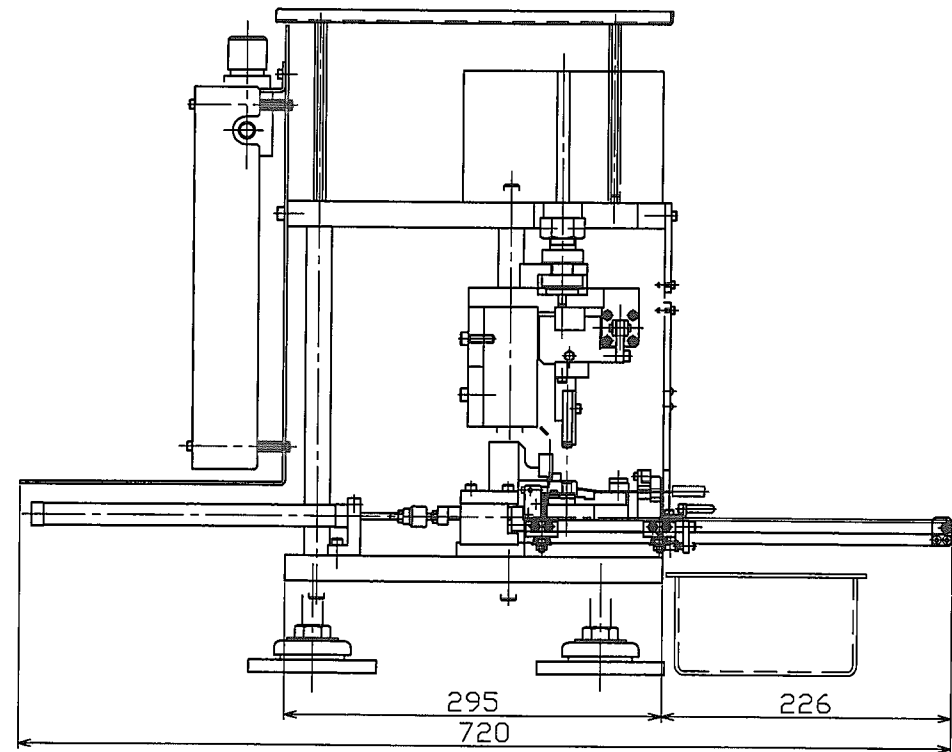
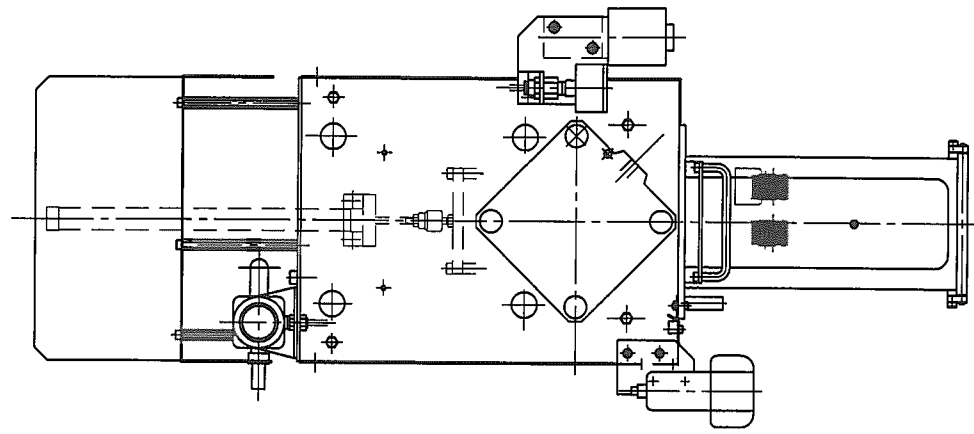


THIS DRAWING IS A CONTROLLED DOCUMENT FOR AMP INCORPORATED. IT IS SUBJECT TO CHANGE AND THE CONTROLLING ENGINEERING ORGANIZATION SHOULD BE CONTACTED FOR THE LATEST REVISION.



仕様 (Specifications)

- (1) 適用コネクタ (APPLICABLE CONN.) : 1318690-1
- (2) 適用電線 (APPLICABLE CABLE) : CAVS 0.3/0.5 sq
- (3) 最短ワイヤー長 (SINGLE ENDED WIRE) : 150mm MIN
- (4) 外観寸法 (OVERALL) : W285×H520×D720 (コントロールボックス含まず)
- (5) 重量 (WEIGHT) : 65kg
- (6) 電源 (ELECTRICAL POWER) : AC 100V 50/60Hz
- (7) 空気圧 (COMPRESSED AIR) : 0.5 MPa
- (8) 取扱説明書 (INSTRUCTION SHEET) : 411-78070-2

THIS INFORMATION IS CONFIDENTIAL AND IS DISCLOSED TO YOU ON CONDITION THAT YOU WILL NOT REPRODUCE OR MAKE BY YOU TO OTHER THAN AMP PERSONNEL WITHOUT WRITTEN AUTHORIZATION FROM AMP INCORPORATED, HARRISBURG, PA.

LOC J
DIST

0	RELEASED	FJCO-0074-04	1 APR 04	K.M	Y.I
P	LTR	REVISION RECORD	ECN	DATE	DWN APVD

THIRD ANGLE PROJECTION. DIMENSIONS IN MILLIMETERS. DO NOT SCALE PRINT.
 TOLERANCES UNLESS OTHERWISE SPECIFIED.
 ANGLES ±0°30'
 UP TO 6 ±0.1 120 TO 315 ±0.5
 6 TO 30 ±0.2 315 TO 1000 ±0.8
 30 TO 120 ±0.3 OVER 1000 ±1.2
 REMOVE BURRS, BRAKE SHARP EDGES
 R0.4 MAX.

MATERIAL	HEAT TREAT	FINISH
---	---	---
DR 1 APR 04 K.MARUYAMA	APP 1 APR 04 Y. IKEDA	Tyco Electronics AMP K.K. Kawasaki, Japan
CHK 1 APR 04 K.MARUYAMA	REL 1 APR 04 Y. IKEDA	
名称 (NAME) (E-TYPE AIR BENCH PRESS FOR 025 IDC) 025 IDC用 E-タイプエアベンチプレス		
SCALE	SIZE	DRAWING NO
---	A3	1596571-3
SHEET		REV
1 OF 1		0