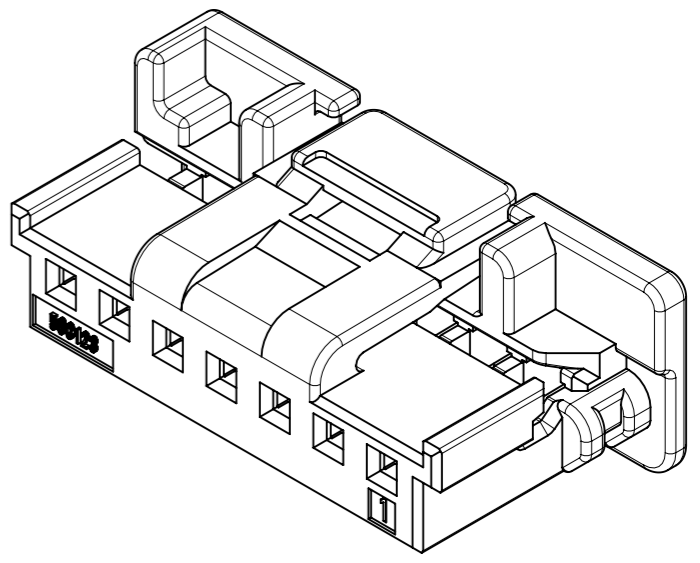
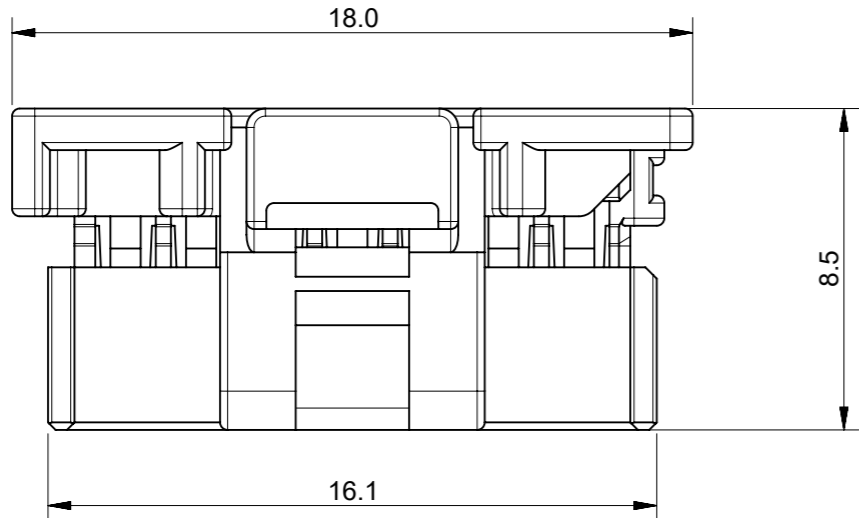
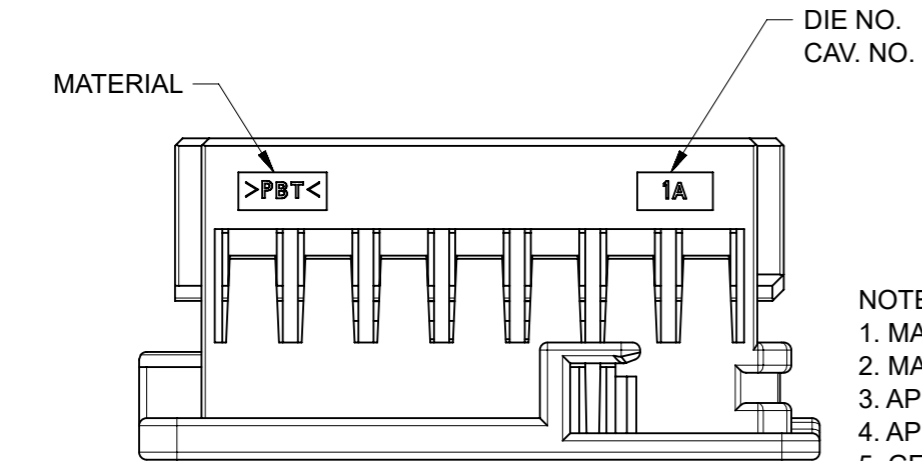
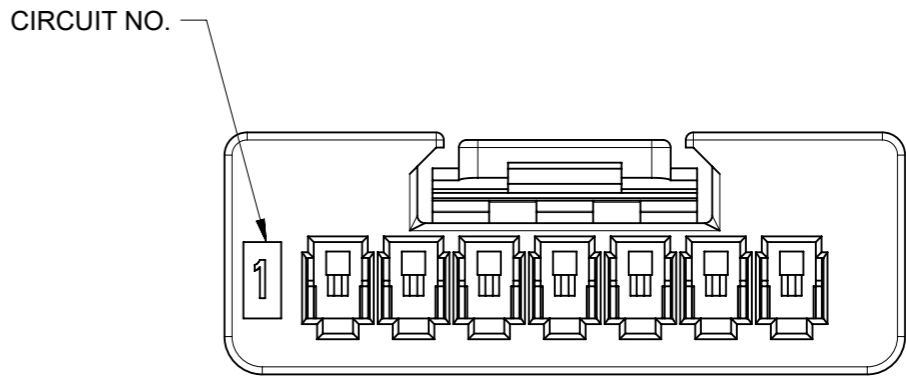
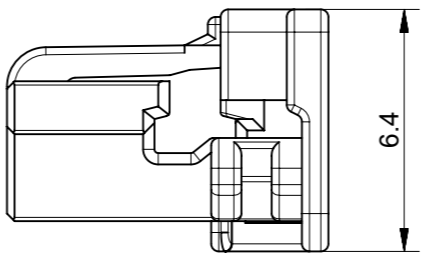
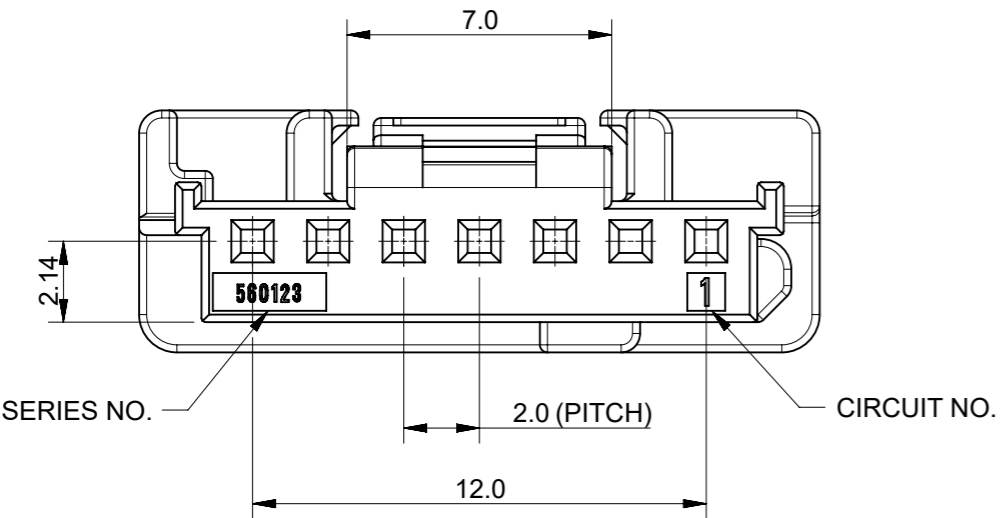


GENERAL TOLERANCE										USED ON
10 MAX	30 MAX	50 MAX	70 MAX	100 MAX	120 MAX	250 MAX	250 OVER	ANGLE	ECCENT	
±0.15	±0.20	±0.30	±0.40	±0.50	±0.75	±0.90	±1.4	±0.5°	0.1	



ISO VIEW



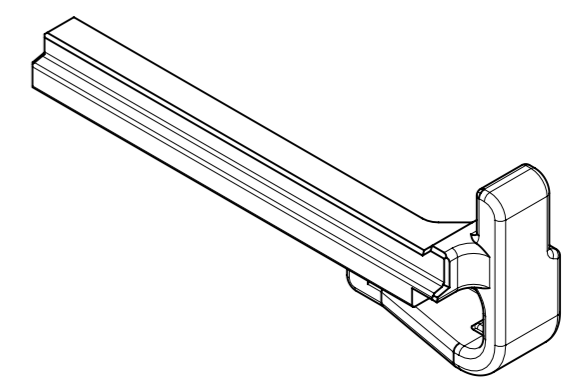
- NOTES:
1. MATERIALS : POLYESTER (PBT), GLASS UNFILLED, UL 94V-0
 2. MATE WITH : 502352, 560020 SERIES
 3. APPLICABLE TERMINAL : 560124 SERIES
 4. APPLICABLE ISL : 560125 SERIES
 5. GENERAL TOLERANCE : SEE TABLE
 6. EVL AND RoHS COMPLIANT
 7. PRODUCT SPECIFICATION : PS-560123-00*
 8. PACKING SPECIFICATION : PK-560123-001

MATERIAL NUMBER

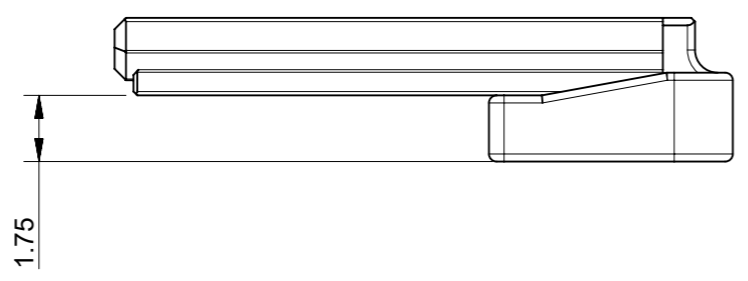
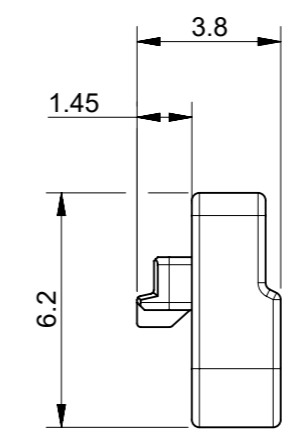
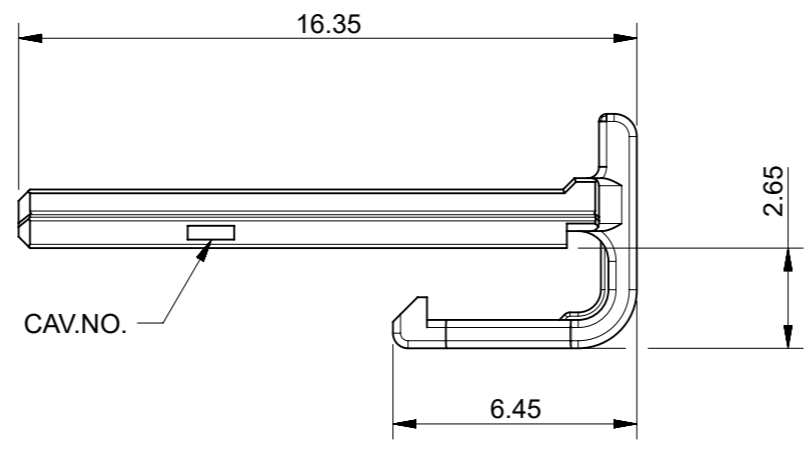
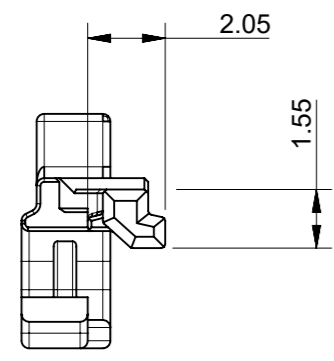
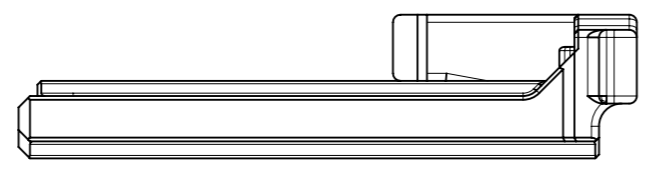
ORDER NO.	MATERIAL NO.	COLOR
560123-0700	5601230700	WHITE
560123-0701	5601230701	BLACK

FUNCTIONAL SYMBOLS	THIS DRAWING CONTAINS INFORMATION THAT IS PROPRIETARY TO MOLEX ELECTRONIC TECHNOLOGIES, LLC AND SHOULD NOT BE USED WITHOUT WRITTEN PERMISSION		CURRENT REV DESC:		
	$\nabla_A = 0$ $\nabla_E = 0$ $\nabla_V = 0$	DIMENSION UNITS: mm SCALE: 5:1	EC NO: 668822 DRWN: SAKIM CHK'D: HIJIMA APPR: HIJIMA		
DIVISIONAL SYMBOLS	GENERAL TOLERANCES (UNLESS SPECIFIED)		INITIAL REVISION:		DOCUMENT NUMBER: 5601230700 DOC TYPE: PSD DOC PART: 000 REVISION: A2
	ANGULAR TOL ± ° 4 PLACES ± 3 PLACES ± 2 PLACES ± 1 PLACE ± 0 PLACES ±		DRWN: SAKIM APPR: YKJUNG 2019/04/16 2019/05/17		
DRAFT WHERE APPLICABLE MUST REMAIN WITHIN DIMENSIONS		THIRD ANGLE PROJECTION	DRAWING: A3-SIZE	SERIES: 560123	MATERIAL NUMBER: SEE TABLE
			CUSTOMER: GENERAL MARKET		SHEET NUMBER: 1 OF 1

10	9	8	7	6	5	4	3	2	1	
GENERAL TOLERANCE										
10 MAX	30 MAX	50 MAX	70 MAX	100 MAX	120 MAX	250 MAX	250 OVER	ANGLE	ECCENT	USED ON
±0.15	±0.20	±0.30	±0.40	±0.50	±0.75	±0.90	±1.4	±0.5°	0.1	



ISO VIEW



MATERIAL NUMBER

ORDER NO.	MATERIAL NO.	COLOR
560125-0700	5601250700	GRAY

NOTES:

1. MATERIALS : POLYESTER (PBT)-GF17, UL94 V-0
2. APPLICABLE HOUSING : 560123 SERIES
3. GENERAL TOLERANCE : SEE TABLE
4. EVL AND RoHS COMPLIANT
5. PRODUCT SPECIFICATION : PS-560123-00*
6. PACKING SPECIFICATION : PK-560125-001

FUNCTIONAL SYMBOLS	THIS DRAWING CONTAINS INFORMATION THAT IS PROPRIETARY TO MOLEX ELECTRONIC TECHNOLOGIES, LLC AND SHOULD NOT BE USED WITHOUT WRITTEN PERMISSION		CURRENT REV DESC: DRAWING REMASTERED	
	△/A = 0	mm	SCALE	5:1
DIVISIONAL SYMBOLS	GENERAL TOLERANCES (UNLESS SPECIFIED)		EC NO: 641821	
	△/E = 0	ANGULAR TOL ± °	DRWN: SAKIM	2020/07/17
DIVISIONAL SYMBOLS	4 PLACES ±	INITIAL REVISION:	CHK'D: TOSADA	2020/07/27
	3 PLACES ±		APPR: TOSADA	2020/07/27
	2 PLACES ±		DRWN: SAKIM	2019/04/22
	1 PLACE ±		APPR: YKJUNG	2019/05/17
0 PLACES ±	DRAFT WHERE APPLICABLE MUST REMAIN WITHIN DIMENSIONS	THIRD ANGLE PROJECTION	DRAWING	SERIES
		⊕	A3-SIZE	560125
		DOCUMENT NUMBER		DOC TYPE
		5601250700		PSD
		MATERIAL NUMBER		DOC PART
		5601250700		000
		CUSTOMER		REVISION
		GENERAL MARKET		A2
		SHEET NUMBER		
				1 OF 1