

NOTES: VALID UNLESS OTHERWISE SPECIFIED

1. GENERAL:

- a. APPLICATION SPECIFICATION SEE: AS-31386-200
- b. PRODUCT SPECIFICATION SEE: PS-31386-200
- c. PACKAGING SPECIFICATION: PK-31301-916
- d. PARTS MUST BE IN COMPLIANCE TO MOLEX CHEMICAL SUBSTANCES FOR PRODUCTS AND PACKAGING SPECIFICATION: ES-40000-5016
- e. DATA MUST BE SUBMITTED UNDER THE MOLEX PART NUMBER TO IMDS (COMPANY ID#13255)
- f. DIMENSIONS AND TOLERANCES ARE VALID FOR THE AS SHIPPED SHROUD ASSEMBLY
- g. REFERENCE GM INTERFACE CONTROL DRAWINGS (ICD):
 - 1. 12582683
 - 2. 12642694

2. DESIGN - MATERIALS:

- a. PLASTIC: 30% GF PBT, SEE CHART FOR COLOR
- b. SIGNAL PIN PLATING:
 - UNDERPLATING (OVERALL): NICKEL 1.27-2.54 μ m
 - GOLD (MATE SIDE): 0.76 μ m MIN
 - SILVER (MATE SIDE): 1.90-3.30 μ m
 - TIN (SOLDER TAIL): 5.08-10.16 μ m BRIGHT FINISH

3. DESIGN - GEOMETRY:

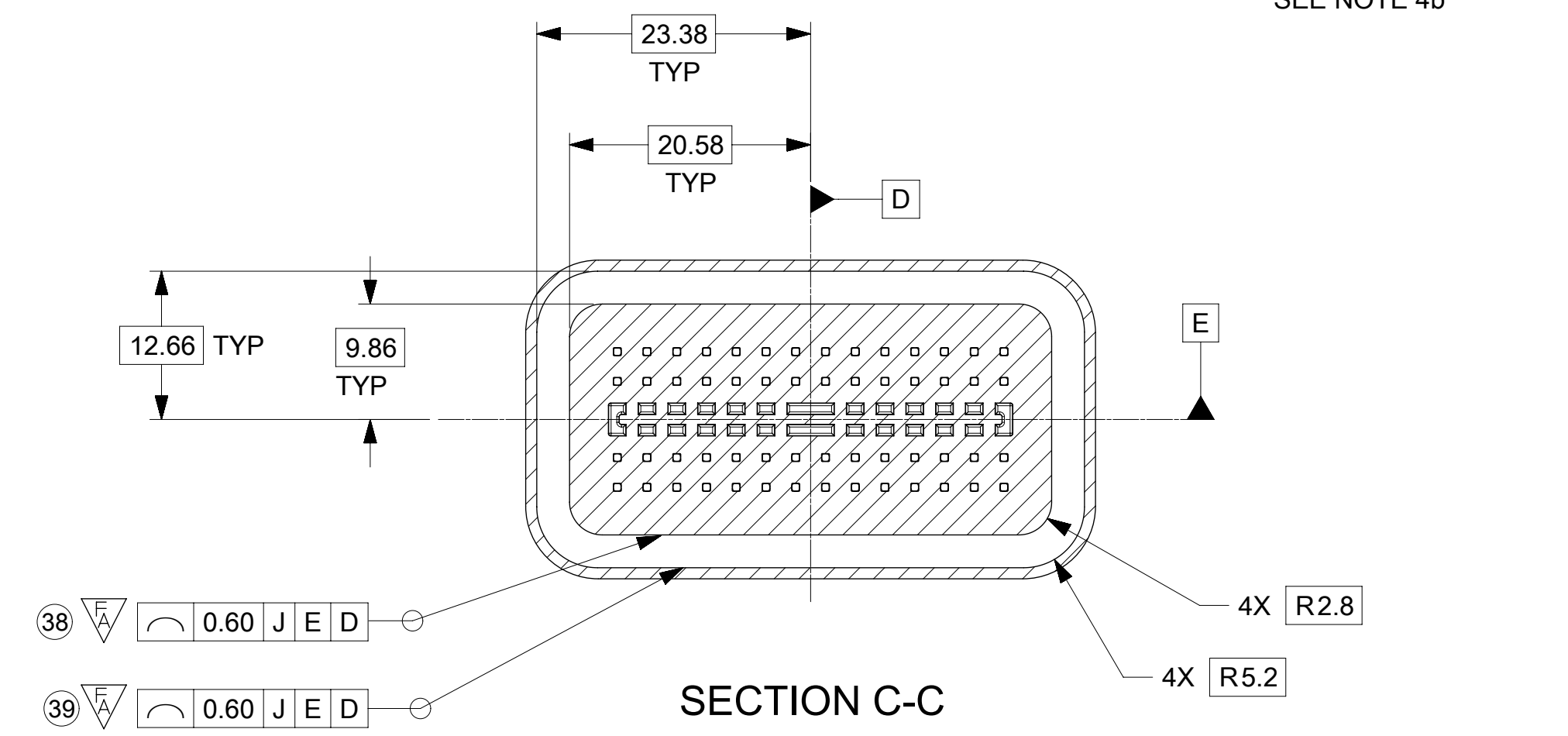
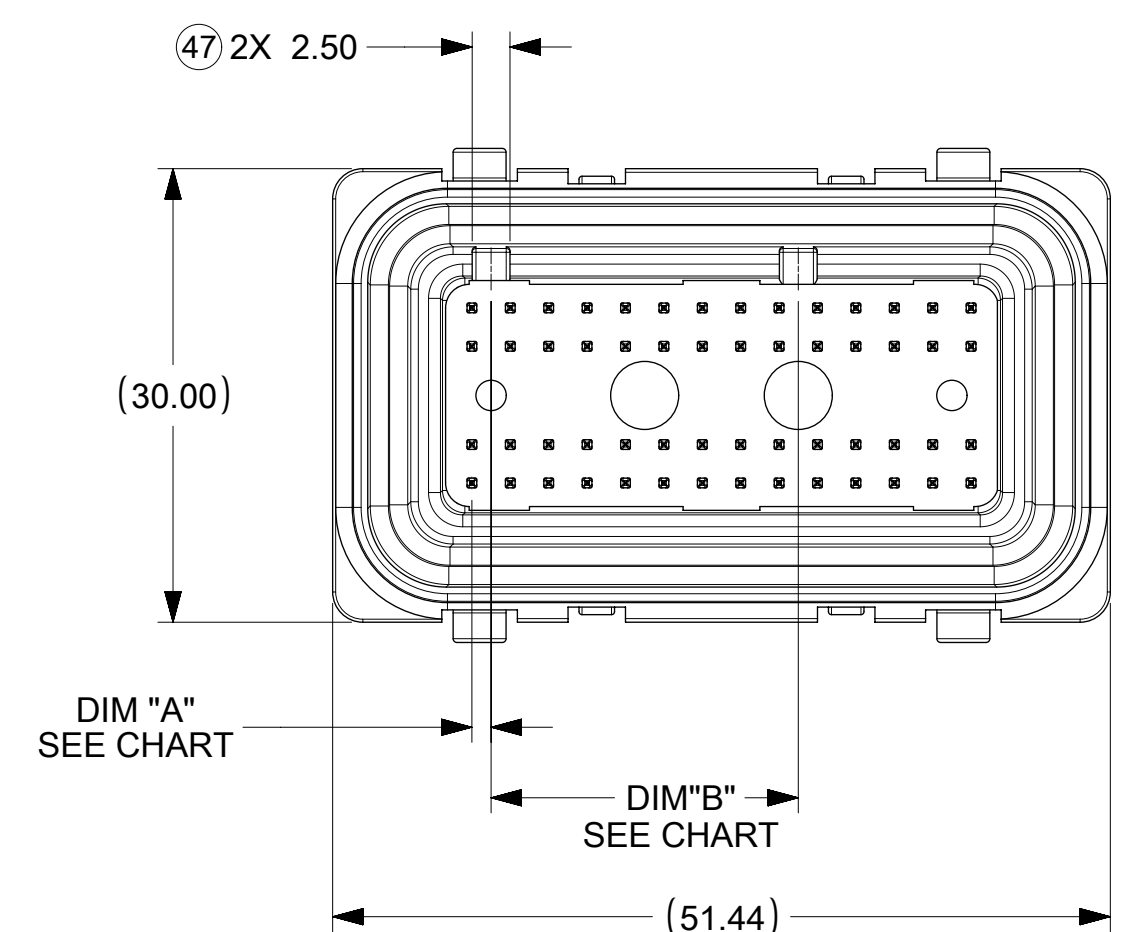
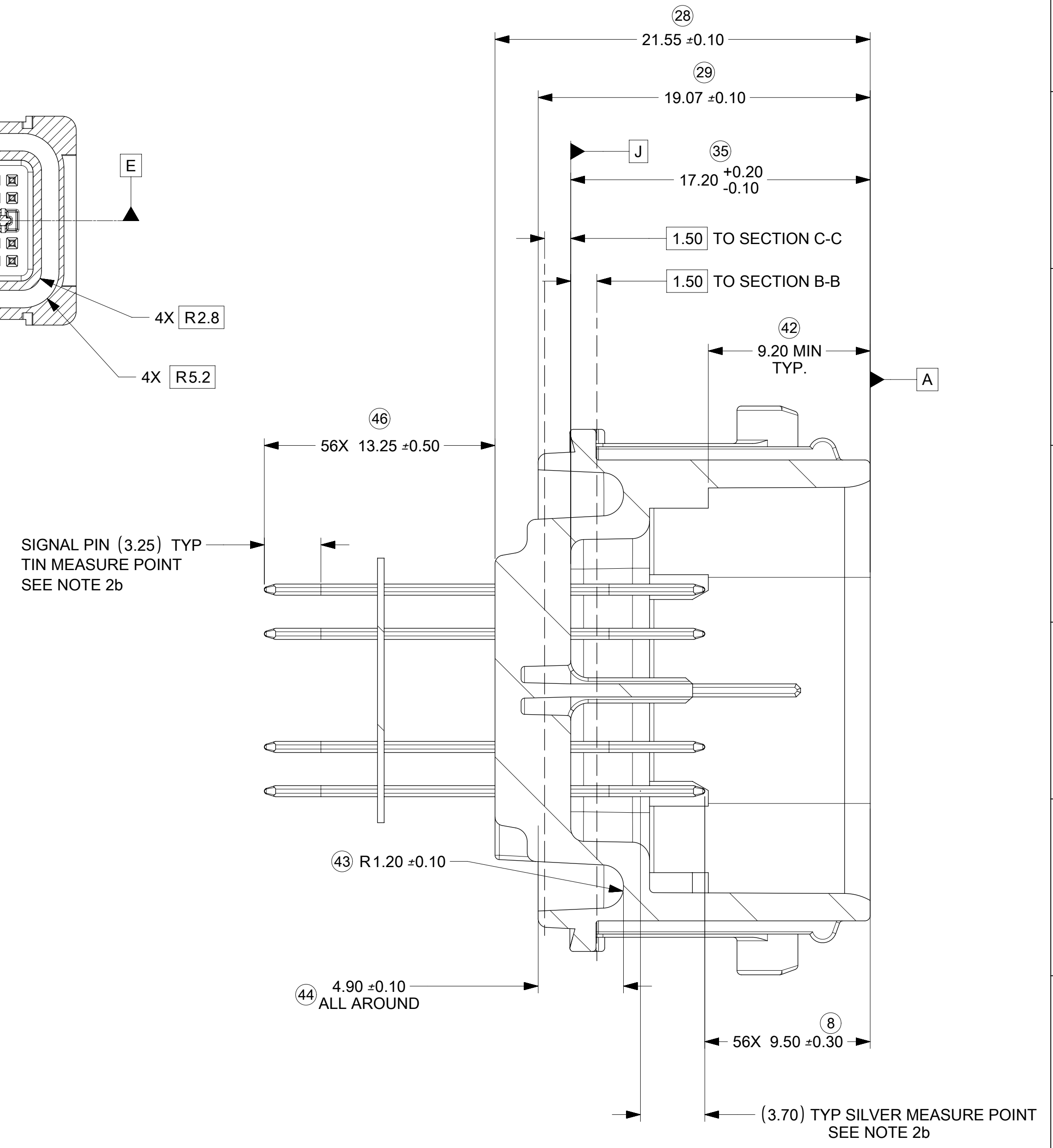
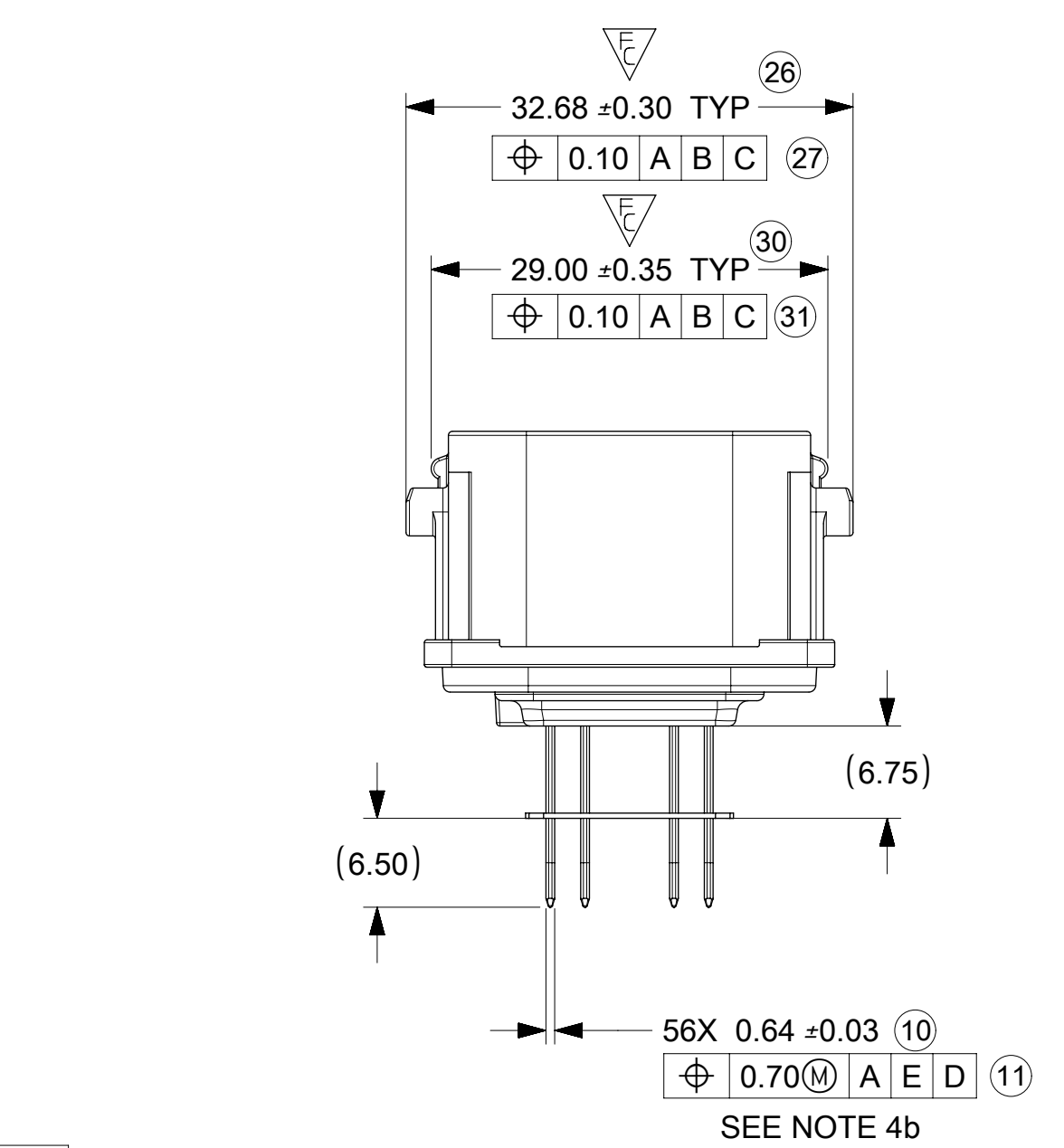
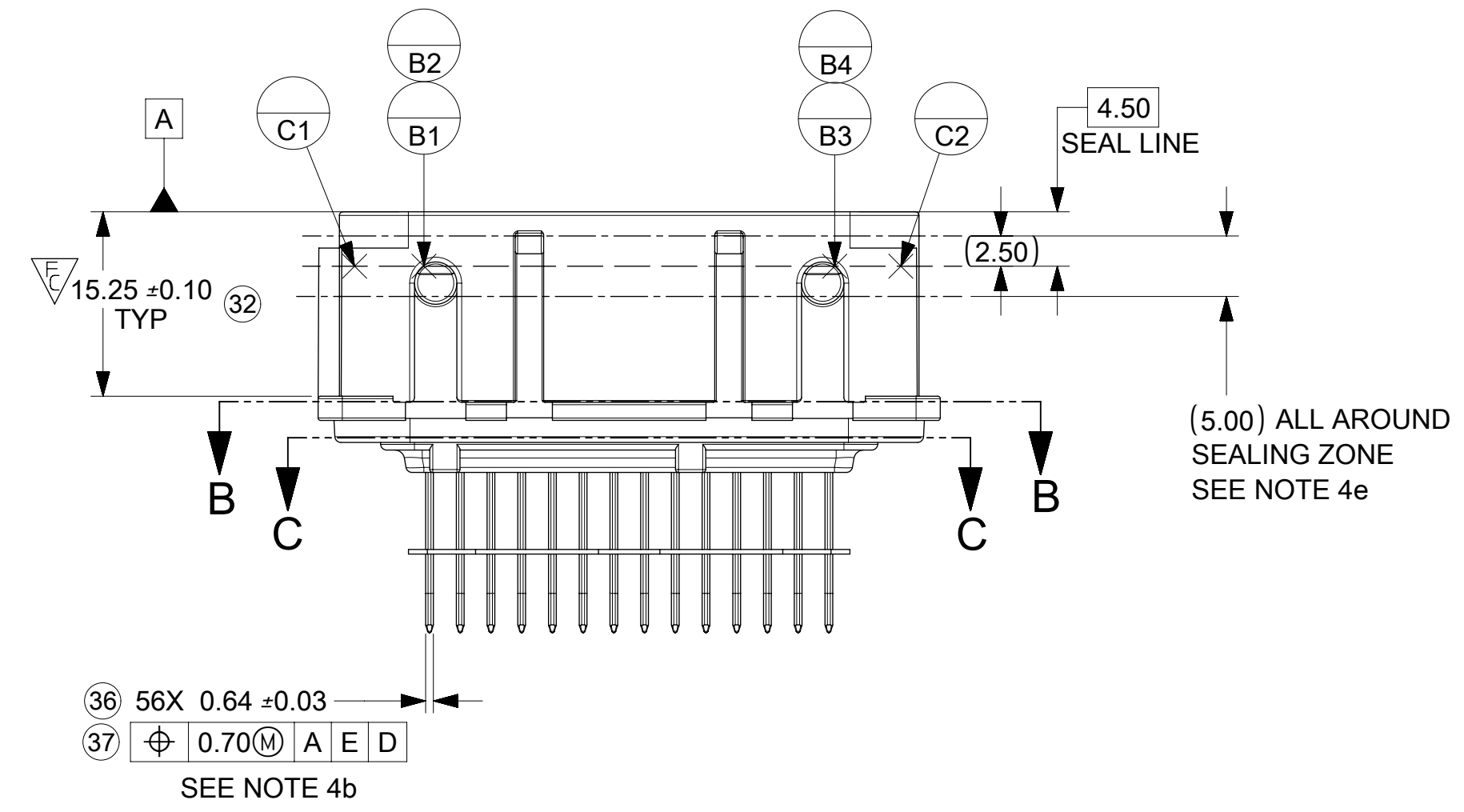
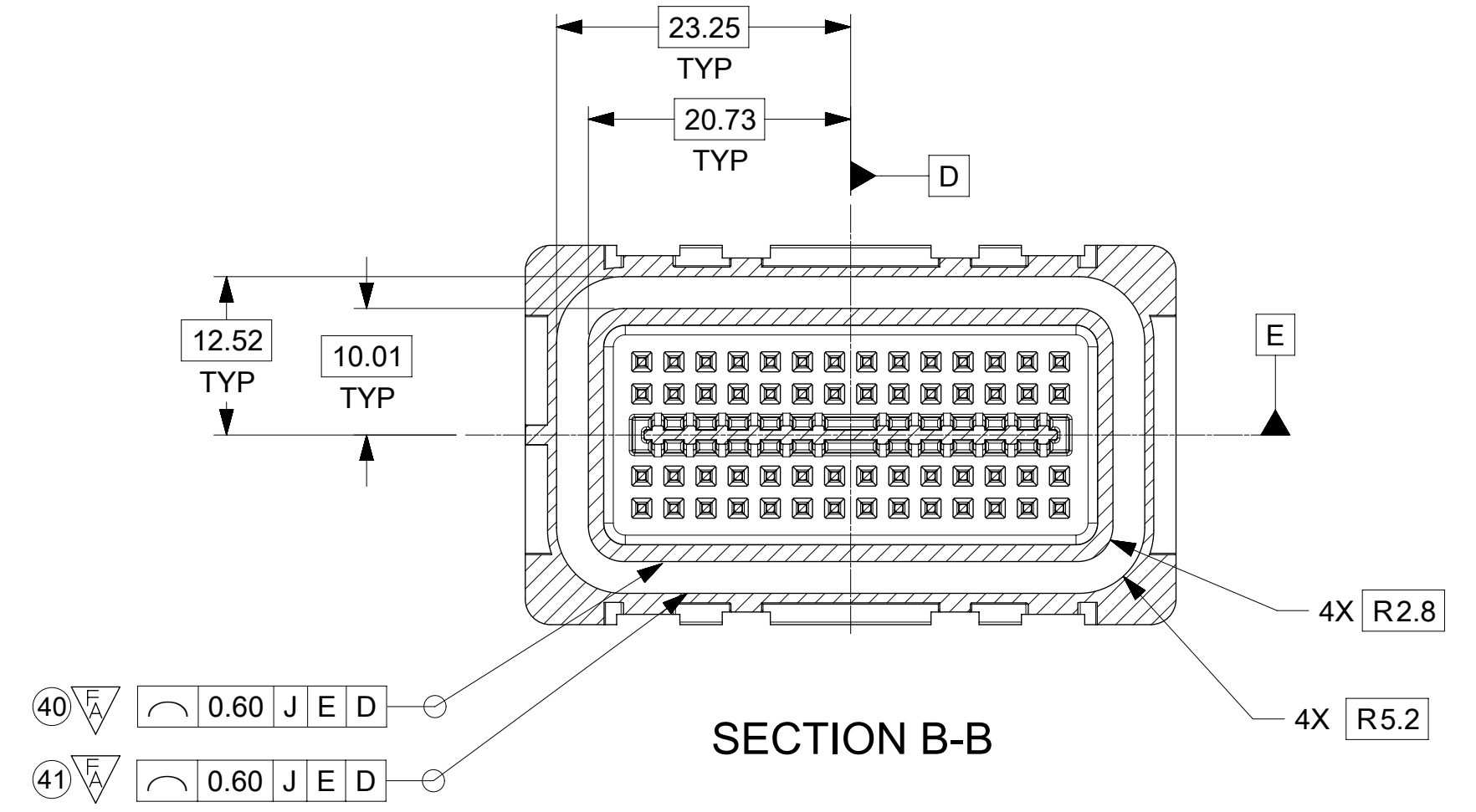
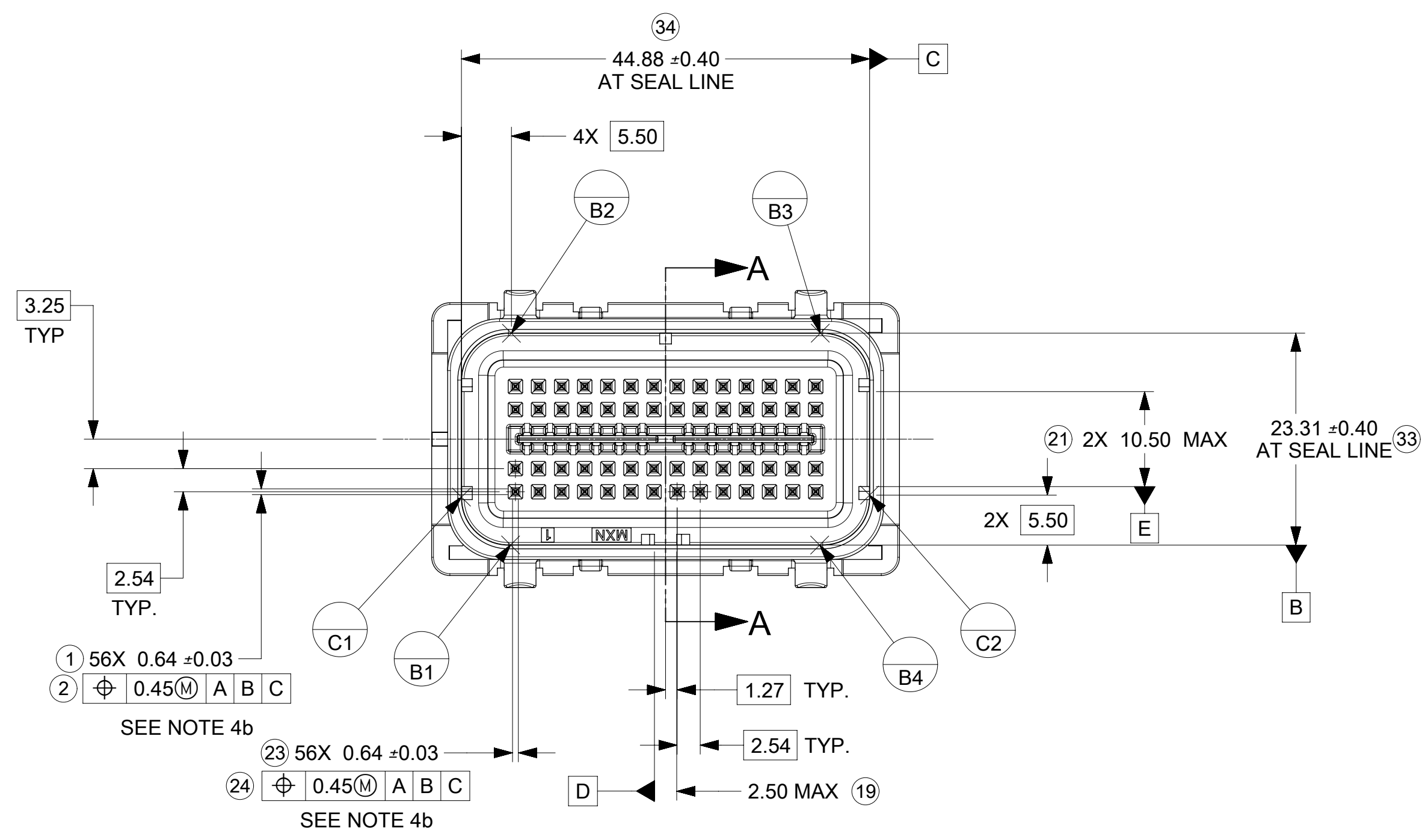
- a. THIS IS A 100% CAD GENERATED PART. THE CAD MATHEMATICAL DATA IS THE MASTER FOR ALL NON-DIMENSIONAL FEATURES. DRAWING DIMENSIONS SHALL BE MET WHEN DIFFERENCES EXIST BETWEEN THE DRAWING AND THE CAD MODEL. UNDERLINED DIMENSIONS OR DIMENSIONS INDICATED AS "EDITED" MAY BE DIFFERENT FROM THE 3D MODEL GEOMETRY. FOR DIMENSIONAL OR ANY INFORMATION NOT SHOWN ON THIS DRAWING, ANALYZE THE CAD MODEL.
- b. PRODUCT DESIGN MODEL NUMBER(S): SEE BOM TABLE
- c. GEOMETRIC DIMENSIONS AND TOLERANCES PER ASME Y14.5M-1994
- d. GENERAL TOLERANCES: - SEE TABLE

4. DESIGN - MANUFACTURING:

- a. HUMAN READABLE LASER MARKIING
 - 1. INFORMATION TO BE PRINTED:
 - DDDY - 4 DIGIT JULIAN DATE CODE
 - S_HH - STITCHER NUMBER_HOUR NUMBER (24 HOUR CLOCK)
 - MMMM - LAST FOUR DIGITS OF MOLEX MATERIAL NUMBER
 - 2. SIZE: HUMAN LEGIBLE
- b. PIN MATE SIDE AND PCB SIDE TRUE POSTION TO BE VERIFIED ONLINE WITH A GO/NO GO FUNCTIONAL GAGE.
- c. ANTI-TARNISH FOR Ag PLATING ONLY: SYTHETIC HYDROCARBON CONTACT SURFACE FINISH OR EQUIVALENT APPLIED WITHOUT VOID TO CONTACT AREA (MIN. 3.7mm FROM PIN TIP).
- d. VISUAL DEFECTS SHALL MEET COSMETIC STANDARD PS-45499-002 (CLASS B)
- e. THERE SHALL BE NO PERMISSIBLE DEFECTS THAT COULD POTENTIALLY PROHIBIT THE FUNCTIONALITY WITHIN THE SEALING SURFACE/ZONE SUCH AS PARTING LINES, MISMATCHES, SINK, TEXTURE VARIATIONS, SCRATCHES/GOUGES, SHORT FILL, PROTRUSIONS, PITS, DENTS/NICKS, BLISTERS OR EJECTOR MARKS.

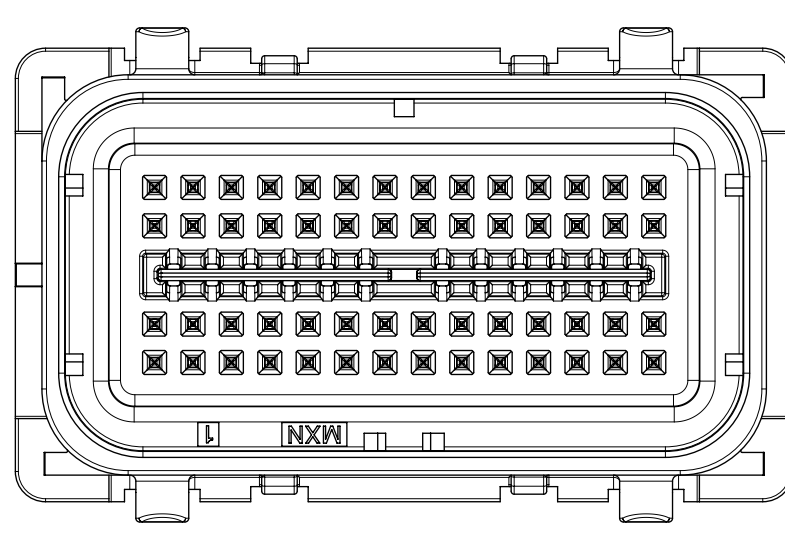
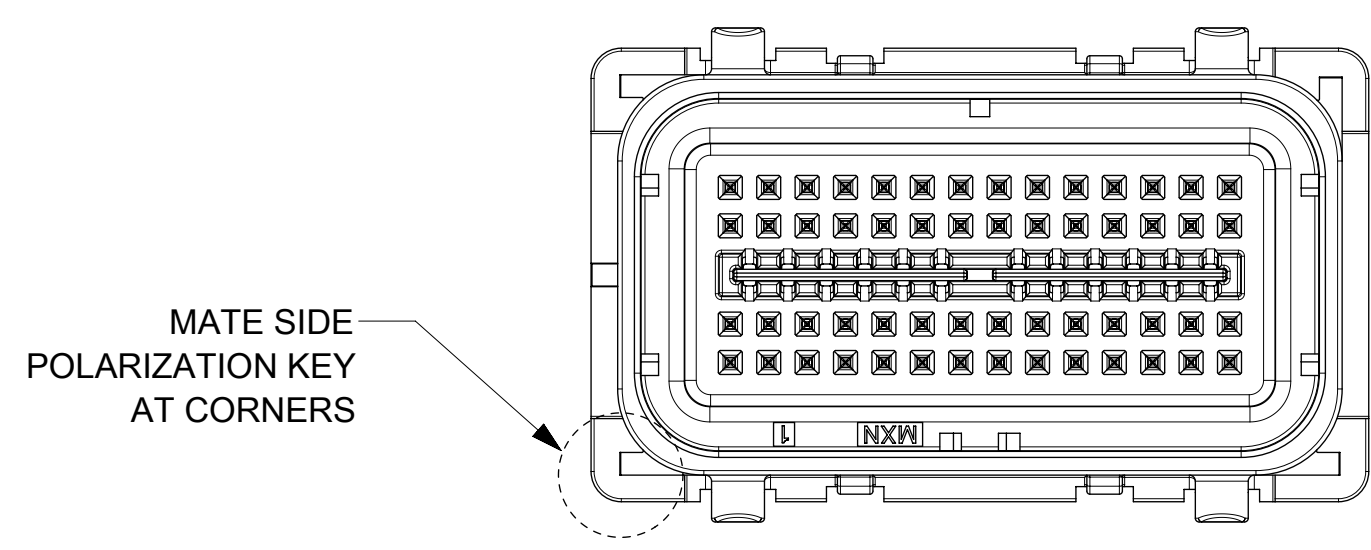
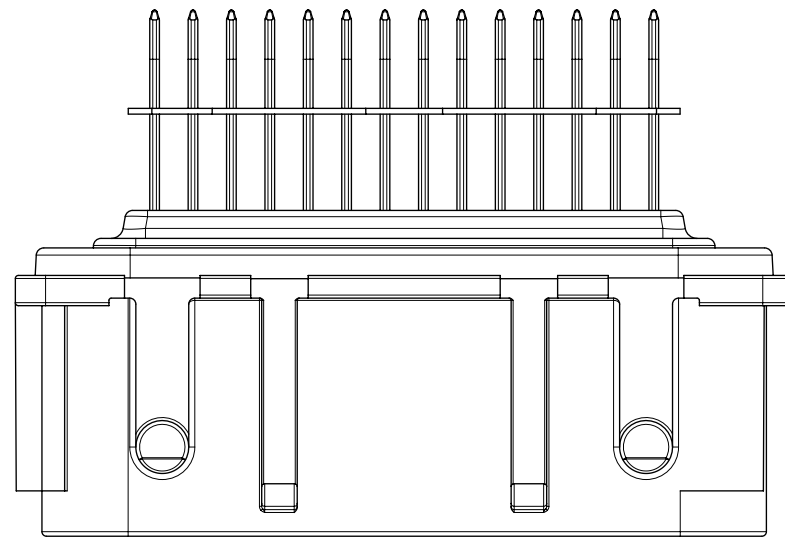
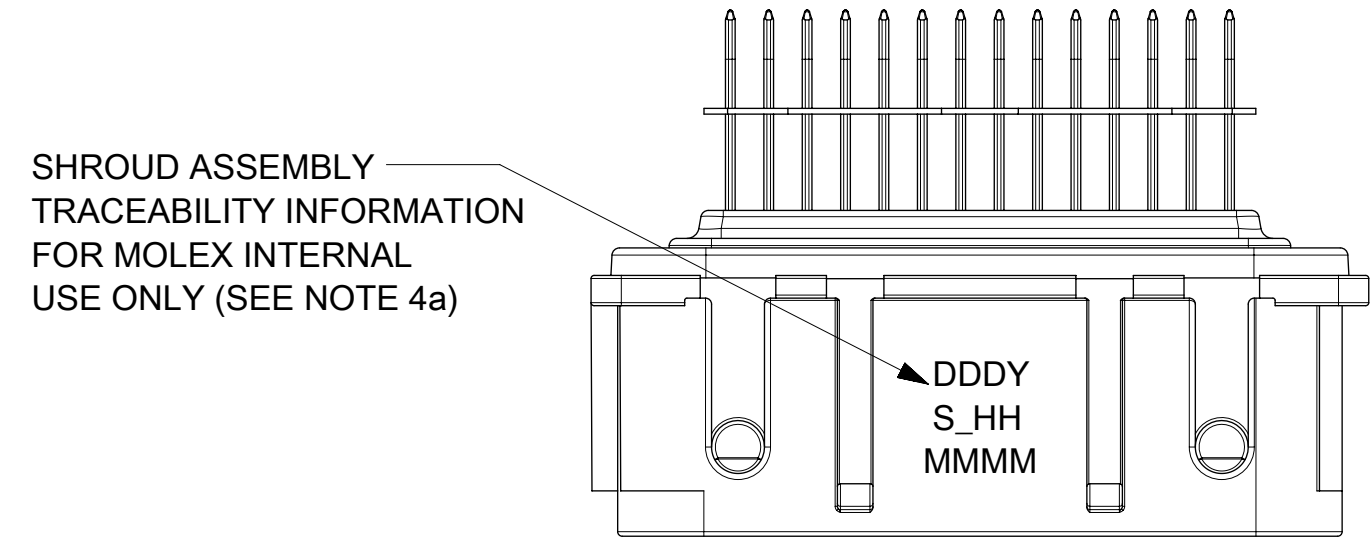
B13	UPDATED PCN 505530 FOR MINOR DRAFT AND RADII
B12	NX REMASTERING
B11	UPDATED NOTE 1c SAP# 10607192
B9	Ag PARTS TO SALEABLE SAP# 10594581
B8	ADDED NOTE 4d, e & SEALING ZONE ON PG 2 SAP# 10586362
B7	EDITED DIM & NOTES REMOVED NOTES 3e-3i & 4a-4l FROM PREVIOUS REV SAP# 10580347
B6	EDITED STATUS OF Ag PARTS SAP# 10579378
B5	EDITED DIMS, ADDED NOTES ON SHEET 1, DATUM D & E, UPDATED VIEWS AND FUNCTIONALS SAP# 10576862
REV	DESCRIPTION

INSPECTION BALLOON # LOG									
PER DRAWING REVISION: B8 LAST BALLOON NUMBER USED: 47 ADDED BALLOON NUMBERS: 1, 2, 8, 17, 18, 19, 21, 23, 24, 26-44, 46, 47 REMOVED BALLOON NUMBERS: 3-7, 9-16, 20, 22, 25									
QUALITY SYMBOLS	THIS DRAWING CONTAINS INFORMATION THAT IS PROPRIETARY TO MOLEX ELECTRONIC TECHNOLOGIES, LLC AND SHOULD NOT BE USED WITHOUT WRITTEN PERMISSION								
	EC NO: 606583 DRWN: BSKANTHARAJU CHKD: DKRAWCZYK REV APPR: DKRAWCZYK	GENERAL TOLERANCES (UNLESS SPECIFIED)		DIMENSION UNITS	SCALE	 56 CKT SHROUD ASSEMBLY 0.64 SQ. PINS MX123 PRODUCT CUSTOMER DRAWING SERIES: 31386 MATERIAL NUMBER: SEE CHART CUSTOMER: GENERAL MARKET DOCUMENT NUMBER: SD-31386-056 DOC TYPE: PSD DOC PART: 000 SHEET NUMBER: 1 OF 3			
		ANGULAR TOL \pm 3.0 °		MM	2:1				
		4 PLACES \pm		DRWN BY	DATE				
		3 PLACES \pm		FJAKLIC	04/30/08				
		2 PLACES \pm 0.13		CHKD BY	DATE				
		1 PLACE \pm 0.25		FJAKLIC	04/30/08				
		0 PLACES \pm		APPR BY	DATE				
		DRAFT WHERE APPLICABLE MUST REMAIN WITHIN DIMENSIONS		GPRATT	05/05/08				
		DRAFT WHERE APPLICABLE MUST REMAIN WITHIN DIMENSIONS		DRAWING SIZE	THIRD ANGLE PROJECTION				
		DRAFT WHERE APPLICABLE MUST REMAIN WITHIN DIMENSIONS		D					



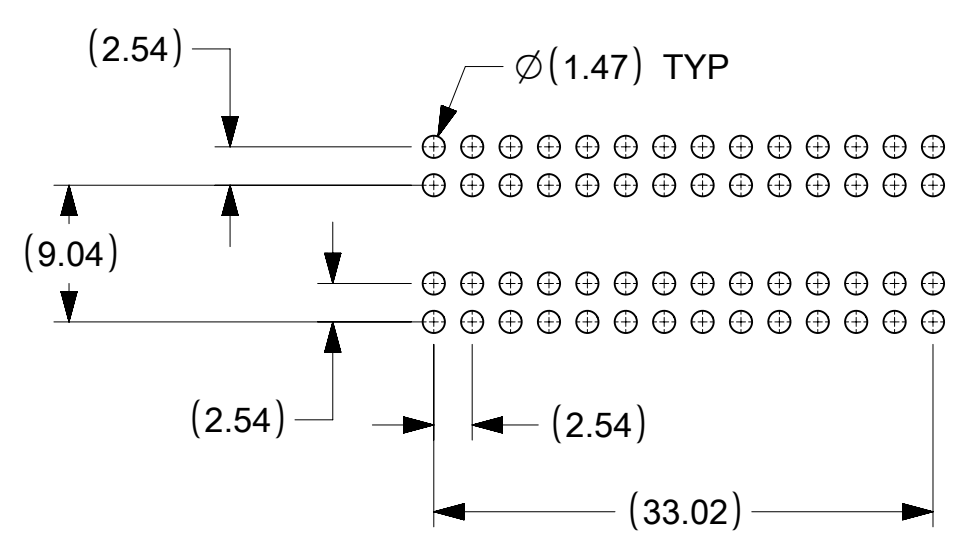
THIS DRAWING CONTAINS INFORMATION THAT IS PROPRIETARY TO MOLEX ELECTRONIC TECHNOLOGIES, LLC AND SHOULD NOT BE USED WITHOUT WRITTEN PERMISSION										
QUALITY SYMBOLS	GENERAL TOLERANCES (UNLESS SPECIFIED)				DIMENSION UNITS	SCALE				56 CKT SHROUD ASSEMBLY 0.64 SQ. PINS MX123
▽ = 4 ▽ = 3 ▽ = 0 ▽ = 0 ▽ = 0 ▽ = 0 ▽ = 0	ANGULAR TOL ± 3.0 ° 4 PLACES ± 3 PLACES ± 2 PLACES ± 0.13 1 PLACE ± 0.25 0 PLACES ± DRAFT WHERE APPLICABLE MUST REMAIN WITHIN DIMENSIONS				MM	2:1				
EC NO: 606583 DRWN: BSKANTHARAJU CHKD: DKRAWCZYK REV: APPR: DKRAWCZYK	2018/10/12 2018/12/10 2018/12/10	DRWN BY: FJAKLIC CHKD BY: FJAKLIC APPR BY: GPRATT		DATE: 04/30/08 DATE: 04/30/08 DATE: 05/05/08	DRAWING SIZE: D THIRD ANGLE PROJECTION		SERIES: 31386	MATERIAL NUMBER: SEE CHART	CUSTOMER: GENERAL MARKET	
RELEASE STATUS: B13		RELEASE DATE:		DOCUMENT NUMBER: SD-31386-056		DOC TYPE: PSD	DOC PART: 000	SHEET NUMBER: 2 OF 3		

SHROUD ASSEMBLY NUMBER	MATE SIDE PIN FINISH	HOUSING COLOR	HARNESS SIDE KEY CODE	PCB SIDE KEY LOCATION		MATING HARNESS PART NUMBER (OPT 0, OPT 9)	STATUS
				DIM. "A" ±0.30	DIM. "B" ±0.30		
31386-2001	GOLD	BLUE	G	6.35	26.67	345760703 345761903	SALEABLE
31386-2002	GOLD	GRAY	H	1.27	21.59	345760803 345762003	SALEABLE
31386-2020	SILVER	BLUE	G	6.35	26.67	345760703 345761903	SALEABLE
31386-2021	SILVER	GRAY	H	1.27	21.59	345760803 345762003	SALEABLE



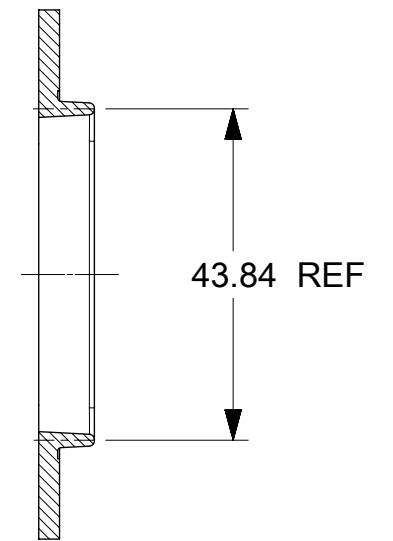
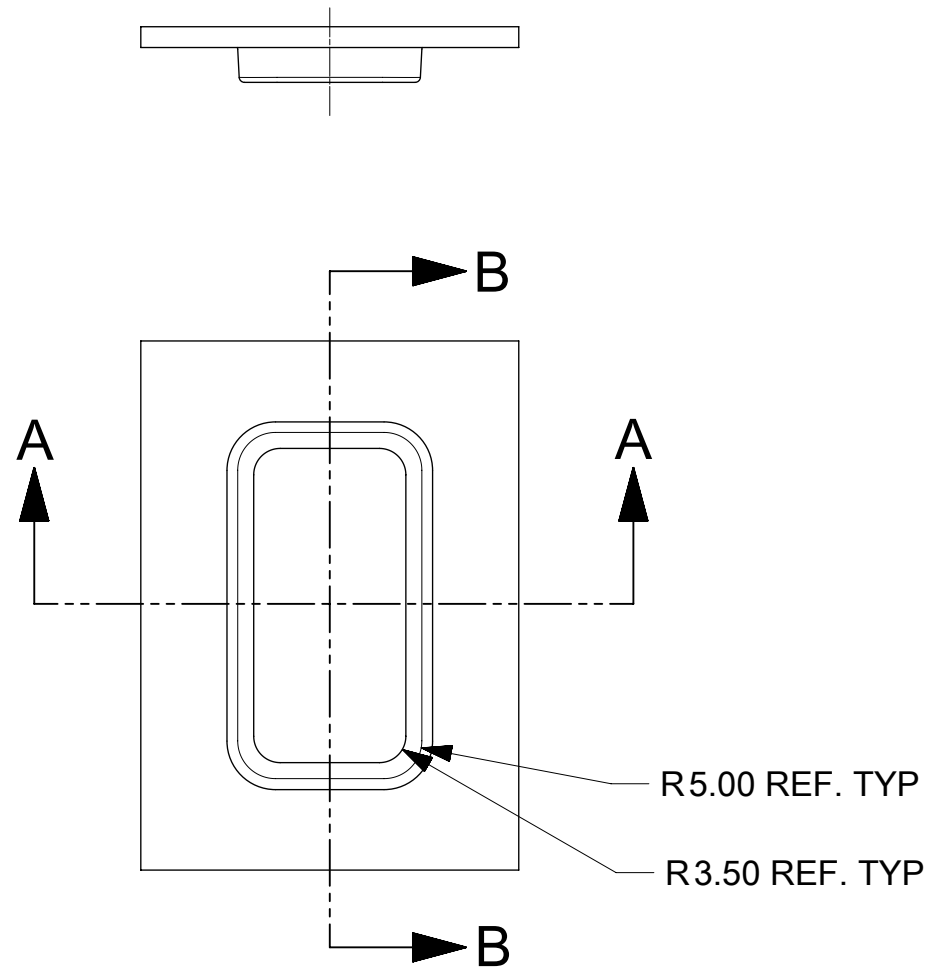
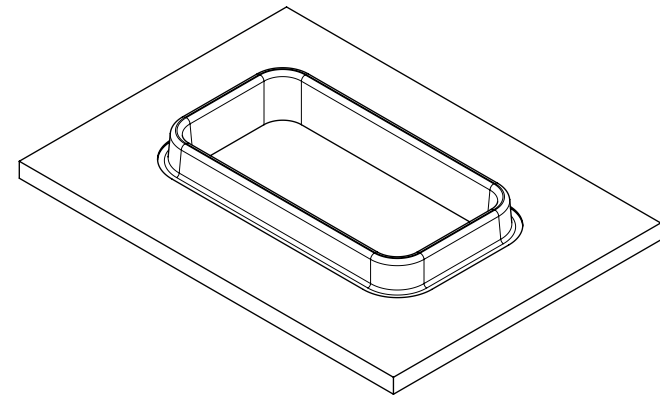
KEY OPTION "G"

KEY OPTION "H"

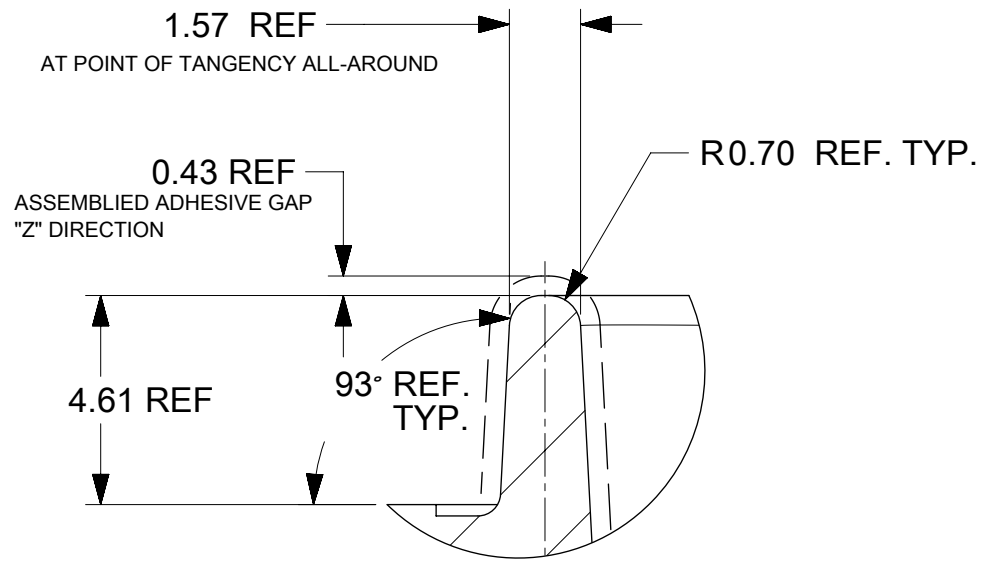


PCB LAYOUT FOR REFERENCE ONLY

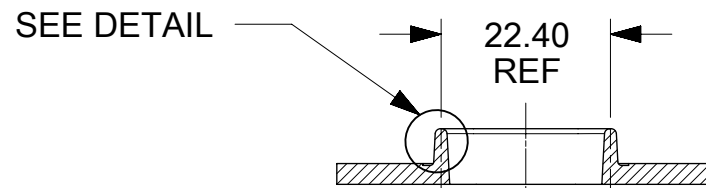
QUALITY SYMBOLS 	THIS DRAWING CONTAINS INFORMATION THAT IS PROPRIETARY TO MOLEX ELECTRONIC TECHNOLOGIES, LLC AND SHOULD NOT BE USED WITHOUT WRITTEN PERMISSION			
	EC NO: 606583 DRWN: BSKANTHARAJU CHKD: DKRAVCZYK REV APPR: DKRAVCZYK	2018/10/12 2018/12/10 2018/12/10	GENERAL TOLERANCES (UNLESS SPECIFIED) ANGULAR TOL ± 3.0 ° 4 PLACES ± 3 PLACES ± 2 PLACES ± 0.13 1 PLACE ± 0.25 0 PLACES ± DRAFT WHERE APPLICABLE MUST REMAIN WITHIN DIMENSIONS	DIMENSION UNITS: MM SCALE: 2:1 DRWN BY: FJAKLIC DATE: 04/30/08 CHKD BY: FJAKLIC DATE: 04/30/08 APPR BY: GPRATT DATE: 05/05/08
RELEASE STATUS B13	RELEASE DATE 05/05/08	SERIES: 31386 MATERIAL NUMBER: SEE CHART CUSTOMER: GENERAL MARKET	DOCUMENT NUMBER: SD-31386-056 DOC TYPE: PSD DOC PART: 000 SHEET NUMBER: 3 OF 3	



SECTION B-B



SCALE 6:1



SECTION A-A

SEE DETAIL

THIS DRAWING CONTAINS INFORMATION THAT IS PROPRIETARY TO MOLEX ELECTRONIC TECHNOLOGIES, LLC AND SHOULD NOT BE USED WITHOUT WRITTEN PERMISSION

EC NO: 121890 DRWN: BSKANTHARAJU CHKD: APPR: DKRAWCZYK	2017/03/28	GENERAL TOLERANCES (UNLESS SPECIFIED) ANGULAR TOL ± ° 4 PLACES ± 3 PLACES ± 2 PLACES ± 1 PLACE ± 0 PLACES ± DRAFT WHERE APPLICABLE MUST REMAIN WITHIN DIMENSIONS	DIMENSION UNITS	SCALE						
	2017/10/12		MM	1:1						
			DRWN BY	DATE					FJAKLIC 11/21/2008	
				CHK'D BY	DATE	GPRATT 11/21/2008		PRODUCT CUSTOMER DRAWING		
				APPR BY	DATE	DKRAWCZYK 2013/02/19		SERIES	MATERIAL NUMBER	CUSTOMER
		DRAWING SIZE	THIRD ANGLE PROJECTION	B		31386		GENERAL MARKET		
						DOCUMENT NUMBER	DOC TYPE	DOC PART	SHEET NUMBER	
						SD-31386-156	PSD	000	1 OF 1	

RELEASE STATUS	RELEASE DATE
----------------	--------------