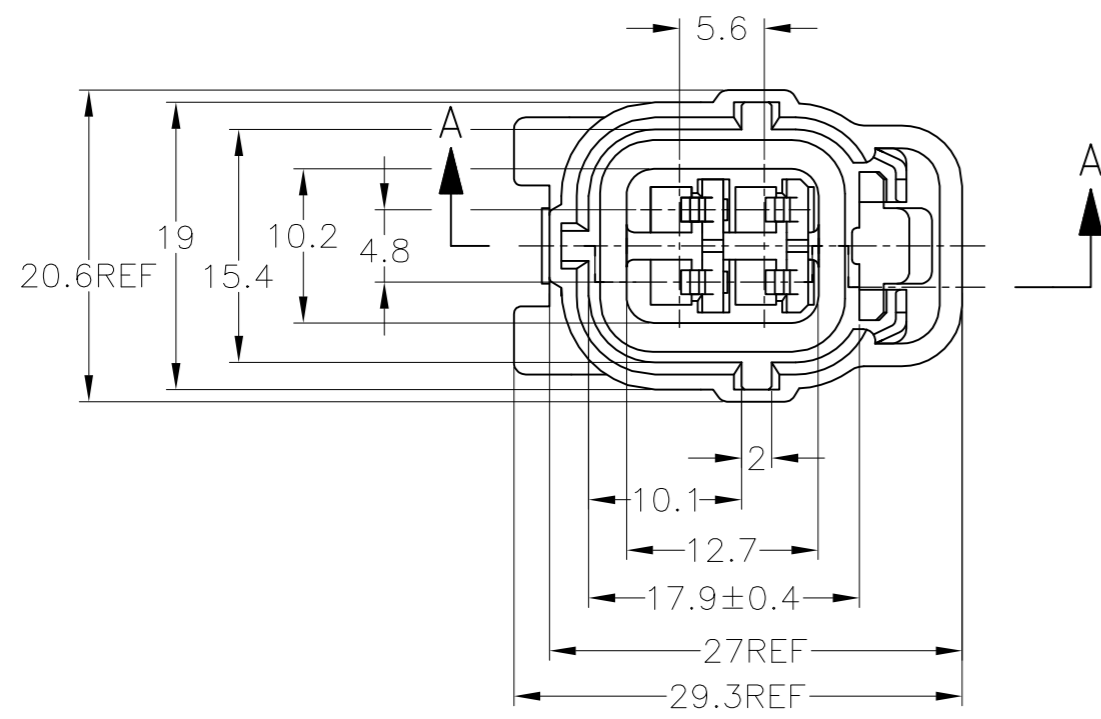
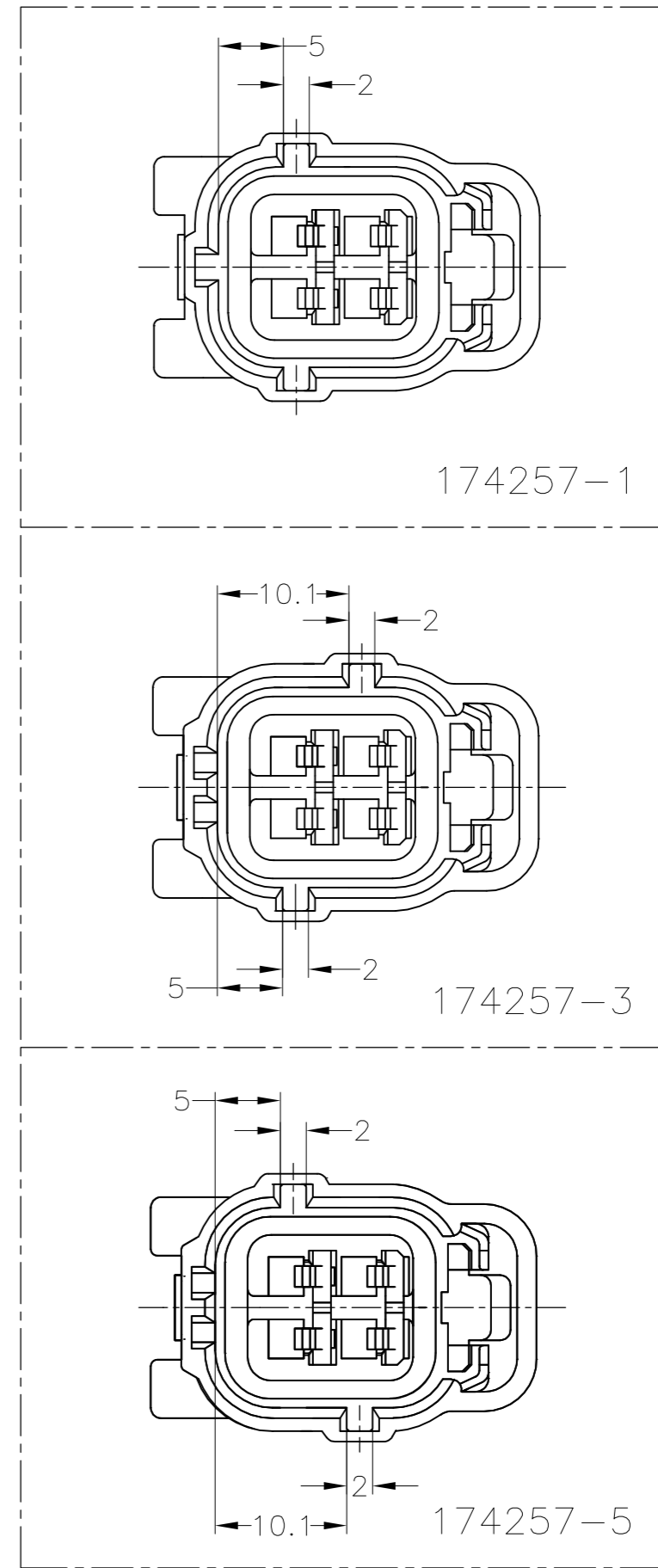
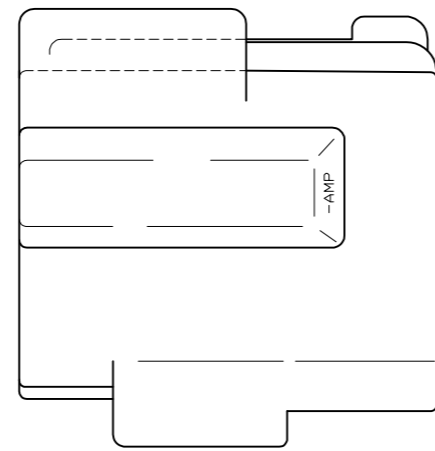
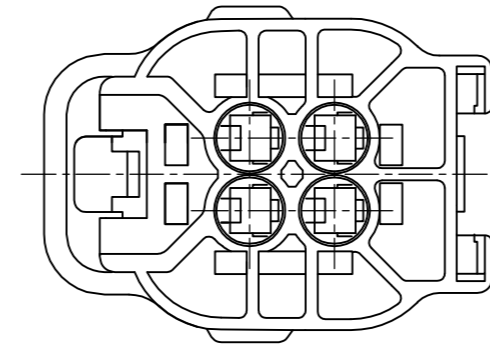
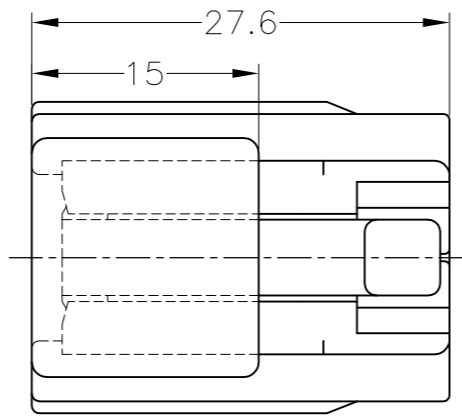
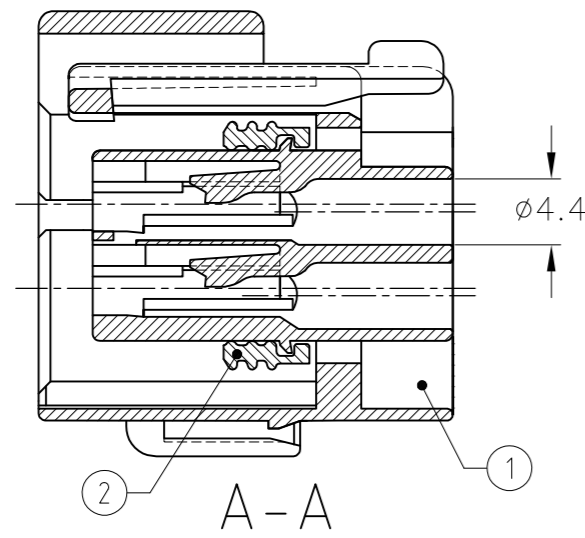


THIS DRAWING IS UNPUBLISHED. RELEASED FOR PUBLICATION
 © COPYRIGHT - By - ALL RIGHTS RESERVED.

LOC	DIST	REVISIONS				
		P	LTR	DATE	DWN	APVD
J	-	F1	REVISED PER ECO-11-005140	28MAR11	RK	HMR



174257-2, 1-174257-2



1. 嵌合相手型番: 174259, 173915
2. 本品はプラグハウジング単体にシールリングがアッセンブリされたものである。
3. 本品はダブルロックプレート型番 174258を装着して使用する。

1. FOR CAP HOUSING PN 174259, 173915
2. THIS PART IS COMPOSED OF PLUG HOUSING AND SEAL RING
3. THIS PART MUST BE USED WITH DOUBLE LOCK PLATE PN 174258

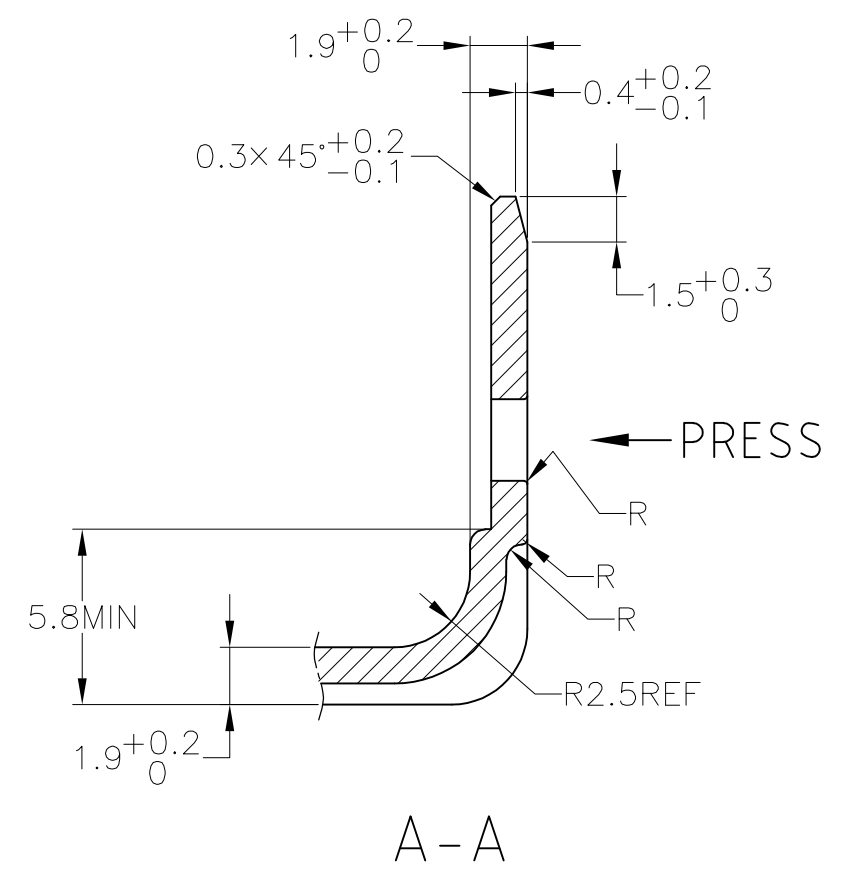
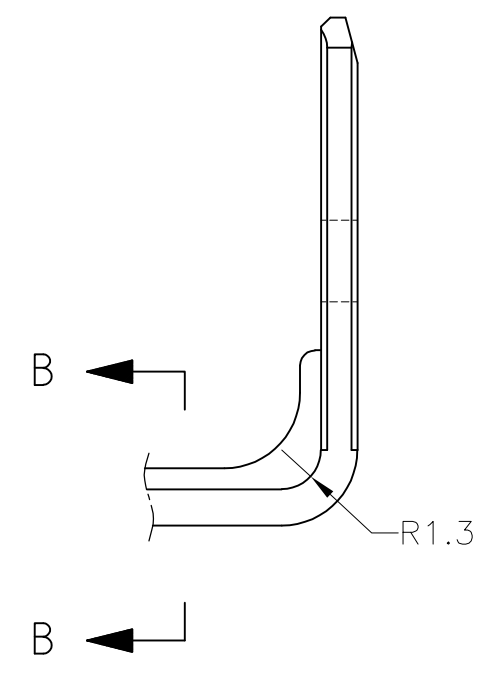
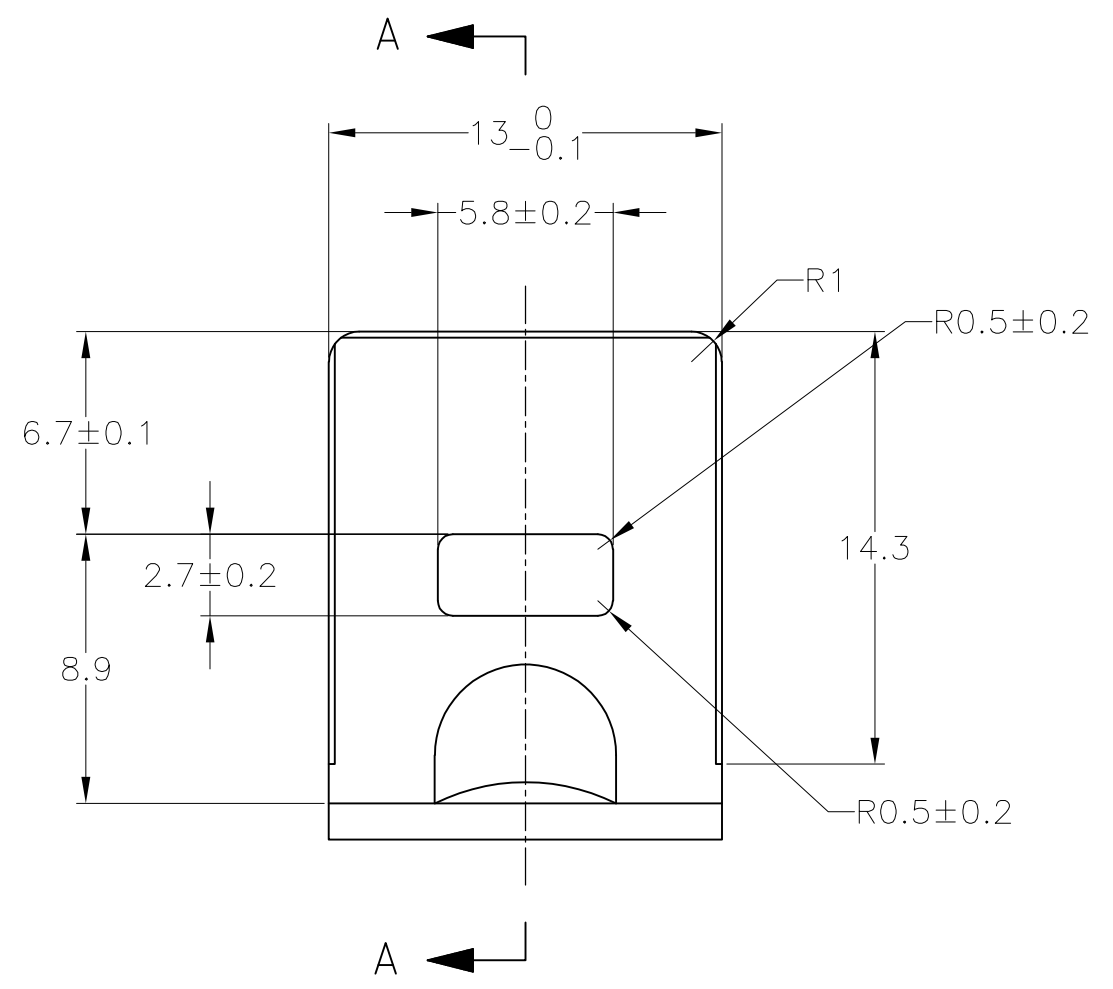
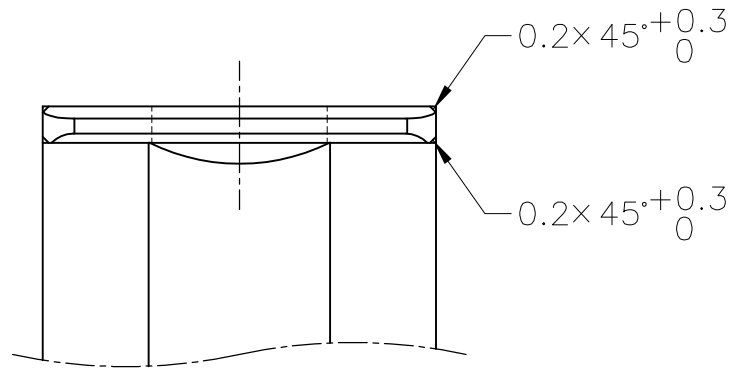
SUPERSEDED BY 174257-NTC	SILICON / BLACK	PBT / BROWN	174257-5
	SILICON / BLACK	PBT / BLACK	174257-4
	SILICON / BLACK	PBT / DARK GRAY	174257-3
	NBR / GRAY	PBT / BLACK	1-174257-2
	SILICON / BLACK	PBT / BLACK	174257-2
	SILICON / BLACK	PBT / GRAY	174257-1
② SEAL RING	① PLUG HOUSING	PART NUMBER	
MATERIAL / COLOR			

THIS DRAWING IS A CONTROLLED DOCUMENT.		DWN T.SHINOHARA 09FEB04	TE Connectivity	
DIMENSIONS: 単位: 純 mm		CHK K.BETSUI 09FEB04	NAME 名称 4Pos. ECONOSEAL J-MARKII+ CONNECTOR PLUG HOUSING	
TOLERANCES UNLESS OTHERWISE SPECIFIED: 一般公差		APVD K.BETSUI 09FEB04	DRAWING NO 番号 C=174257	
0 < x ≤ 10 : ±0.2 10 < x ≤ 30 : ±0.25 30 < x ≤ 100 : ±0.3 ANGLE : ±3°		PRODUCT SPEC 製品規格 108-5262	SIZE A2	RESTRICTED TO -
MATERIAL 材料 SEE TABLE		APPLICATION SPEC 取付適用規格 114-5082	CAGE CODE 00779	SHEET 1 of 2
FINISH 仕上 -		WEIGHT 7.9g	SCALE 尺度 2:1	REV F1
CUSTOMER DRAWING			SCALE 尺度 2:1	

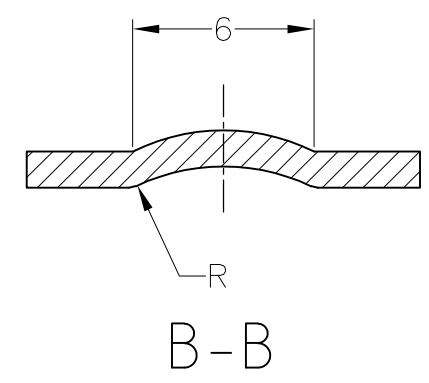
THIS DRAWING IS UNPUBLISHED. RELEASED FOR PUBLICATION
 © COPYRIGHT - By - ALL RIGHTS RESERVED.

LOC	DIST	REVISIONS					
J	-	P	LTR	DESCRIPTION	DATE	DWN	APVD
		-		SEE SHEET 1	-	-	-

ブラケット推奨寸法図
 RECOMMENDED DIMENSION OF BRACKET



t = 1.2 ± 0.08



TOLERANCE UNLESS OTHERWISE SPECIFIED: 一般公差

0 < x ≤ 10	: ±0.2
10 < x ≤ 30	: ±0.25
30 < x ≤ 100	: ±0.3
ANGLE ; 角度	: ±3°

THIS DRAWING IS A CONTROLLED DOCUMENT.		DWN T.SHINOHARA 09FEB04	TE Connectivity													
DIMENSIONS: 単位: 耗 mm		CHK K.BETSUI 09FEB04														
TOLERANCES UNLESS OTHERWISE SPECIFIED: 一般公差		APVD K.BETSUI 09FEB04	NAME 4Pos. ECONOSEAL J-MARKII+ CONNECTOR PLUG HOUSING													
<table border="1"> <tr><td>0 PLC</td><td>± -</td></tr> <tr><td>1 PLC</td><td>± -</td></tr> <tr><td>2 PLC</td><td>± -</td></tr> <tr><td>3 PLC</td><td>± -</td></tr> <tr><td>4 PLC</td><td>± -</td></tr> <tr><td>ANGLES</td><td>± -</td></tr> </table>		0 PLC	± -	1 PLC	± -	2 PLC	± -	3 PLC	± -	4 PLC	± -	ANGLES	± -	PRODUCT SPEC 製品規格	SIZE A3	
0 PLC	± -															
1 PLC	± -															
2 PLC	± -															
3 PLC	± -															
4 PLC	± -															
ANGLES	± -															
MATERIAL 材料		APPLICATION SPEC 取付適用規格	CAGE CODE 00779	DRAWING NO. 174257												
FINISH 仕上		WEIGHT	RESTRICTED TO	SCALE 4:1												
		CUSTOMER DRAWING	SHEET 2 OF 2	REV F1												