

US-159

Isolated High Retention USB 1 Port RS232

- 1 Port Isolated RS-232 USB to Serial Adapter
- Isolation: Avoid electrical damage to your expensive equipment
- High Retention USB connector with 50cm USB cable
- Works where many other USB to Serial devices do not
- Industrial Specification IP-50 rated -40 °C to +80 °C / -40 °F to +176 °F
- Lifetime Warranty and Support



Ultra small USB to serial adapter suitable for any environment

The US-159 has 2kV of isolation, protecting from high voltage spikes and ground potential difference. We provide our own software drivers - eliminating many common problems with USB to Serial - giving you a reliable, stable, native com port solution.

2kV Isolation

ESD protection to IEC 61000-4-2:

Contact discharge: ± 8 kV

Air gap discharge: ± 15 kV



"I have tried many off the shelf USB to Serial adapters. Some break easily, others only work some of the time. Brainboxes installed in seconds and could communicate with anything I threw at it, I would recommend this device to anyone."

Colin Young, Nutek Europe



Drivers for all popular operating systems including latest Windows

The high retention USB connection requires a minimum withdrawal requirement of 15N (thats a force of 1.5Kg or 3.4lbs). Connectors have orange color-coded insulator to differentiate from standard USB connectors. The connection is so strong that the port is capable of taking the weight of a bottle of champagne.



Housing and connectors

IP-50 rated non-conducting polyamide case

DB9 Connector - 9 Pin Male

High Retention USB Connector

Wall mounting screw recess

Environmental

Operating Temperature -40 °C to +80 °C / -40 °F to +176 °F

Power Supply

Power Consumption 100mA @ 5V

Power Supply input +5V through USB cable (supplied)



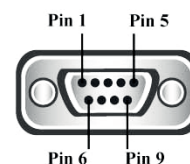
Port Settings - RS232

Baud Rate	From 0 up to 460 kBaud - Any custom Baud rate accepted
Data Bits	5,6,7 or 8
Parity	Odd, Even, None, Mark or Space
Stop Bits	1 or 2
Flow Control	RTS/CTS, XON/XOFF
Tx/Rx Modes	Point to Point

RS232

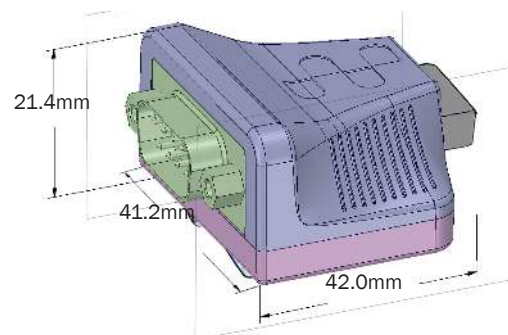
Pin 1	
Pin 2	RXD
Pin 3	TXD
Pin 4	
Pin 5	GND
Pin 6	
Pin 7	RTS
Pin 8	CTS
Pin 9	

RS232 Pinout (9 Pin Male)



IP-50 rated non-conducting case

Wall mounting option



Lifetime Warranty and Support:

We can help with every aspect of your project, from getting you up and running to custom application.



Optional: US-063 USB Type A Plug to Type B Plug 1000mm



1m cable available: US-063

Brainboxes have additional and alternative length cables available that are compatible with this product

Packaging Information

Packaging	Installation CD including manual, Microsoft signed drivers & utilities, Quick Start Guide
Packaged Weight	0.155 kg, 5.47 ounces
Packaged Dims	160x135x45 mm, 6.3x5.3x1.8 inches
GTIN Universal Code	837324003802