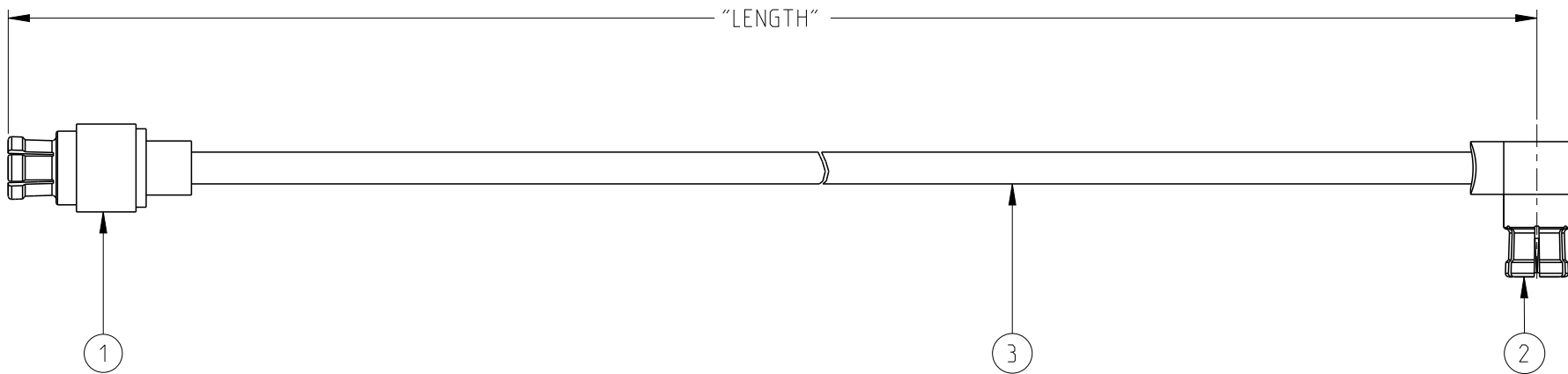


| TABLE 1      |           |
|--------------|-----------|
| MODEL NUMBER | LENGTH    |
| 415-0531-006 | 6.00±.15  |
| 415-0531-012 | 12.00±.25 |

| REV | ECO             | DATE      |
|-----|-----------------|-----------|
| 1   | INITIAL RELEASE | 6/24/2021 |
|     |                 |           |



| PART LIST |     |                 |
|-----------|-----|-----------------|
| ITEM      | QTY | DESCRIPTION     |
| 1         | 1   | SMPM STR FEMALE |
| 2         | 1   | SMPM RA FEMALE  |
| 3         | AR  | CABLE           |

NOTES: UNLESS OTHERWISE SPECIFIED.

1. CABLE ASSEMBLY DIELECTRIC WITHSTANDING VOLTAGE: 500 VRMS FOR A PERIOD OF ONE MINUTE.
2. CABLE ASSEMBLIES TO BE 100% TESTED FOR VOLTAGE AND CONTINUITY.

|  |  |                        |  |                      |                                   |
|--|--|------------------------|--|----------------------|-----------------------------------|
| <p>This PROPRIETARY Document is property of Cinch Connectivity Solutions. It is confidential in nature, non-transferable, and issued with the clear understanding that it is not traced or copied without permission and is returnable upon demand.</p> <p>INTERPRET DRAWING IN ACCORDANCE WITH ASME Y14.5-2009.</p> | Model No:  | 415-0531-001/999       |  | JOHNSON              |                                   |
|  | RoHS <input checked="" type="checkbox"/> (EU)/2015/863 COMPLIANT | Cage Code              | Title: CABLE ASSY. SMPM STR FEMALE TO SMPM RA FEMALE. .047" SEMI-RIGID |                      |                                   |
|  | UNLESS OTHERWISE SPECIFIED UNITS: INCH                           | 3RD ANGLE PROJECTION   | Drawing No.  |                      | REV.                              |
|  | .XX ± .01<br>.XXX ± .003<br>.XXXX ± .0010<br>ANGLE ± 2°          | Drawn by:<br>ROMAN YAO | 415-0531-001/999   |                      | 1                                 |
|  | Date:  | 6/24/2021              | Size A   | DO NOT SCALE DRAWING | Workmanship Std/Sheet NONE 1 OF 1 |