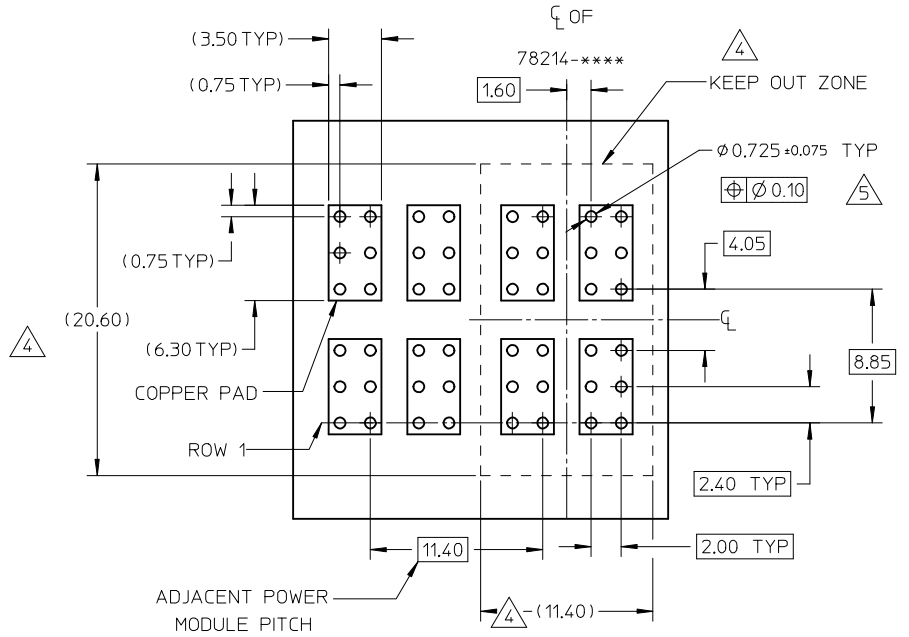
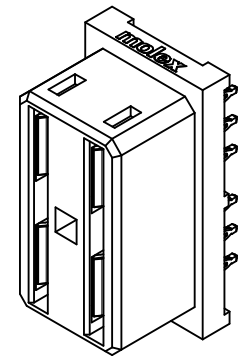
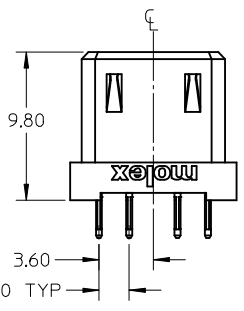
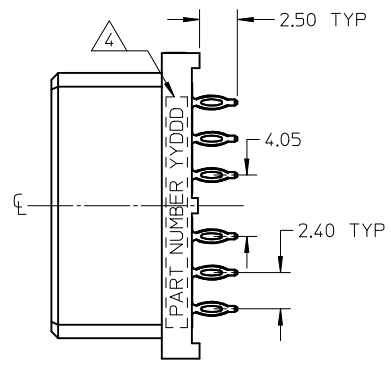
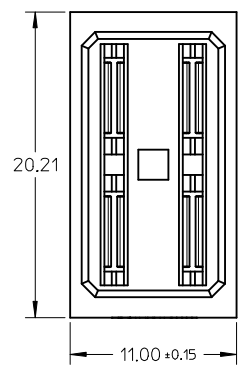


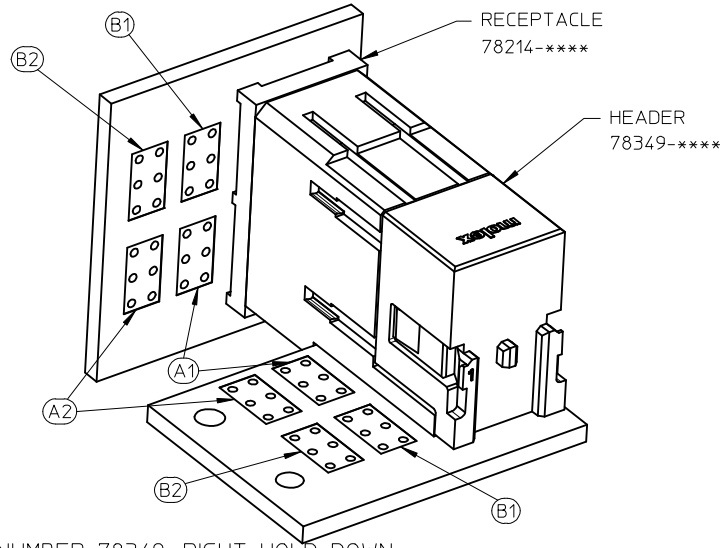
PART NUMBER	PLATING OPTION	PACKAGING
78214-1001	TIN PLATING	TRAY



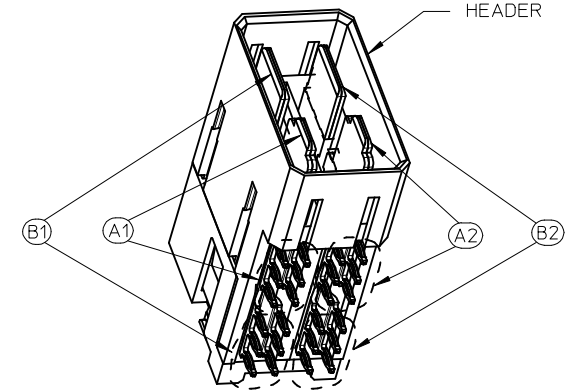
RECOMMENDED PCB LAYOUT  
(COMPONENT SIDE SHOWN)  
MINIMUM BOARD THICKNESS: 1.60mm

- NOTES:
- MATERIAL:  
HOUSING - LCP, GLASS FILLED, UL94-V0, COLOR: BLACK  
POWER PIN - COPPER ALLOY
  - FINISH OPTION:  
TIN - 0.76µm MINIMUM GOLD AT CONTACT AND  
2.54µm MINIMUM TIN AT SOLDER TAIL AREA OVER  
1.27µm MINIMUM NICKEL UNDERPLATE OVERALL.
  - PRODUCT SPECIFICATION: PS-78213-001.
  - KEEP OUT ZONE FROM OTHER COMPONENTS.
  - PCB NOTE FOR DIAMETER 0.725mm PLATED HOLE.  
- DRILLED HOLE SIZE IS 0.838mm  
- PLATED WITH 0.007mm MIN. TIN OVER  
0.03 TO 0.08mm COPPER UNDERPLATE TO ACHIEVE  
0.725±0.075mm HOLE.
  - MATES WITH 78349-\*\*\*\*.
  - PART NUMBER AND DATE CODE (YYDDD) APPROXIMATELY SHOWN.

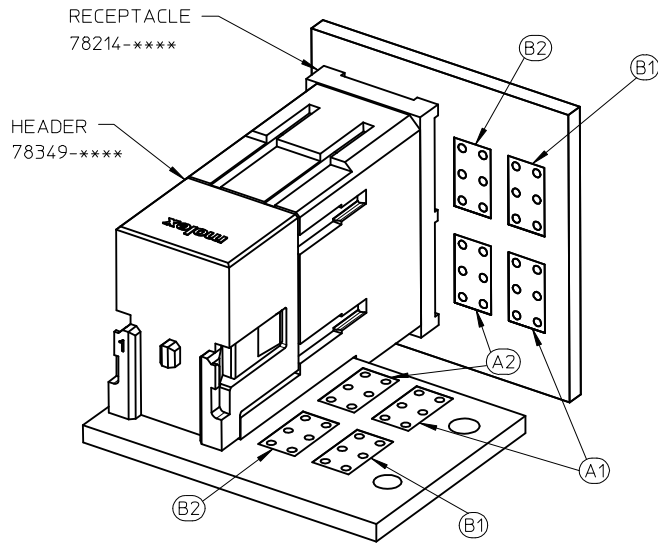
ADDED PG 2 EC NO: S2014-0872 DRWN: SHONG 2015/01/19 CHKD: HICGHH 2015/04/07 APPR: SHILENI 2015/04/07	QUALITY SYMBOLS	GENERAL TOLERANCES (UNLESS SPECIFIED)	DIMENSION STYLE	SCALE	DESIGN UNITS	THIRD ANGLE PROJECTION															
	▽=0 Ⓢ=0	<table border="1"> <tr> <td></td> <td>mm</td> <td>INCH</td> </tr> <tr> <td>4 PLACES</td> <td>± ---</td> <td>± ---</td> </tr> <tr> <td>3 PLACES</td> <td>± ---</td> <td>± ---</td> </tr> <tr> <td>2 PLACES</td> <td>± 0.25</td> <td>± ---</td> </tr> <tr> <td>1 PLACE</td> <td>± ---</td> <td>± ---</td> </tr> </table>		mm	INCH	4 PLACES	± ---	± ---	3 PLACES	± ---	± ---	2 PLACES	± 0.25	± ---	1 PLACE	± ---	± ---	MM ONLY	NTS	METRIC	⊙ □
		mm	INCH																		
	4 PLACES	± ---	± ---																		
3 PLACES	± ---	± ---																			
2 PLACES	± 0.25	± ---																			
1 PLACE	± ---	± ---																			
DESCRIPTION	DRAWN BY: LNG CHECKED BY: KWLOKE APPROVED BY: SHONG DATE: 2007/11/02 DATE: 2008/01/11 DATE: 2010/11/24	TITLE	IMPACT POWER, 4 PAIR VERTICAL RECEPTACLE PRESS-FIT																		
REV	DRAFT WHERE APPLICABLE MUST REMAIN WITHIN DIMENSIONS	MATERIAL NO. SEE TABLE	MOLEX INCORPORATED DOCUMENT NO. SD-78214-003	SHEET NO. 1 OF 2																	



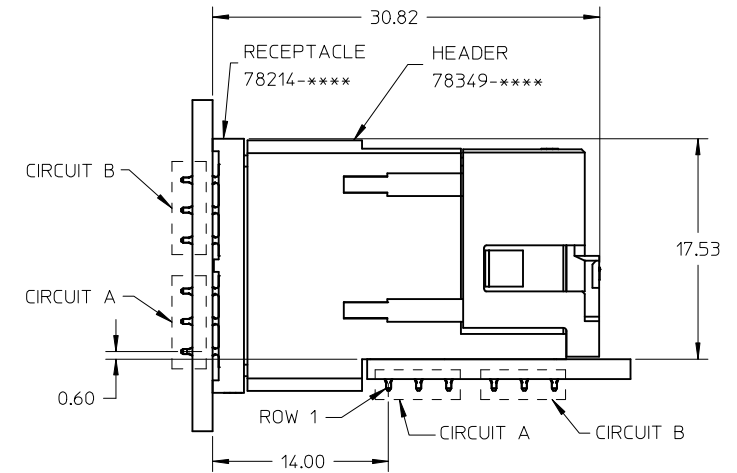
SERIES NUMBER 78349, RIGHT HOLD DOWN:  
1 POWER MODULE AND HOLD DOWN REMOVED TO  
ILLUSTRATE CIRCUIT PATH OF MATED SYSTEM



PIN NUMBER ASSIGNMENT BASED ON HEADER SIDE:  
A1, B1 ON THE LEFT,  
A2, B2 ON THE RIGHT.



SERIES NUMBER 78349, LEFT HOLD DOWN:  
1 POWER MODULE AND HOLD DOWN REMOVED TO  
ILLUSTRATE CIRCUIT PATH OF MATED SYSTEM



MATED SYSTEM FOR 78349 & 78214

ADDED PG 2 EC NO: S2014-0872 DRWN: SHONG CHKD: HICG0H APPR: SHLENI 2015/01/19 2015/04/07 2015/04/07	QUALITY SYMBOLS $F_A=0$ $F_E=0$ $F_P=0$	GENERAL TOLERANCES (UNLESS SPECIFIED)		DIMENSION STYLE MM ONLY		SCALE NTS	DESIGN UNITS METRIC	THIRD ANGLE PROJECTION		
			mm	INCH	DRAWN BY	DATE	TITLE			
		4 PLACES	± ---	± ---	LANG	2007/11/02	IMPACT POWER, 4 PAIR VERTICAL RECEPTACLE PRESS-FIT			
		3 PLACES	± ---	± ---	CHECKED BY	DATE				
2 PLACES	± 0.25	± ---	KWLOKE	2008/01/11	<b>molex</b>					
1 PLACE	± ---	± ---	APPROVED BY	DATE						
0 PLACE	±	±	SHONG	2010/11/24	MATERIAL NO.		DOCUMENT NO.		SHEET NO.	
DRAFT WHERE APPLICABLE MUST REMAIN WITHIN DIMENSIONS		ANGULAR ± 3 °		SEE TABLE		SD-78214-003		2 OF 2		
THIS DRAWING CONTAINS INFORMATION THAT IS PROPRIETARY TO MOLEX INCORPORATED AND SHOULD NOT BE USED WITHOUT WRITTEN PERMISSION										