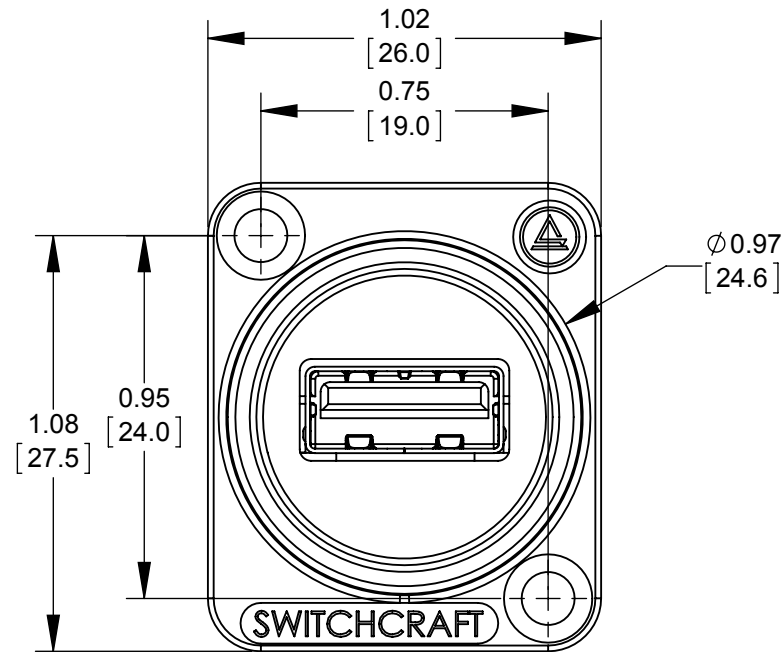
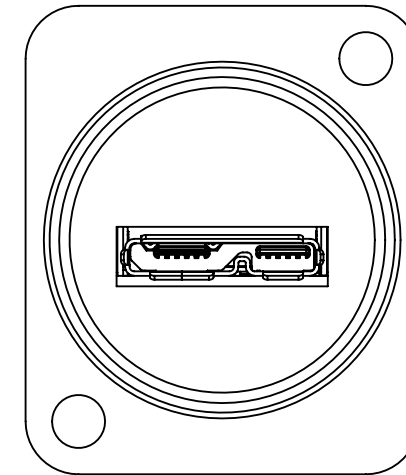
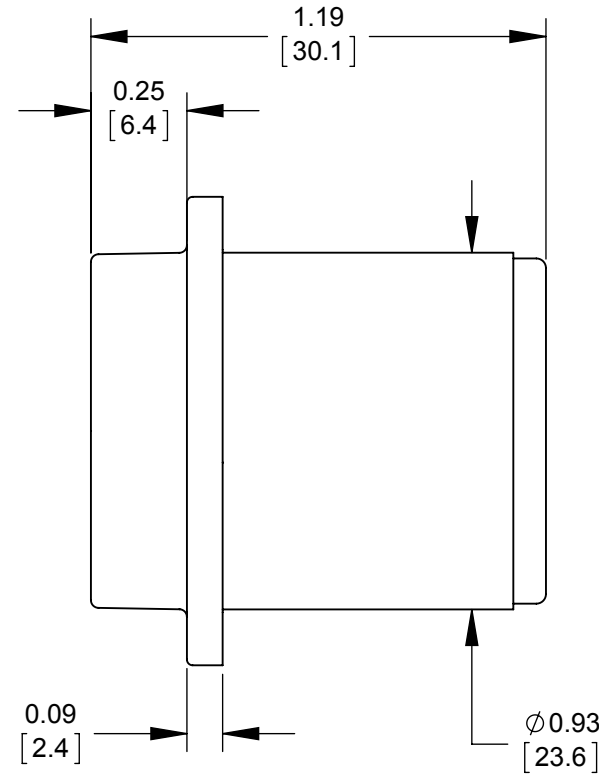


RECOMMENDED
PANEL CUT-OUT



FRONT



BACK

SPECIFICATIONS

1. FRONT CONNECTOR

- **TYPE:** USB 3.0A
- **MECHANICAL CHARACTERISTICS:**
 - INSERTION FORCE: 7.8 lb
 - WITHDRAWAL FORCE 1.8 lb
- **CONTACT PLATING:** GOLD

2. BACK CONNECTOR

- **TYPE:** MICRO USB 3.0 AB
- **MECHANICAL CHARACTERISTICS:**
 - INSERTION FORCE: 7.8 lb
 - WITHDRAWAL FORCE 1.76 lb
- **CONTACT PLATING:** GOLD

3. OVERALL:

- **MECHANICAL:**
 - **VIBRATION:** MIL-STD 202G METHOD 201A
- **ENVIRONMENTAL:**
 - **THERMAL SHOCK:** MIL-STD-202G METHOD 107G CONDITION A
 - **OPERATING TEMP:** 0 TO 65°C
- **HOUSING MATERIAL:** THERMOPLASTIC, BLACK.

CUSTOMER DRAWING

NOTES:
1- ALL PARTS ARE RoHS COMPLIANT.

REV	ECO NUMBER	DATE	BY	APVD
0A	PRELIMINARY	4/11/16	NS	SRC
REVISIONS				

UNLESS OTHERWISE SPECIFIED

- 1. ALL DIMENSIONS IN INCHES [mm]
- TWO PLACE DECIMALS ±0.02 [0.5]
- THREE PLACE DECIMALS ±0.005 [0.13]

DO NOT SCALE DRAWING

THIS DRAWING DESCRIBES A DESIGN CONSIDERED PROPRIETARY IN NATURE, DEVELOPED AND MANUFACTURED BY SWITCHCRAFT INC. AND IS RELEASED ON A CONFIDENTIAL BASIS FOR IDENTIFICATION PURPOSES ONLY.										
SIZE *	WIDTH *	MULT *	LBS/M *	TEMPER *						
FINISH *					MATERIAL *					
SPEC No. *					SPEC No. *					
FIRST USED ON *			SCALE 1:1							
DATE DRAWN	BY	CHKD	APVD							
4/11/16	NS	NS	SRC		SHEET 1 OF 1					
NAME			EH SERIES USB 3.0 TYPE A TO MICRO USB 3.0 TYPE AB		PART No.		EHUSB3ACAB		REV	0A

SolidWorks CAD File