

THIS DRAWING IS UNPUBLISHED.

RELEASED FOR PUBLICATION

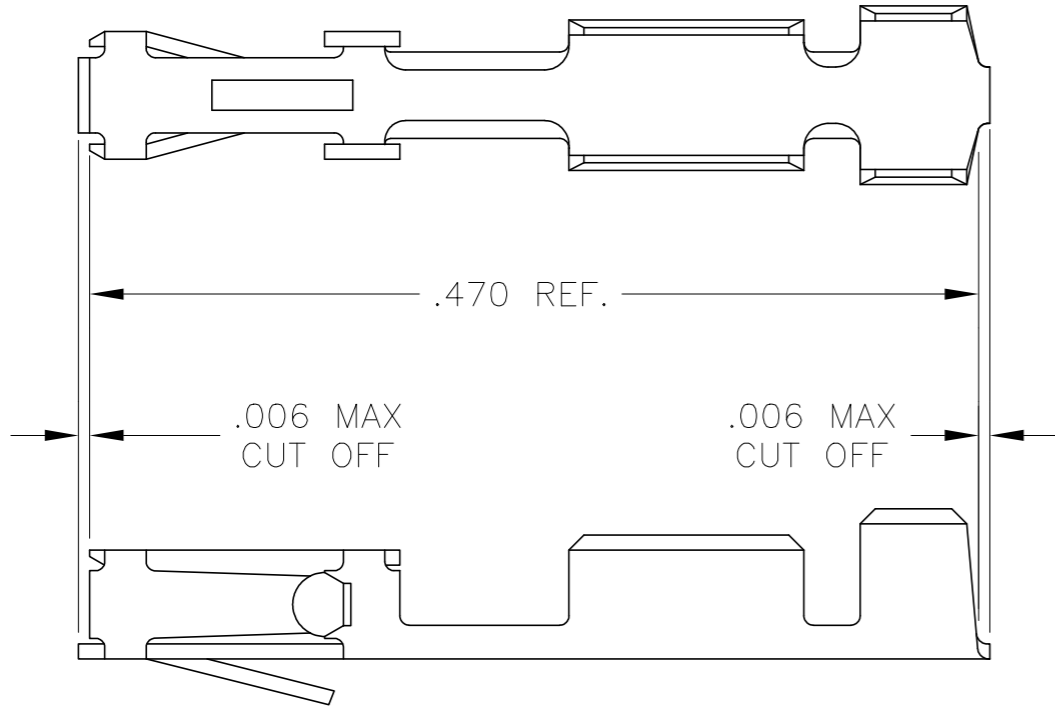
--

REVISIONS

© COPYRIGHT - By -

ALL RIGHTS RESERVED.

P	LTR	DESCRIPTION	DATE	DWN	APVD
	C	REVISED PER ECO-15-004633	30MAY2015	NK	JO
	C1	REVISED PER ECO-19-016614	13NOV2019	RS	JO



- 1 WIRE RANGE: #20-#24.
- 2 INSULATION RANGE: .069 MAX. DIA.
- 3 FOR SECTIONS AND ADDITIONAL DIMENSIONS SEE AMP CUSTOMER DRAWING#85969.

OBSOLETE	86016-6	GOLD FLASH OVER .000050 NICKEL ENTIRE CONTACT,.000050 GOLD IN CONTACT AREA
	86016-5	GOLD FLASH OVER .000050 NICKEL ENTIRE CONTACT,.000015 GOLD IN CONTACT AREA
	86016-4	.000050 GOLD OVER .000050 NICKEL
	86016-3	PREPLATED:(HALT).000078-.000158 BRIGHT TIN
	86016-2	GOLD FLASH OVER .000050 NICKEL ENTIRE CONTACT,.000030 GOLD IN CONTACT AREA
	86016-1	.000030 GOLD OVER .000050 NICKEL
	PART NUMBER	FINISH

THIS DRAWING IS A CONTROLLED DOCUMENT.		DWN E.C. CLAYBAUGH	STE TE Connectivity		
DIMENSIONS: INCHES		CHK			
TOLERANCES UNLESS OTHERWISE SPECIFIED:		APVD	NAME		
0 PLC ± -		PRODUCT SPEC	RECEPTACLE CONTACT, MOD IV CRIMP SNAP-IN LOOSE PIECE		
1 PLC ± -		APPLICATION SPEC	SIZE	CAGE CODE	DRAWING NO
2 PLC ± -			A3	00779	C=86016
3 PLC ± -			RESTRICTED TO		
4 PLC ± -			-		
ANGLES ± -		WEIGHT			
MATERIAL	FINISH				
CU-NI-SI	-				
CUSTOMER DRAWING			SCALE	SHEET	REV
			10:1	1 OF 1	C1