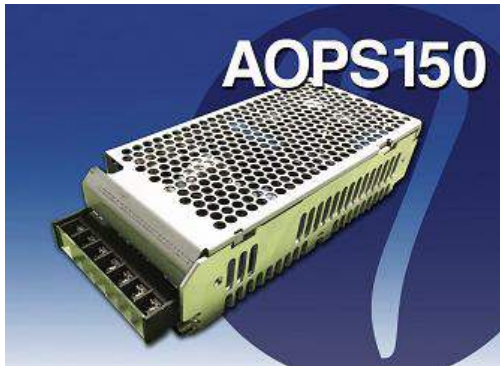


AOPS150 Series

150 Watt AC/DC Power Supply



Universal Input
Inrush current protection
Over Voltage Protection
Over Current Protection
CE recognized
2 year Warranty



		UNIT	
INPUT	Voltage/Freq	V	AC100V - 240V (AC85V ~ 264V or DC125V~ 370V), 50 / 60Hz (47 ~ 440Hz) Universal Input voltage
	Current Typ. 110V	A	1.3
	220V		2.0
			0.65 @ 3.3 VDC
	Power Fac 110V	-	0.98
	220V		0.99
			0.91 @ 3.3VDC
			0.95 all other voltages
	Inrush Current	A	110V 20 (Ta=25 , lo=100% at cold Start); 220V 40 (Ta=25 , lo=100% at cold Start)
	Leakage	mA	110V=0.4
			220V=0.75

		UNIT	AOPS150-3.3	AOPS150-5	AOPS150-9	AOPS150-12
OUTPUT	Nominal Voltage	VDC	3.3	5	9	12
	Efficiency typ	%	77	80	83	82
			80	82	85	86
	Current	A	30	30	16.7	12.5
	Line Regulation	mV	25	25	45	60
	Load Regulation	mV	50	50	90	120
	Ripple	mVp-p	80	80	90	120
	Ripple Noise maximum	mVp-p	120	120	140	170
	Temperature Drift [0-+50C]	mV	50	75	135	180
	Rise Time	mS	500 max [AC IN 85 I _o =100%]			
	Hold up Time	mS	17 typ [AC IN 85V, I _o =100%]			
	OVP	-	3.8-4.6	5.7-7.0	10.3-12.6	13.8-16.8
	OCP	-	33.0-43.5	33.0-43.5	18.3-43.5	13.7-18.1
	Remote ON OFF		-	-	-	-
	Remote Sensing		-	-	-	-
	Power Fail Signal		-	-	-	-
	Parallel/Series Operation		Series operation possible			
	Cooling OTP		Convection Cooling			



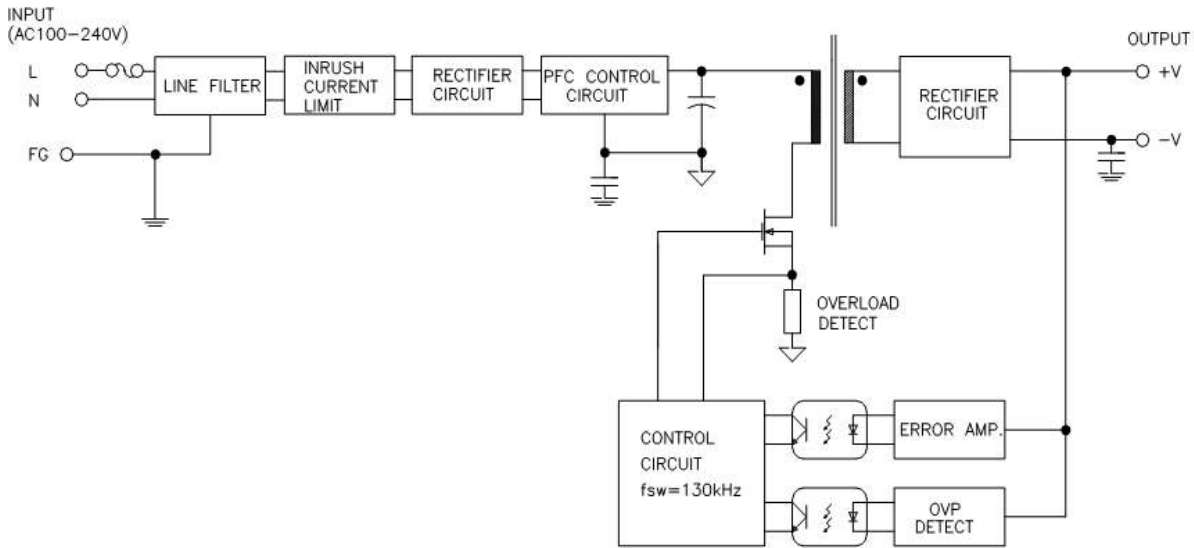
		UNIT	AOPS150-15	AOPS150-24	AOPS150-48
OUTPUT	Nominal Voltage	VDC	15	24	48
	Efficiency typ	%	83	85	87
			87	88	89
	Current	A	10	6.3	3.2
	Line Regulation	mV	75	120	240
	Load Regulation	mV	150	240	480
	Ripple	mVp-p	150	240	480
	Ripple Noise maximum	mVp-p	200	290	530
	Temperature Drift [0-+50C]	mV	225	360	720
	Rise Time	mS	500 max [AC IN 85 I _o =100%]		
	Hold up Time	mS	17 typ [AC IN 85V, I _o =100%]		
	OVP	-	17.2-21.	27.6-33.6	55.2-67.2
	OCP	-	11.0-14.5	6.9-9.1	3.5-4.7
	Remote ON OFF		-	-	-
	Remote Sensing		-	-	-
	Power Fail Signal		-	-	-
	Parallel/Series Operation		Series operation possible		
Cooling OTP		Convection Cooling			

Isolation	Input-Output	AC 3,000V 1 minute current 20mA, DC 500V 50MΩ (At room temperature & Humidity)	
	Input-Case	AC 2,000V 1 minute current 20mA, DC 500V 50MΩ (At room temperature & Humidity)	
	Output-Case	AC 500V 1 minute current 100mA, DC 500V 50MΩ (At room temperature & Humidity)	
Environment	Operating temp/hum	-10 ~ +70 , 20 ~ 90% RH(Non condensing)	
	Storage temp/hum	-20 ~ +75 , 20 ~ 90% RH(Non condensing)	
	Vibration	10 ~ 55Hz at 1G, 3 minutes period, 30 minutes along X, Y and Z axis	
	Impact	10G for 20ms once on each X, Y and Z axis	
Safety	RU/CE	RU	
	Line Emission	EN55022-A	
Size	MM/G	82x45x175	560 grams





BLOCK DIAGRAM



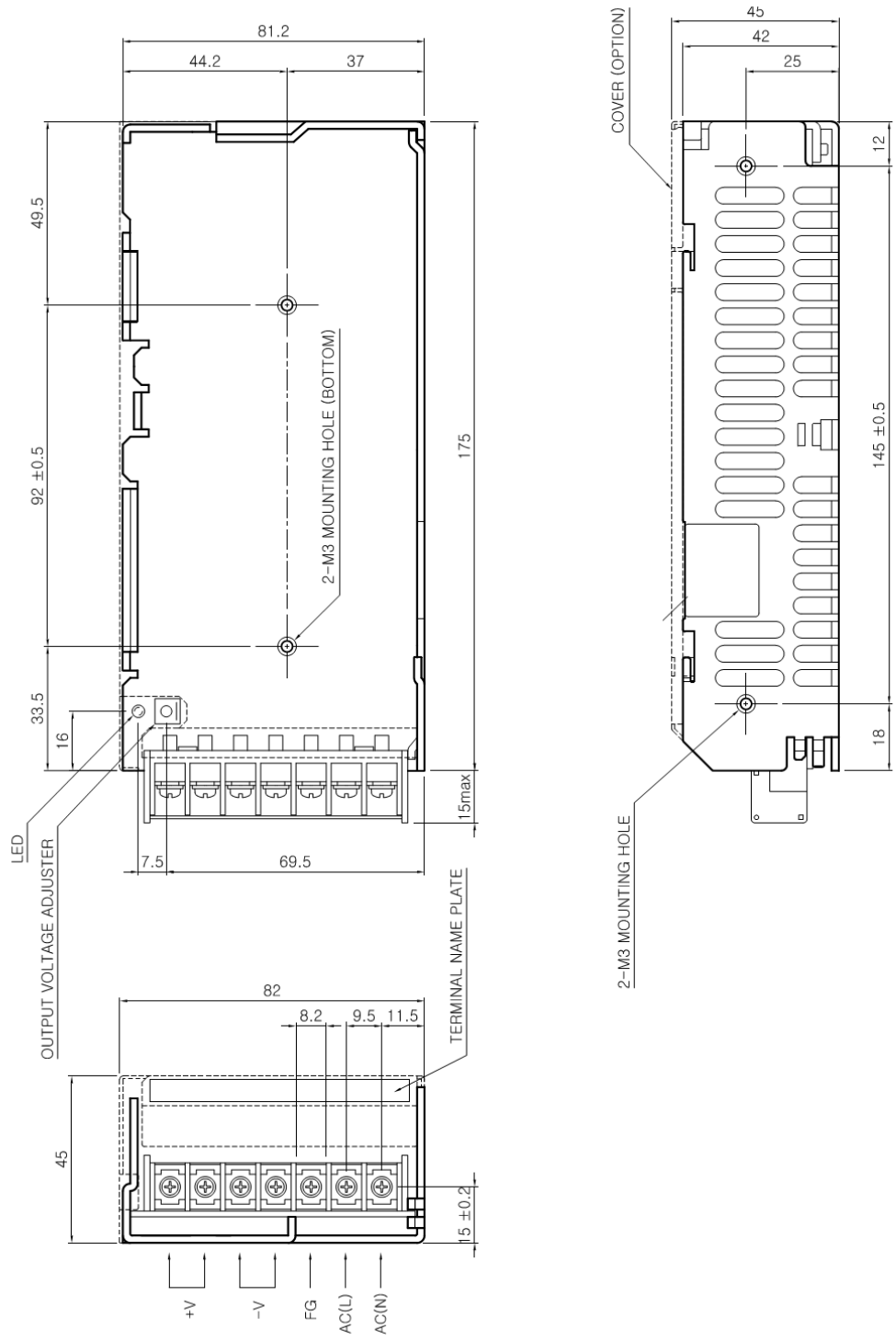
Terminal Output

Mark	Pin Connection	Function
L	AC L	AC Terminal (Fuse in Line)
N	AC N	AC Terminal
F.G	Frame ground	AC CASE
+V	DC Output (+)	DC (+) Terminal
-V	DC Output (-)	DC (-) Terminal





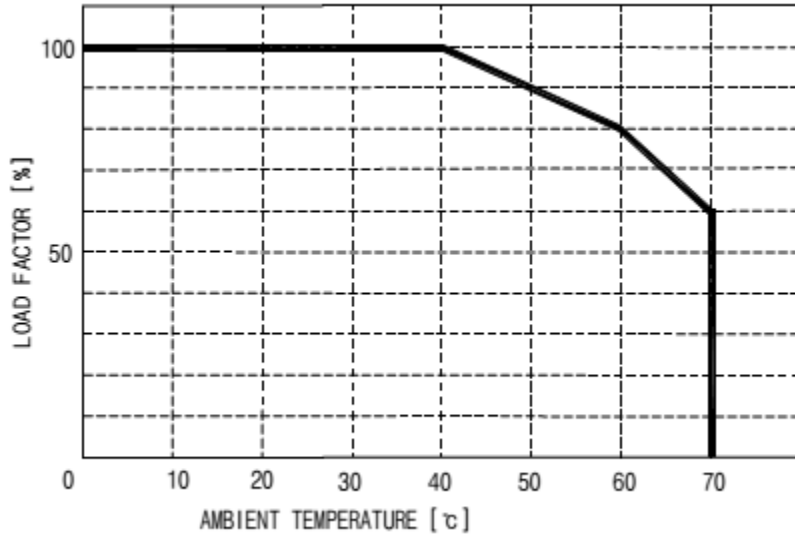
DIMENSIONAL DRAWING (mm)



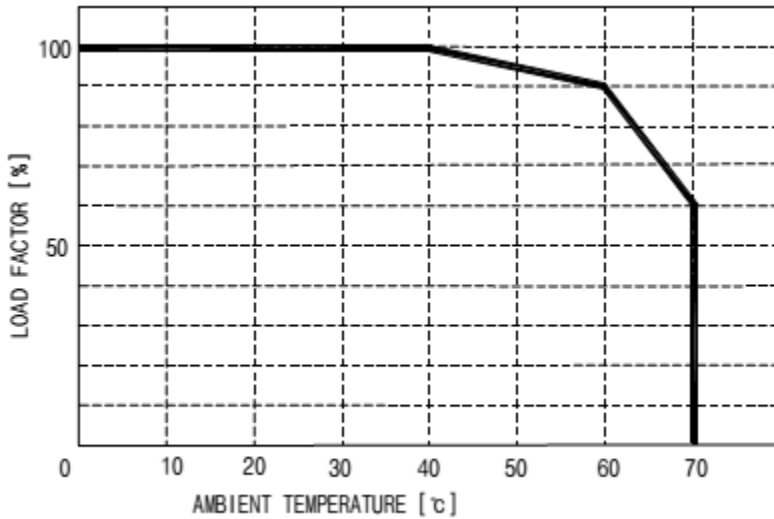


OUTPUT DERATING CURVE AND RECCOMENDED MOUNTING DIAGRAM

AOPS150-5

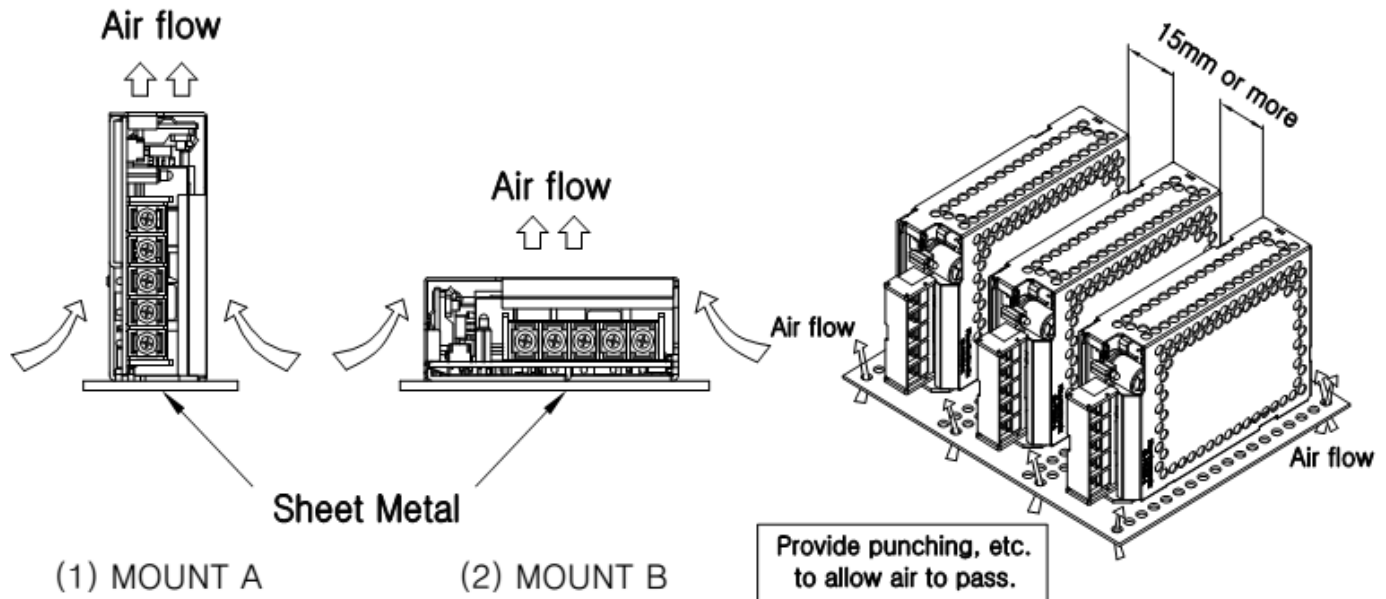
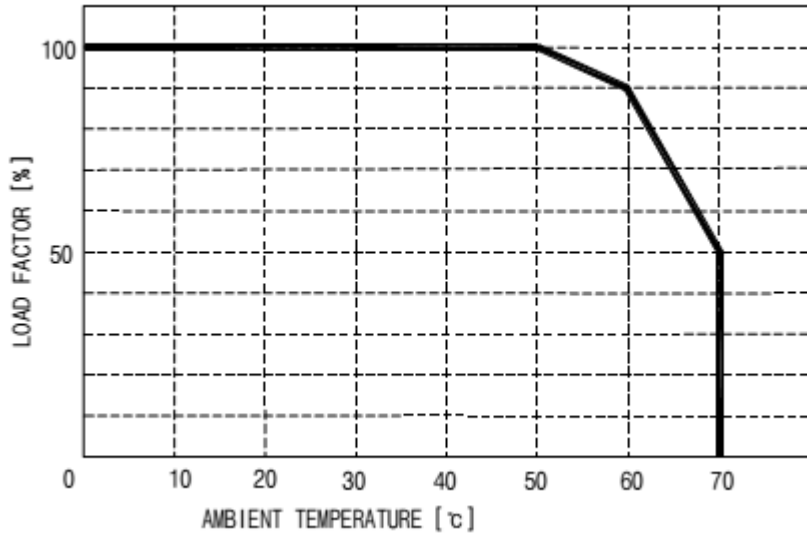


AOPS150-12





AOPS150-24





SERIES WIRING DIAGRAM

