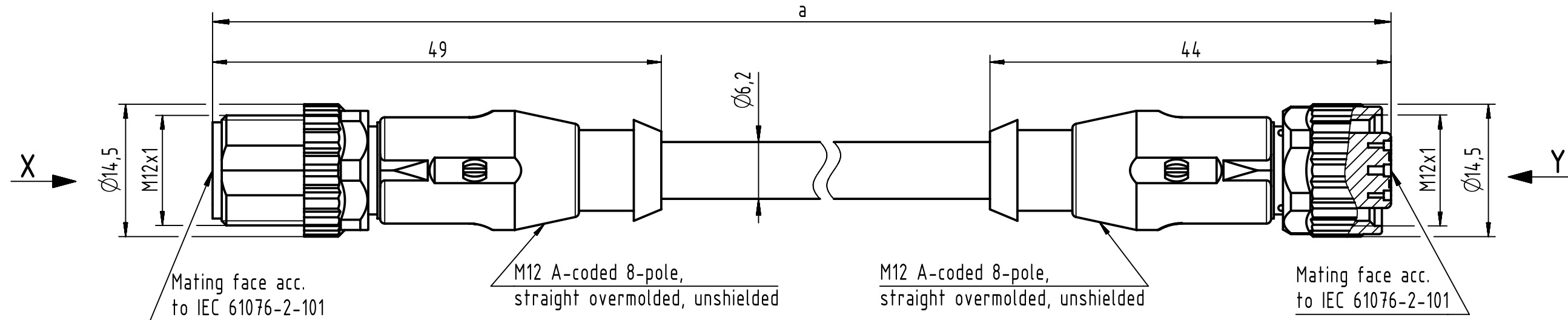
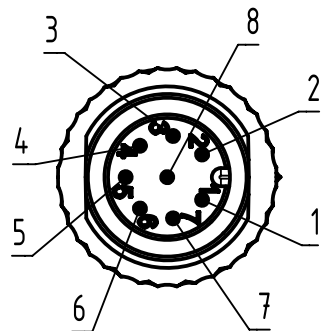


Connector Location A

Connector Location B



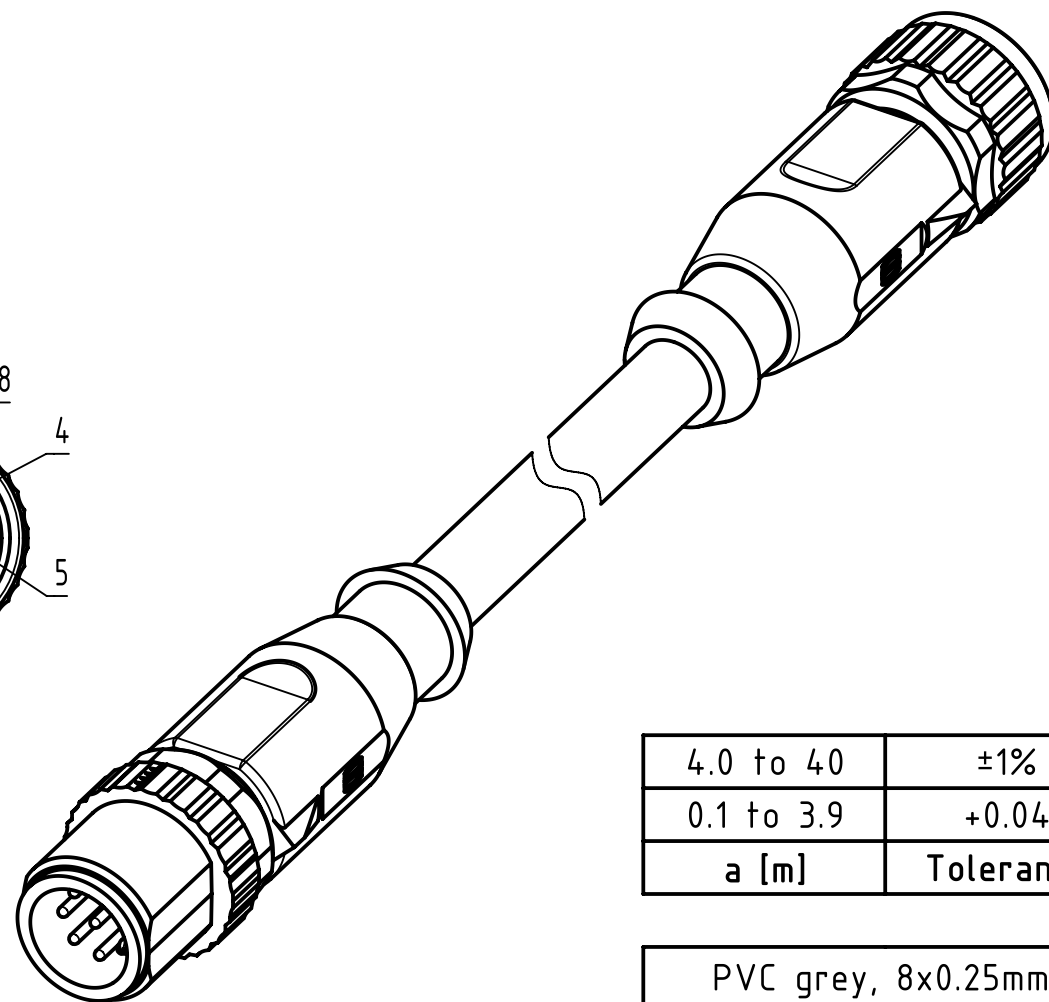
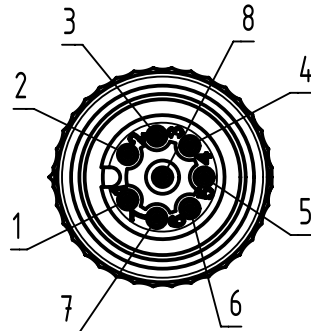
X  
male



Loading-Plan

- |   |        |   |
|---|--------|---|
| 1 | white  | 1 |
| 2 | brown  | 2 |
| 3 | green  | 3 |
| 4 | yellow | 4 |
| 5 | grey   | 5 |
| 6 | pink   | 6 |
| 7 | blue   | 7 |
| 8 | red    | 8 |

Y  
female



|                       |       |         |
|-----------------------|-------|---------|
| length in "1m" step   | 40    | XXX=400 |
|                       | 39    | XXX=390 |
|                       | .     | .       |
|                       | 12    | XXX=120 |
| length in "0.1m" step | 11    | XXX=110 |
|                       | 10    | XXX=100 |
|                       | 9.9   | XXX=099 |
|                       | 9.8   | XXX=098 |
|                       | .     | .       |
|                       | 0.4   | XXX=004 |
|                       | 0.3   | XXX=003 |
|                       | 0.2   | XXX=002 |
|                       | 0.1   | XXX=001 |
| Step                  | a [m] | XXX     |

|            |           |
|------------|-----------|
| 4.0 to 40  | ±1%       |
| 0.1 to 3.9 | +0.04     |
| a [m]      | Tolerance |

|                                 |                |
|---------------------------------|----------------|
| PVC grey, 8x0.25mm <sup>2</sup> | 21348485882XXX |
| Type of cable                   | Part no.       |

- Protection level: IP67
- Temperature range: -25°C ... +80°C

|   |                     |   |                                  |  |                    |  |             |
|---|---------------------|---|----------------------------------|--|--------------------|--|-------------|
|   | All rights reserved | Created by<br>STOCHECIC<br>Stochei          | Inspected by<br>COSTEA<br>Costea | Standardisation<br>MUNTEANV<br>Muntean | Date<br>2018-12-14 | State<br>Final Release                                   |             |
|   | Department HCS - RO | Title<br>M12 Cable Assembly A-cod st/st m/f |                                  |  |                    | Doc-Key / ECM-Nr.<br>100578827/UGD/009/F<br>500000144869 |             |
| HARTING Customised Solutions<br>D-32339 Espelkamp |                     | Type<br>TB                                  | Number<br>21348485882XXX         |  |                    | Rev.<br>F  | Page<br>1/1 |