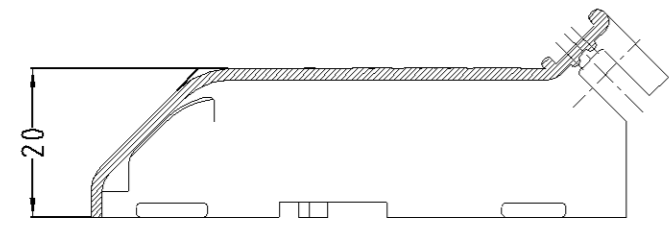
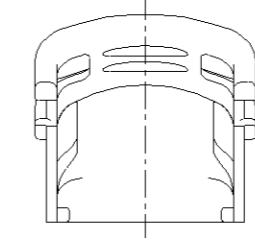
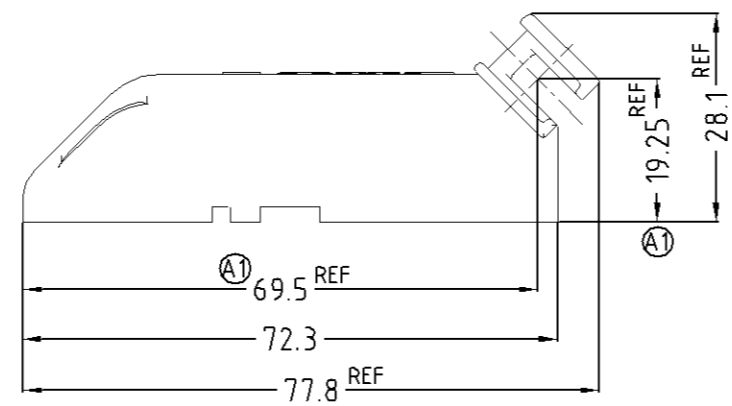
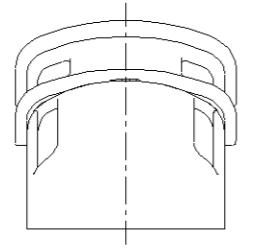
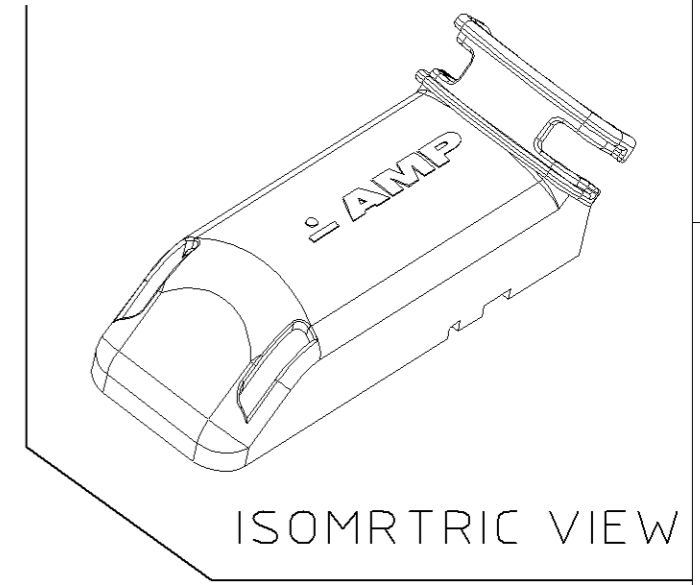
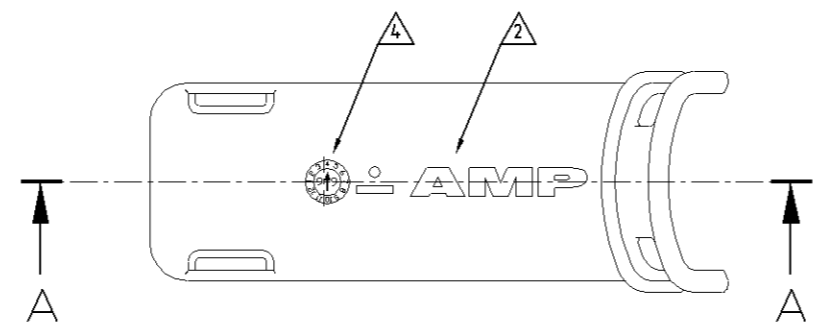
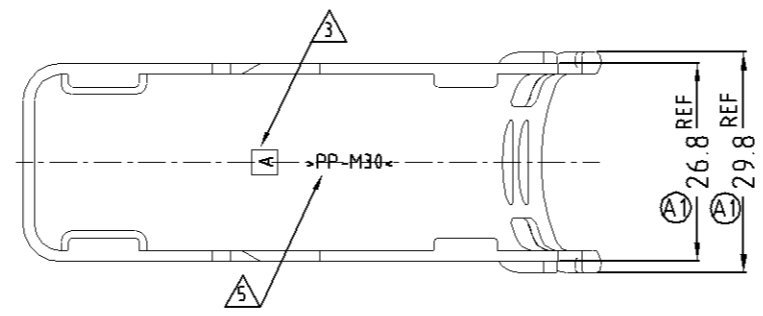


LOC	DIST	REVISIONS			
P	LTR	DESCRIPTION	DATE	DWN	APVD
DS		B1	REVISED PER ECO-11-005139	28MAR11	RK HMR



SECTION A-A



NOTE.
 1. APPLICABLE ASS'Y CONNECTOR FOR JPT&MQS 81Pos.; P/N: 368190-1
 ▲ TE TREAD MARK.
 ▲ CAVITY MARK
 ▲ DATE CODE.
 ▲ RECYCLE MARKING.

②	BLACK	PP-M30	COVER HSG (CHINA ONLY)	9-368333-1
	BLACK	PP-M30	COVER HSG	368333-1
	COLOR	MATEIAL	DESCRIPTION	PART NO.

DWN DR GOO		TE Connectivity		
CHK YM CHOI				
APVD JK SONG		NAME		
PRODUCT SPEC		COVER HSG FOR JPT&MQS ASS'Y 81Pos. ('B' TYPE)		
APPLICATION SPEC		SIZE	CAGE CODE	DRAWING NO
WEIGHT		A3	00779	368333
MATERIAL		SCALE 1 : 1 SHEET 1 OF 1 REV B1		
SEE TABLE		CUSTOMER DRAWING		

DIMENSIONS: MM	TOLERANCES UNLESS OTHERWISE SPECIFIED:
0 <XX<10	± 0.2
10<XX<30	± 0.25
30<XX	± 0.3
ANGLES	± 3°

MATERIAL	FINISH
SEE TABLE	SEE TABLE

3rd ANGLE PROJECTION