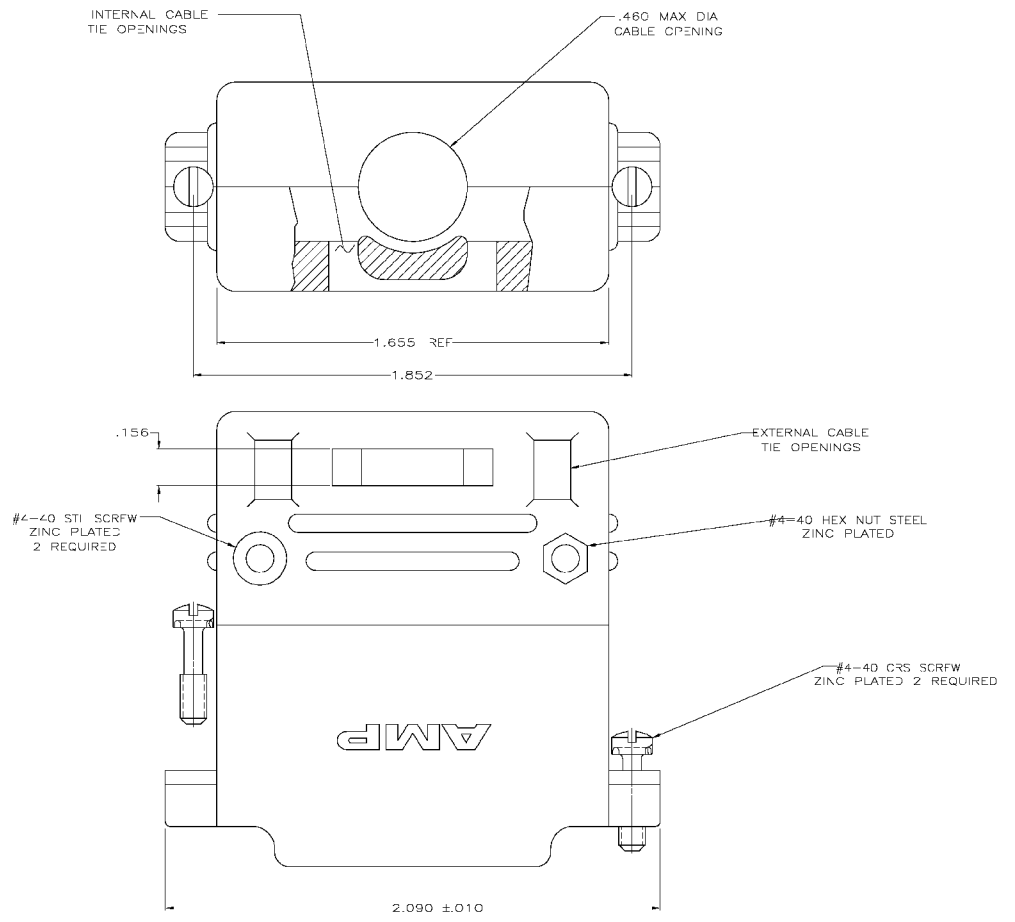
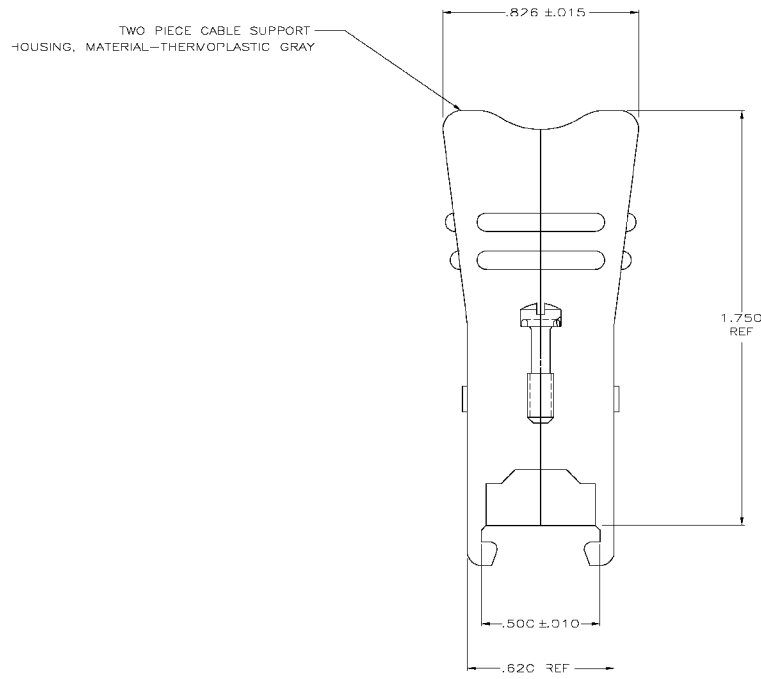


THIS DRAWING IS UNPUBLISHED. RELEASED FOR PUBLICATION  
 © copyright - BY THE ELECTRONICS CORPORATION. ALL RIGHTS RESERVED.

REVISONS		DATE	BY	APP
GP	00			
F	CHK			
C	REVISED PER EC 0513-0512-03	05MARCH	3M	JG

- 1 THIS PART WILL FIT ANY SIZE 3 PLUG OR RECEPTACLE IN THE AMPLIMITE SERIES.
  - 2 ALL PARTS ARE PACKAGED UNASSEMBLED.
- ⚠ ONE KIT PER POLY BAG.
  - ⚠ SAME AS -1 EXCEPT BULK PACKAGED.



OBSELETE	⚠	745134-2
	⚠	745134-1
PACKAGING		PART NUMBER

THIS DRAWING IS A CONTROLLED DOCUMENT		DESIGNED BY: MCMASTER	CHECKED BY: BOHVE	DATE: 05/13/03	REVISED BY: M. MURPHY	DATE: 05/13/03	REVISED BY: C	DATE: 05/13/03	REVISED BY: C	DATE: 05/13/03		
DIMENSIONS: INCHES		TOLERANCES UNLESS OTHERWISE SPECIFIED:		FINISH: SEE CALLOUT		MATERIAL: SEE CALLOUT		CUSTOMER DRAWING		SCALE: 1:1	SHEET: 1	TOTAL SHEETS: 1
APPROVED BY: [Signature]		APPROVED BY: [Signature]		APPROVED BY: [Signature]		APPROVED BY: [Signature]		APPROVED BY: [Signature]		SIZE: A1	DATE CODE: 00779	DRAWING NO: 745134
DRAWN BY: [Signature]		CHECKED BY: [Signature]		DATE: 05/13/03		JOB: 000000		APPLICATION SPEC: 000000		RESTRICTED TO:		