

# PLT-SEC-T3-120-FM-UT - Type 3 surge protection device



2907918

<https://www.phoenixcontact.com/us/products/2907918>

Please be informed that the data shown in this PDF document is generated from our online catalog. Please find the complete data in the user documentation. Our general terms of use for downloads are valid.



Type 2/3 surge protection, consisting of protective plug and base element, with integrated status indicator and remote signaling for single-phase power supply networks. Nominal voltage: 120 V AC/DC

## Your advantages

- Surge protection family for universal use with optimum energy coordination from the lightning current arrester to the device protection
- Easy to maintain due to consistently pluggable protection modules
- Excellent level of information provided by mechanical/visual status indicator and remote indication contact
- Your preferred connection technology can be selected as both screw connection and Push-in connection are available
- Optimal additional protection of the industrial power supply for a longer service life and increased availability of the system
- 5-year warranty on your QUINT 4 power supply when installed together with PLT-SEC, see document in the download area

## Commercial data

Item number	2907918
Packing unit	1 pc
Minimum order quantity	5 pc
Sales key	CL19
Product key	CL14A2
Catalog page	Page 83 (C-4-2019)
GTIN	4055626257440
Weight per piece (including packing)	96.91 g
Weight per piece (excluding packing)	81.16 g
Customs tariff number	85363030
Country of origin	DE

# PLT-SEC-T3-120-FM-UT - Type 3 surge protection device



2907918

<https://www.phoenixcontact.com/us/products/2907918>

## Technical data

### Product properties

IEC power supply system	TN-S TT
Type	DIN rail module, two-section, divisible
Product type	Device protection
Product family	SEC Family
Number of positions	2
Surge protection fault message	Optical, remote indicator contact

### Insulation characteristics

Overvoltage category	III
Pollution degree	2
IEC test classification	II / III T2 / T3
EN type	T2 / T3
Number of ports	One

### Electrical properties

#### Indicator/remote signaling

Connection name	Remote fault indicator contact
Switching function	Changeover contact
Operating voltage	250 V AC 125 V DC (200 mA DC)
Operating current	0.5 A AC 0.5 A DC (75 V DC)

### Connection data

Connection method	Screw connection
Screw thread	M3
Tightening torque	0.5 Nm
Conductor cross section flexible	0.2 mm <sup>2</sup> ... 2.5 mm <sup>2</sup>
Conductor cross section rigid	0.2 mm <sup>2</sup> ... 4 mm <sup>2</sup>
Conductor cross section AWG	24 ... 12

### Dimensions

Dimensional drawing	
Width	17.7 mm

# PLT-SEC-T3-120-FM-UT - Type 3 surge protection device



2907918

<https://www.phoenixcontact.com/us/products/2907918>

Height	93.4 mm
Depth	74.5 mm (incl. DIN rail 7.5 mm)
Horizontal pitch	1 Div.

## Material specifications

Flammability rating according to UL 94	V-0
CTI value of material	600
Insulating material	PA 6.6-FR 20 % GF
	PA 6.6-FR
Housing material	PA 6.6-FR 20 % GF
	PA 6.6-FR

## Protective circuit

Mode of protection	L-N
	L-PE
	N-PE
Direction of action	1L-N & N-PE
Nominal voltage $U_N$	120 V AC (TN-S)
	120 V AC (TT)
Nominal frequency $f_N$	50 Hz (60 Hz)
Maximum continuous voltage $U_C$	150 V AC
Rated load current $I_L$	26 A (at 30 °C)
Residual current $I_{PE}$	$\leq 5 \mu\text{A}$
Standby power consumption $P_C$	$\leq 10.6 \text{ mVA}$ (at $U_{REF}$ )
	$\leq 13.5 \text{ mVA}$ (at $U_C$ )
Reference test voltage $U_{REF}$	132 V AC
Nominal discharge current $I_n$ (8/20) $\mu\text{s}$	5 kA
Maximum discharge current $I_{max}$ (8/20) $\mu\text{s}$	10 kA
Combination wave $U_{OC}$	6 kV
Voltage protection level $U_p$ (L-N)	$\leq 0.75 \text{ kV}$ (at $U_{OC}$ )
	$\leq 0.95 \text{ kV}$ (at $I_n$ )
Voltage protection level $U_p$ (L-PE)	$\leq 0.85 \text{ kV}$
Voltage protection level $U_p$ (N-PE)	$\leq 0.85 \text{ kV}$
TOV behavior at $U_T$ (L-N)	240 V AC (5 s / withstand mode)
	240 V AC (120 min / withstand mode)
	1332 V AC (200 ms / safe failure mode)
TOV behavior at $U_T$ (L-PE)	240 V AC (5 s / withstand mode)
	240 V AC (120 min / withstand mode)
	1332 V AC (200 ms / safe failure mode)
TOV behavior at $U_T$ (N-PE)	1200 V AC (200 ms / safe failure mode)
Response time $t_A$ (L-N)	$\leq 25 \text{ ns}$
Response time $t_A$ (L-PE)	$\leq 100 \text{ ns}$
Response time $t_A$ (N-PE)	$\leq 100 \text{ ns}$
Short-circuit current rating $I_{SCCR}$	10 kA AC
Max. backup fuse with branch wiring	32 A (gG / B / C)

# PLT-SEC-T3-120-FM-UT - Type 3 surge protection device



2907918

<https://www.phoenixcontact.com/us/products/2907918>

## Additional technical data

Short-circuit current rating $I_{SCCR}$	0.25 kA DC (Without additional backup fuse in the DC branch wiring)
	5 kA DC (for 20 A gG / B backup fuse)
Residual voltage $U_{res}$ (L-N)	$\leq 0.68$ kV (at 2 kA)
	$\leq 0.75$ kV (at 3 kA)
	$\leq 0.64$ kV (at $U_{OC} = 4$ kV)
Residual voltage $U_{res}$ (L-PE)	$\leq 0.58$ kV (at 2 kA)
	$\leq 0.65$ kV (at 3 kA)
	$\leq 0.75$ kV (at $U_{OC} = 4$ kV)
Residual voltage $U_{res}$ (N-PE)	$\leq 0.58$ kV (at 2 kA)
	$\leq 0.65$ kV (at 3 kA)
	$\leq 0.75$ kV (at $U_{OC} = 4$ kV)
Maximum continuous voltage $U_C$	150 V DC
Mode of protection	(DC+) - (DC-)
	(DC+/DC-) - PE
IEC test classification (in accordance with IEC 61643-21)	D1
Impulse durability (wire-wire)	D1 - 500 A
Impulse durability (line-earth)	D1 - 500 A
Pulse discharge current $I_{imp}$ (10/350) $\mu$ s (line-line)	0.5 kA
Pulse discharge current $I_{imp}$ (10/350) $\mu$ s (line-earth)	0.5 kA

## Environmental and real-life conditions

### Ambient conditions

Degree of protection	IP20
Ambient temperature (operation)	-40 °C ... 80 °C
Ambient temperature (storage/transport)	-40 °C ... 80 °C
Altitude	$\leq 2000$ m (operating voltage remote contact $\leq 250$ V)
	$\leq 6000$ m (operating voltage remote contact $\leq 150$ V)
Permissible humidity (operation)	5 % ... 95 %
Shock (operation)	30g (Half-sine / 11 ms / 3x $\pm$ X, $\pm$ Y, $\pm$ Z)
Vibration (operation)	5g (5 ... 500 Hz / 2.5 h / X, Y, Z)

## Approvals

### UL specifications

Maximum continuous operating voltage MCOV	150 V AC
	150 V DC
Short-circuit current rating (SCCR)	10 kA AC
	5 kA DC
Voltage protection rating VPR (L-N)	700 V
Voltage protection rating VPR (L-G)	700 V
Voltage protection rating VPR (N-G)	900 V
Voltage protection rating VPR (DC+) - (DC-)	700 V

# PLT-SEC-T3-120-FM-UT - Type 3 surge protection device



2907918

<https://www.phoenixcontact.com/us/products/2907918>

Voltage protection rating VPR (DC+) - G	900 V
Voltage protection rating VPR (DC-) - G	900 V
Nominal discharge current $I_n$	5 kA
Mode of protection	L-N
	L-G
	N-G
	(DC+) - (DC-)
	(DC+) - G
	(DC-) - G
Nominal voltage	150 V DC
Rated load current $I_L$	20 A
Power distribution system	Single phase
	DC
Nominal frequency	50/60 Hz
SPD Type	2 (Open-Type SPD)

## UL indicator/remote signaling

Operating voltage	250 V AC (0.5 A)
DC operating voltage	12 V DC (4 A)
	24 V DC (2 A)
	48 V DC (1 A)

## UL connection data

Tightening torque	4.4 lb <sub>f</sub> -in.
Conductor cross section AWG	16 ... 12

## Standards and regulations

Standards/specifications	IEC 61643-11
Note	2011

## EN 61643-11

Standards/specifications	EN 61643-11
Note	2012

## Mounting

Mounting type	DIN rail: 35 mm
---------------	-----------------

# PLT-SEC-T3-120-FM-UT - Type 3 surge protection device

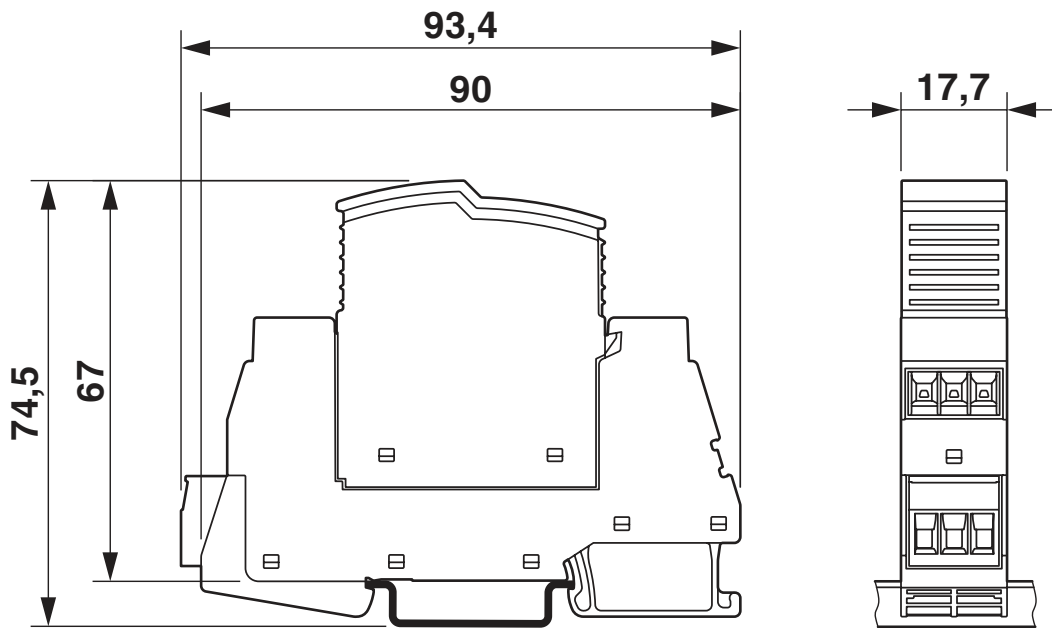


2907918

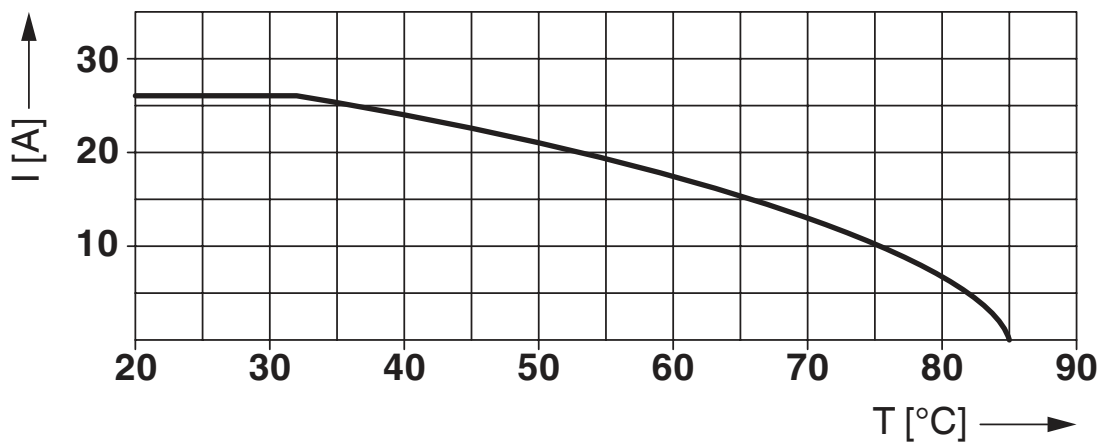
<https://www.phoenixcontact.com/us/products/2907918>

## Drawings

Dimensional drawing



Diagram



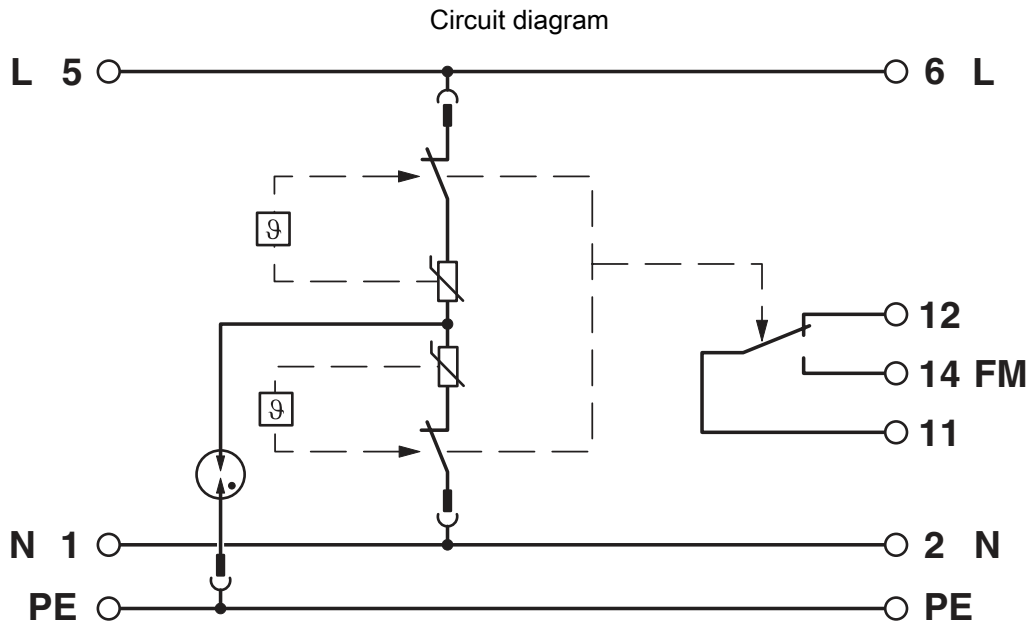
Nominal current depending on ambient temperature

# PLT-SEC-T3-120-FM-UT - Type 3 surge protection device



2907918

<https://www.phoenixcontact.com/us/products/2907918>



# PLT-SEC-T3-120-FM-UT - Type 3 surge protection device



2907918

<https://www.phoenixcontact.com/us/products/2907918>

## Approvals

To download certificates, visit the product detail page: <https://www.phoenixcontact.com/us/products/2907918>



**IECEE CB Scheme**  
Approval ID: NL-51083



**EAC**  
Approval ID: RU C-DE.\*09.B.00169

**CCA**

Approval ID: NTR-NL 7676



**KEMA-KEUR**  
Approval ID: 71-103027



**DNV GL**  
Approval ID: TAE00002U7



**UL Listed**  
Approval ID: FILE E 330181



**CSA**  
Approval ID: 13631



**cUL Listed**  
Approval ID: FILE E 330181

**UAE-RoHS**

Approval ID: 22-09-50640

**DNV**

Approval ID: TAE00002U7



**cUL Recognized**  
Approval ID: FILE E 340736



# PLT-SEC-T3-120-FM-UT - Type 3 surge protection device



2907918

<https://www.phoenixcontact.com/us/products/2907918>



**UL Recognized**

Approval ID: FILE E 340736

**cULus Listed**

**cULus Recognized**

# PLT-SEC-T3-120-FM-UT - Type 3 surge protection device



2907918

<https://www.phoenixcontact.com/us/products/2907918>

## Classifications

### ECLASS

ECLASS-11.0	27130806
ECLASS-13.0	27171203

### ETIM

ETIM 8.0	EC000942
----------	----------

### UNSPSC

UNSPSC 21.0	39121600
-------------	----------

# PLT-SEC-T3-120-FM-UT - Type 3 surge protection device



2907918

<https://www.phoenixcontact.com/us/products/2907918>

## Environmental product compliance

China RoHS	Environmentally friendly use period: unlimited = EFUP-e
	No hazardous substances above threshold values

# PLT-SEC-T3-120-FM-UT - Type 3 surge protection device



2907918

<https://www.phoenixcontact.com/us/products/2907918>

## Accessories

### CLIPFIX 35 - End clamp

3022218

<https://www.phoenixcontact.com/us/products/3022218>



Quick mounting end clamp for NS 35/7,5 DIN rail or NS 35/15 DIN rail, with marking option, width: 9.5 mm, color: gray

---

### EML (20XE)R - Label

0803452

<https://www.phoenixcontact.com/us/products/0803452>



Label, Roll, white, unlabeled, can be labeled with: THERMOMARK E.300 (D)/600 (D), THERMOMARK ROLL 2.0, THERMOMARK ROLL, THERMOMARK ROLL X1, THERMOMARK ROLLMASTER 300/600, THERMOMARK X1.2, mounting type: adhesive, lettering field size: continuous x 20 mm

# PLT-SEC-T3-120-FM-UT - Type 3 surge protection device



2907918

<https://www.phoenixcontact.com/us/products/2907918>

## EML (20XE)R YE - Label

0803453

<https://www.phoenixcontact.com/us/products/0803453>



Label, Roll, yellow, unlabeled, can be labeled with: THERMOMARK E.300 (D)/600 (D), THERMOMARK ROLL 2.0, THERMOMARK ROLL, THERMOMARK ROLL X1, THERMOMARK ROLLMASTER 300/600, THERMOMARK X1.2, mounting type: adhesive, lettering field size: continuous x 20 mm

---

## X-PEN 0,35 - Marker pen

0811228

<https://www.phoenixcontact.com/us/products/0811228>



Marker pen without ink cartridge, for manual labeling of markers, labeling extremely wipe-proof, line thickness 0.35 mm

# PLT-SEC-T3-120-FM-UT - Type 3 surge protection device



2907918

<https://www.phoenixcontact.com/us/products/2907918>

## PLT-SEC-T3-120-P-UT/PT - Type 3 surge protection plug

2907922

<https://www.phoenixcontact.com/us/products/2907922>



Replacement plug for type 2/3 surge protection from the PLT-SEC-...-UT/PT product series. Nominal voltage 120 V.

---

## PLT-SEC-T3-BE-FM-UT - Type 3 surge protection base element

2907924

<https://www.phoenixcontact.com/us/products/2907924>



Base element for protective plugs from the PLT-SEC-...-UT/PT product series with remote indication contact.

---

Phoenix Contact 2023 © - all rights reserved  
<https://www.phoenixcontact.com>

Phoenix Contact USA  
586 Fulling Mill Road  
Middletown, PA 17057, United States  
(+717) 944-1300  
[info@phoenixcon.com](mailto:info@phoenixcon.com)