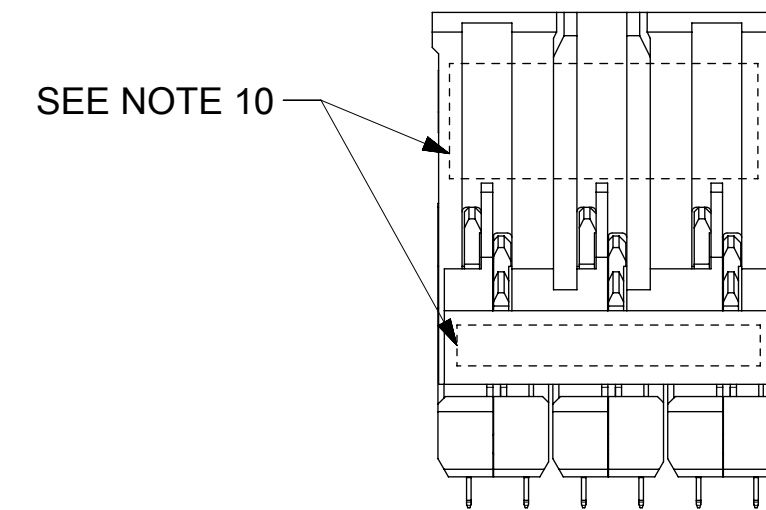
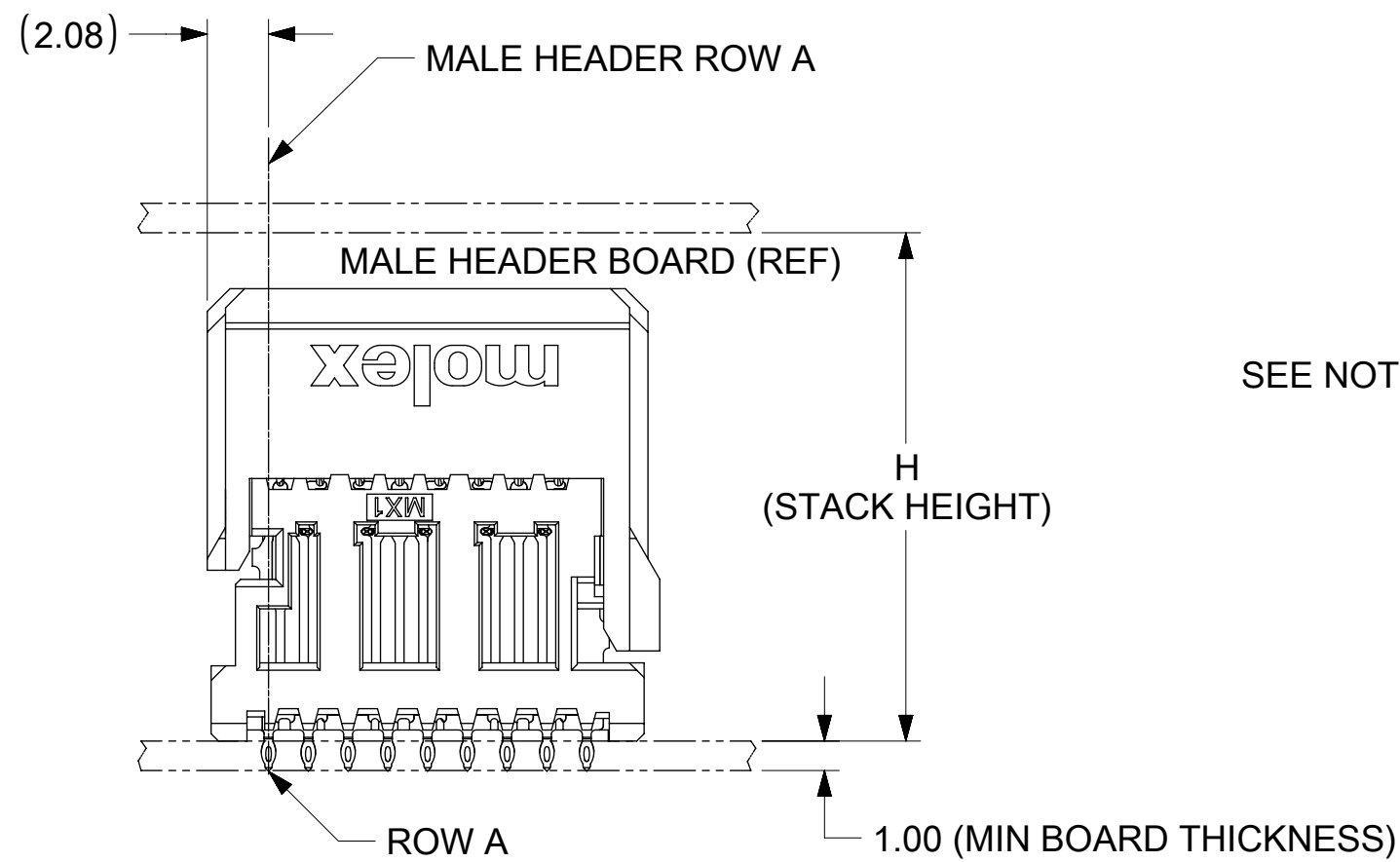
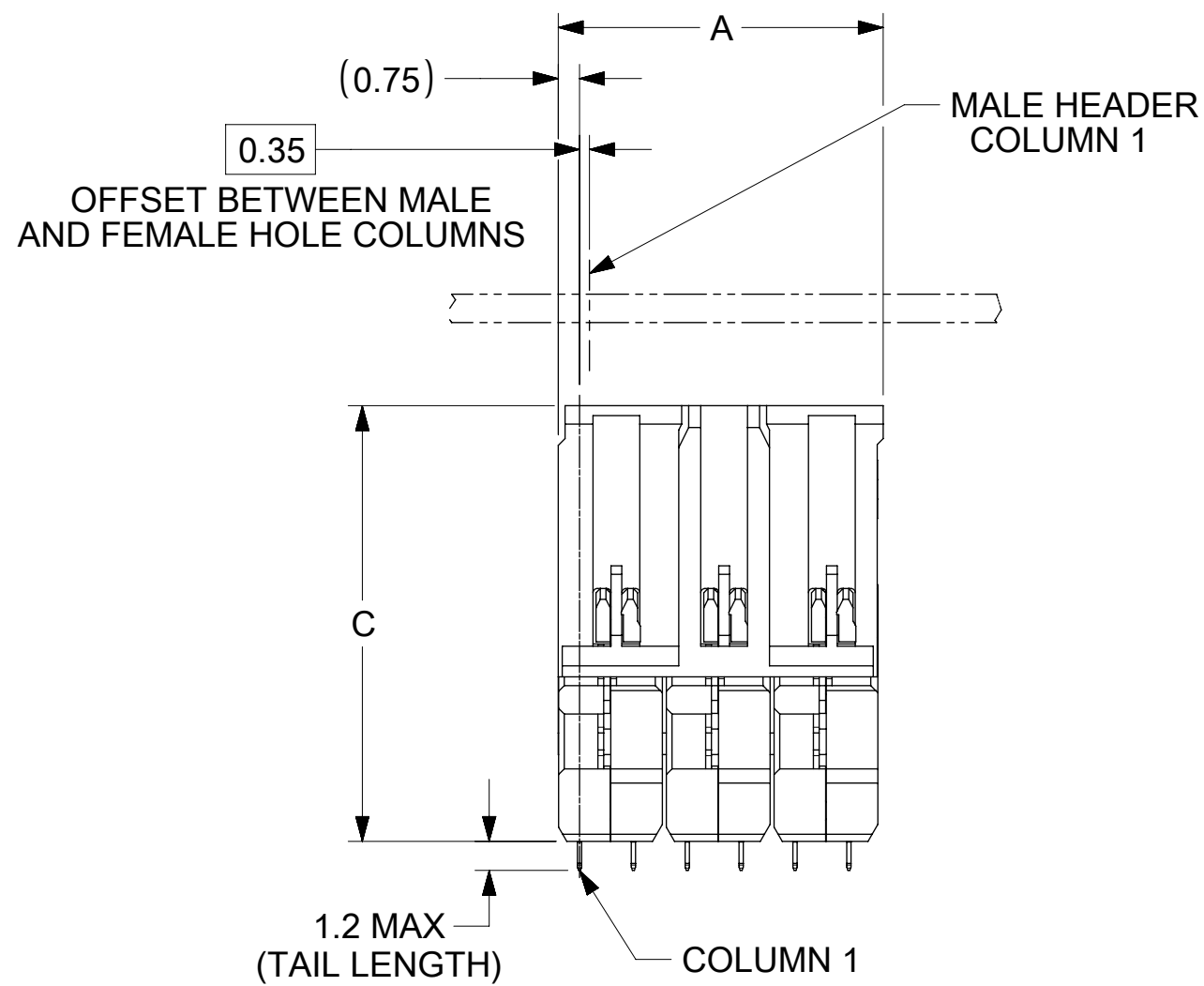
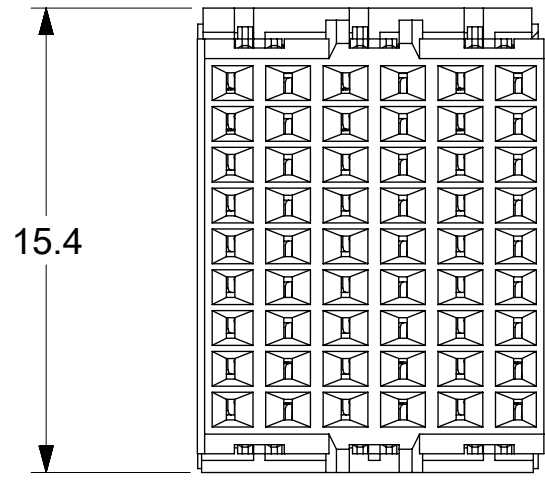


NOTES:

1. MATERIALS: HOUSING - LIQUID CRYSTAL POLYMER (LCP), GLASS-FILLED, UL94V-0  
TERMINALS - HIGH PERFORMANCE COPPER ALLOY
2. FINISH: 30uIN SELECTIVE GOLD IN CONTACT AREA. SELECTIVE MATTE TIN OR SELECTIVE TIN/LEAD ON PCB TAILS. NICKEL OVERALL.
3. EACH SIGNAL WAFER CONTAINS 2 COLUMNS OF TERMINALS.
4. PRODUCT SHALL BE PACKAGED PER PK-70873-0050 (18mm), PK-70873-0051 (22mm).
5. FOR FURTHER INFORMATION SEE PRODUCT SPECIFICATION PS-76060-999.
6. THIS PART CONFORMS TO CLASS B REQUIREMENTS OF COSMETIC SPEC PS-45499-002.
7. REFER TO MOLEX SALES DRAWING SD-76165-001 AND CUSTOM PIN-OUT SERIES 76162 FOR THE MATING HEADERS.
8. REFER TO MOLEX PCB ROUTING GUIDE AS-76060-990 FOR ANTIPAD AND ROUTING RECOMMENDATIONS.
9. "THESE DIMENSIONS REPRESENT THE AREA NEEDED TO ACCOMMODATE CONNECTOR INSERTION & REPAIR ON THE PC BOARD. THIS IS REFERRED TO AS THE "CONNECTOR KEEP OUT ZONE" AND DOES NOT REPRESENT THE ACTUAL PERIMETER OF THE CONNECTOR. WHEN LAYING OUT A PC BOARD WITH CONNECTORS STACKED TOGETHER, USE A 1.90mm PROGRESSION."
10. MARKING: LOCATED APPROXIMATELY AS SHOWN. PART NUMBER AND DATE CODE.



|   |  |       |  |  |  |                 |  |                |     |              |          |
|---|--|-------|--|--|--|-----------------|--|----------------|-----|--------------|----------|
| THIS DRAWING CONTAINS INFORMATION THAT IS PROPRIETARY TO MOLEX ELECTRONIC TECHNOLOGIES, LLC AND SHOULD NOT BE USED WITHOUT WRITTEN PERMISSION |  |       |  |  |  |                 |  |                |     |              |          |
| DIMENSION UNITS   |  | SCALE |  | CURRENT REV DESC: MIGRATED TO NX   |  |                 |  |                |     |              |          |
| mm  |  | NTS   |  |  |  |                 |  |                |     |              |          |
| GENERAL TOLERANCES (UNLESS SPECIFIED)   |  |       |  | EC NO: 705090<br>DRWN: TMARRI 2018/07/05<br>CHK'D: DYARAS 2022/03/07<br>APPR: LZENG 2022/05/13 |  |                 |  |                |     |              |          |
| ANGULAR TOL ± 0.5°  |  |       |  | INITIAL REVISION:  |  |                 |  |                |     |              |          |
| 4 PLACES ±  |  |       |  | DRWN: JJONIAK 2010/01/22   |  | DOCUMENT NUMBER |  | DOC TYPE       |     | DOC PART     | REVISION |
| 3 PLACES ±  |  |       |  | APPR: TPREMO 2011/01/17  |  | SD-170415-001   |  | PSD            | 001 | B4           |          |
| 2 PLACES ± 0.1  |  |       |  |  |  | MATERIAL NUMBER |  | CUSTOMER       |     | SHEET NUMBER |          |
| 1 PLACE ± 0.25  |  |       |  |  |  | SEE TABLE       |  | GENERAL MARKET |     | 1 OF 2       |          |
| 0 PLACES ±  |  |       |  |  |  |                 |  |                |     |              |          |
| DRAFT WHERE APPLICABLE MUST REMAIN WITHIN DIMENSIONS  |  |       |  | THIRD ANGLE PROJECTION   |  | DRAWING         |  | SERIES         |     |              |          |
|   |  |       |  |  |  | C-SIZE          |  | 170415         |     |              |          |

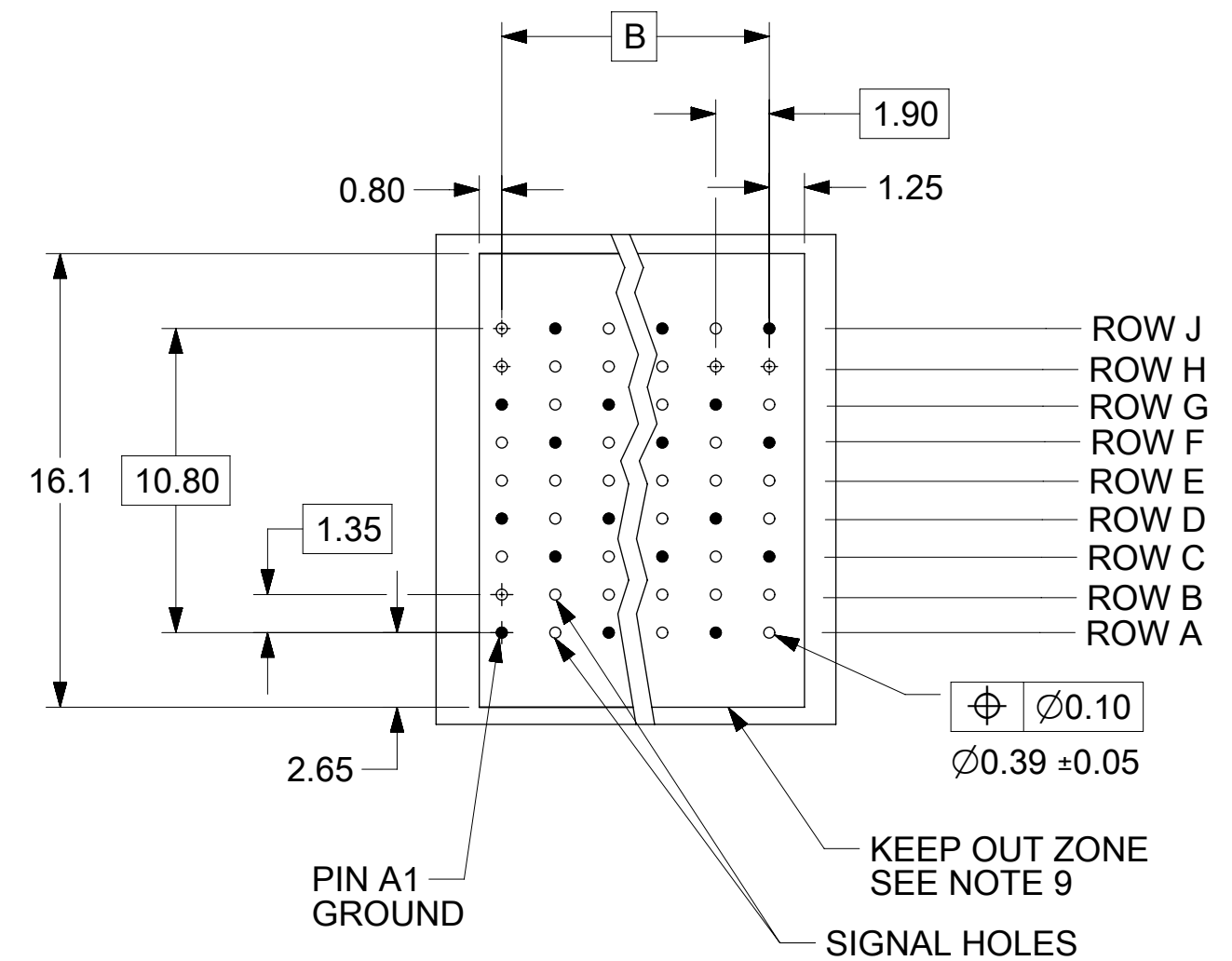
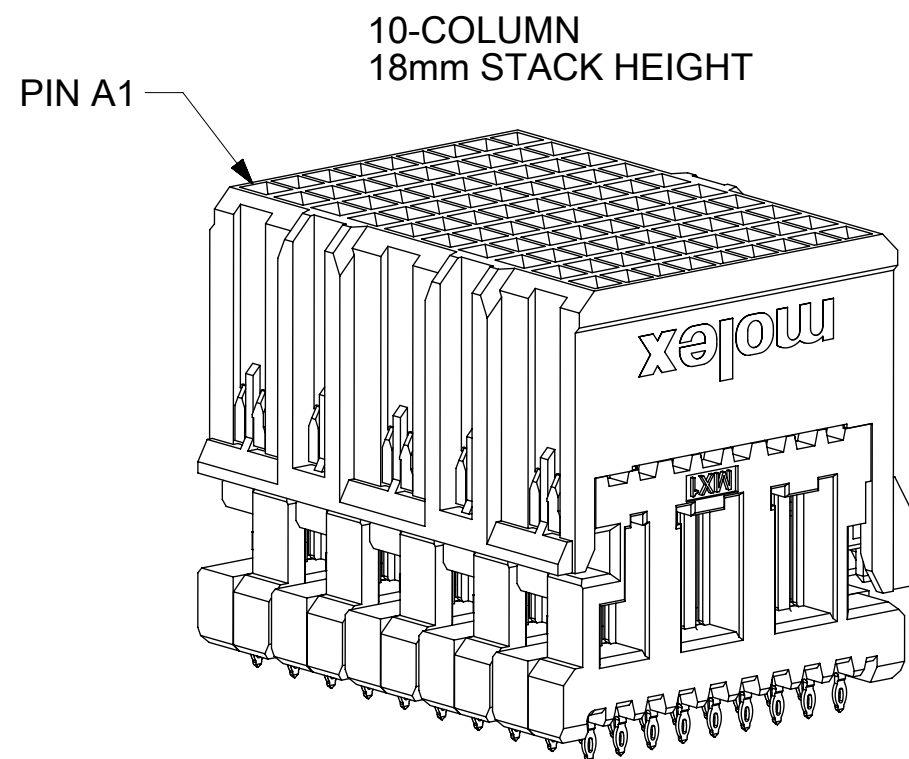
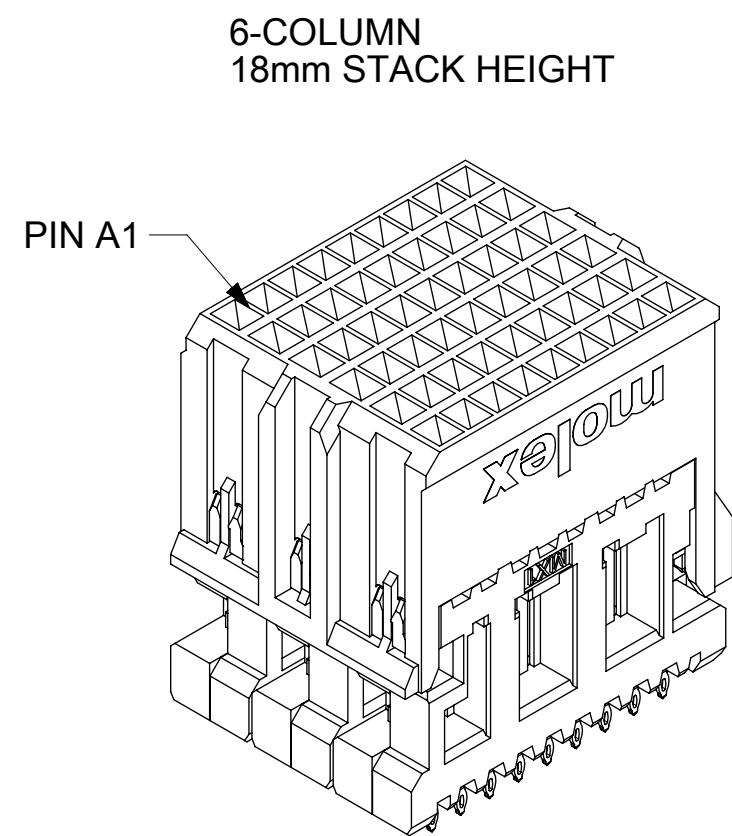
| PART NUMBER | # OF COLUMNS | # OF DIFF PAIR | DIM "A" | DIM "B" | DIM "C" | STACK HEIGHT (H) |
|-------------|--------------|----------------|---------|---------|---------|------------------|
| 170415-1618 | 6            | 18             | 11.4    | 9.50    | 15.36   | 18.00            |
| 170415-1818 | 8            | 24             | 15.2    | 13.30   | 15.36   | 18.00            |
| 170415-1118 | 10           | 30             | 19.0    | 17.10   | 15.36   | 18.00            |
| 170415-1918 | 16           | 48             | 30.4    | 28.50   | 15.36   | 18.00            |
| 170415-1622 | 6            | 18             | 11.4    | 9.50    | 19.36   | 22.00            |
| 170415-1822 | 8            | 24             | 15.2    | 13.30   | 19.36   | 22.00            |
| 170415-1122 | 10           | 30             | 19.0    | 17.10   | 19.36   | 22.00            |
| 170415-1922 | 16           | 48             | 30.4    | 28.50   | 19.36   | 22.00            |

170415-1\*\*\*

1 = OPEN LEAD-FREE

STACK HEIGHT  
18 = 18mm  
22 = 22mm

# OF COLUMNS  
6 = 6 COL 0.39 PTH  
8 = 8 COL 0.39 PTH  
1 = 10 COL 0.39 PTH  
9 = 16 COL 0.39 PTH



|   |  |       |  |  |  |                 |  |                                |  |
|---|--|-------|--|--|--|-----------------|--|--------------------------------|--|
| THIS DRAWING CONTAINS INFORMATION THAT IS PROPRIETARY TO MOLEX ELECTRONIC TECHNOLOGIES, LLC AND SHOULD NOT BE USED WITHOUT WRITTEN PERMISSION |  |       |  |  |  |                 |  |                                |  |
| DIMENSION UNITS   |  | SCALE |  | CURRENT REV DESC: MIGRATED TO NX   |  |                 |  |                                |  |
| mm  |  | NTS   |  |  |  |                 |  |                                |  |
| GENERAL TOLERANCES (UNLESS SPECIFIED)   |  |       |  | EC NO: 705090<br>DRWN: TMARRI 2018/07/05<br>CHK'D: DYARAS 2022/03/07<br>APPR: LZENG 2022/05/13 |  |                 |  |                                |  |
| ANGULAR TOL ± 0.5°  |  |       |  | INITIAL REVISION:<br>DRWN: JJONIAK 2010/01/22<br>APPR: TPREMO 2011/01/17                       |  |                 |  |                                |  |
| 4 PLACES ±  |  |       |  | 2010/01/22   |  | DOCUMENT NUMBER |  | DOC TYPE   DOC PART   REVISION |  |
| 3 PLACES ±  |  |       |  | 2011/01/17   |  | SD-170415-001   |  | PSD   001   B4                 |  |
| 2 PLACES ± 0.1  |  |       |  |  |  | MATERIAL NUMBER |  | CUSTOMER                       |  |
| 1 PLACE ± 0.25  |  |       |  |  |  | SEE TABLE       |  | GENERAL MARKET                 |  |
| 0 PLACES ±  |  |       |  |  |  | SHEET NUMBER    |  | 2 OF 2                         |  |
| DRAFT WHERE APPLICABLE MUST REMAIN WITHIN DIMENSIONS  |  |       |  | THIRD ANGLE PROJECTION   |  | DRAWING         |  | SERIES                         |  |
|   |  |       |  |  |  | C-SIZE          |  | 170415                         |  |