

PART NO.
DWG. NO.

[B × 0.1M × C]

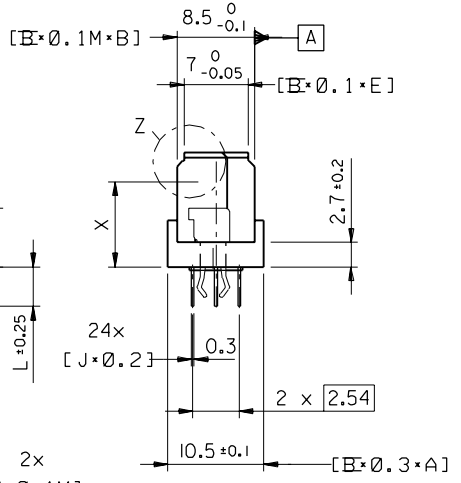
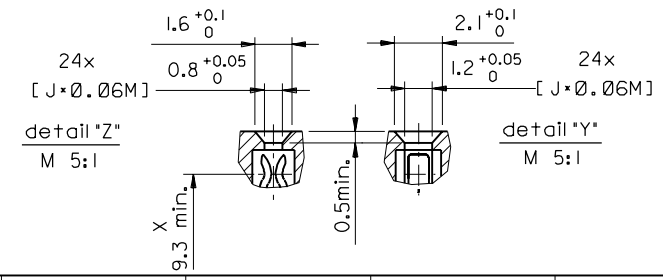
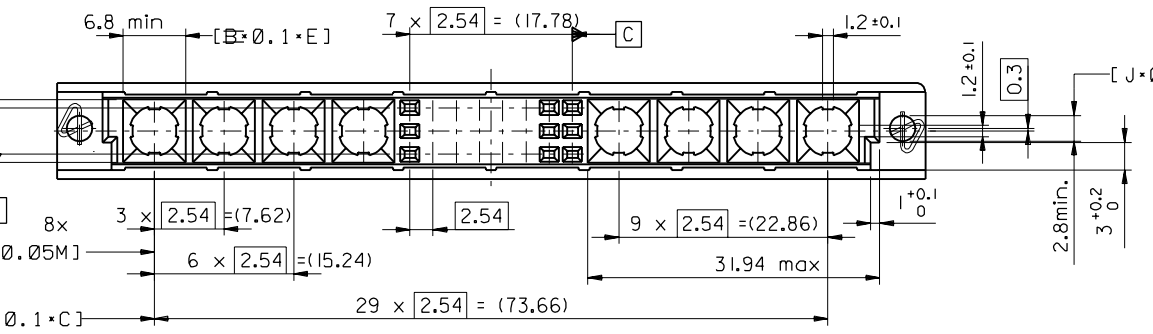
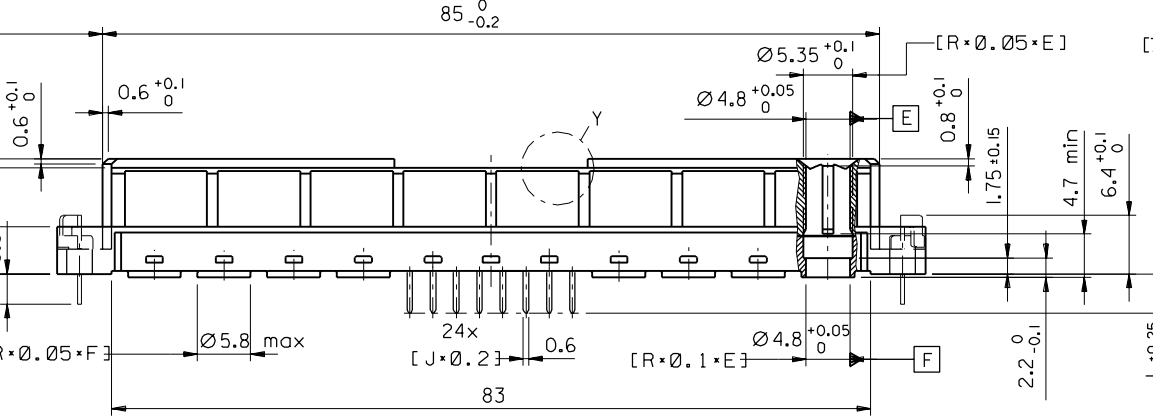
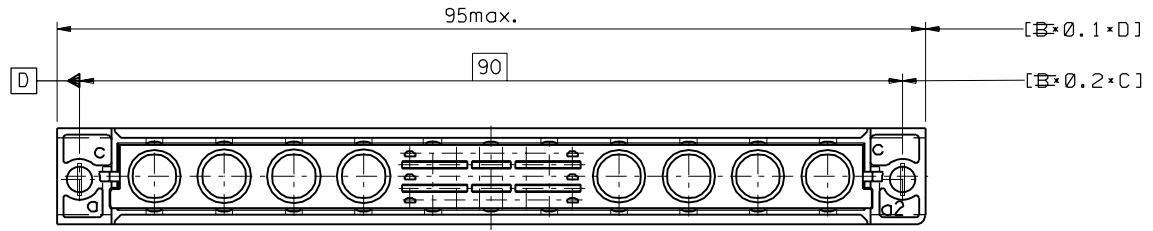
[R × 0.05 × F]

[B × 0.1 × E]

[B × 0.1 × C]

detail "Z"
M 5:1

7132-1283



| | | | |
|--|--|----------------|------|
| FIRST ANGLE PROJECTION | | DRWG BY KN | SIGN |
| UNLESS OTHERWISE SPECIFIED TOLERANCES: ANGULAR ±2° | | CHK'D BY Ca | SIGN |
| INCH METRIC | | APP'D BY JB | SIGN |
| DRAFT WHERE APPLICABLE MUST REMAIN WITHIN DIMENSIONS | | SCALE 2:1 | |
| DESIGN DIMENSION <input checked="" type="checkbox"/> MM <input type="checkbox"/> IN. | | | |
| EQUIVALENT DIMENSION <input type="checkbox"/> MM <input type="checkbox"/> IN. | | | |
| IF TWO DIMENSIONS ARE SHOWN THE UPPER IS THE DESIGN DIMENSION, LOWER IS SECONDARY | | | |

| | | | |
|--|--|---|----------|
| REVISE ONLY ON CAD SYSTEM | | SH. | REV. |
| CAD/CAM PROJECT NAME 85048000 841 | | THIS DRAWING CONTAINS INFORMATION THAT IS PROPRIETARY TO MOLEX INC. & SHOULD NOT BE USED WITHOUT WRITTEN PERMISSION | |
| TITLE 24 pol. Federleiste 24 pos. female connector DIN 41612, style M | | | |
| MOLEX MOLEX EUROPE | | SHEET NO. | DATE |
| PART NO. | | 1 OF 1 | 97/04/14 |
| DWG NO. SD-85048-0004 | | SIZE | B |

| | |
|----------|-------------------------------------|
| ECN 2478 | first release |
| LTR | REVISIONS |
| A | FOR PREVIOUS REVISIONS SEE MRI LIST |

