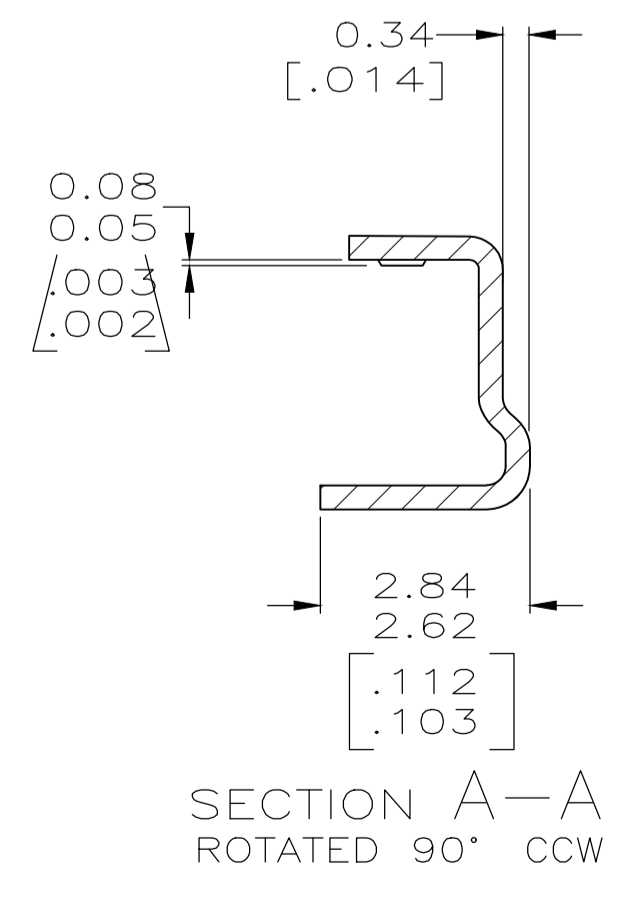
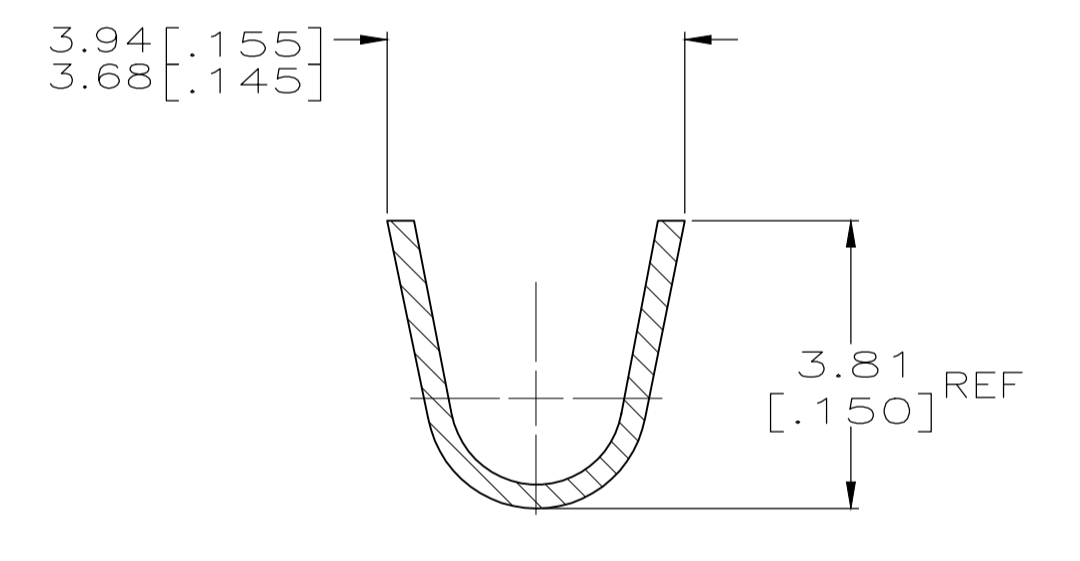
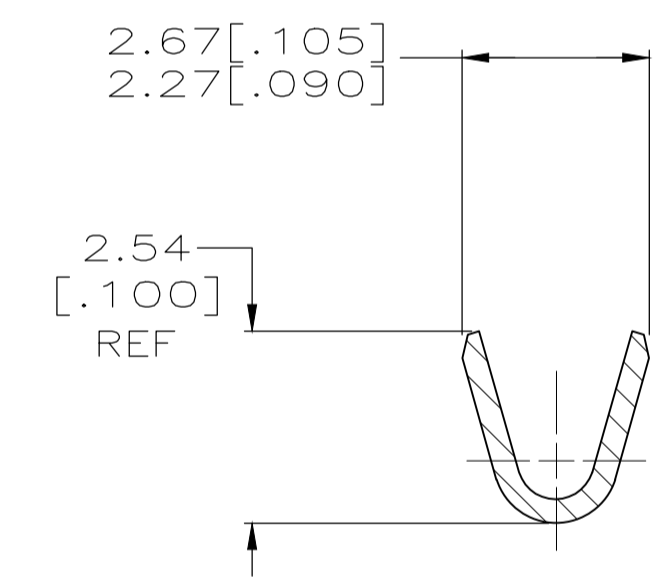
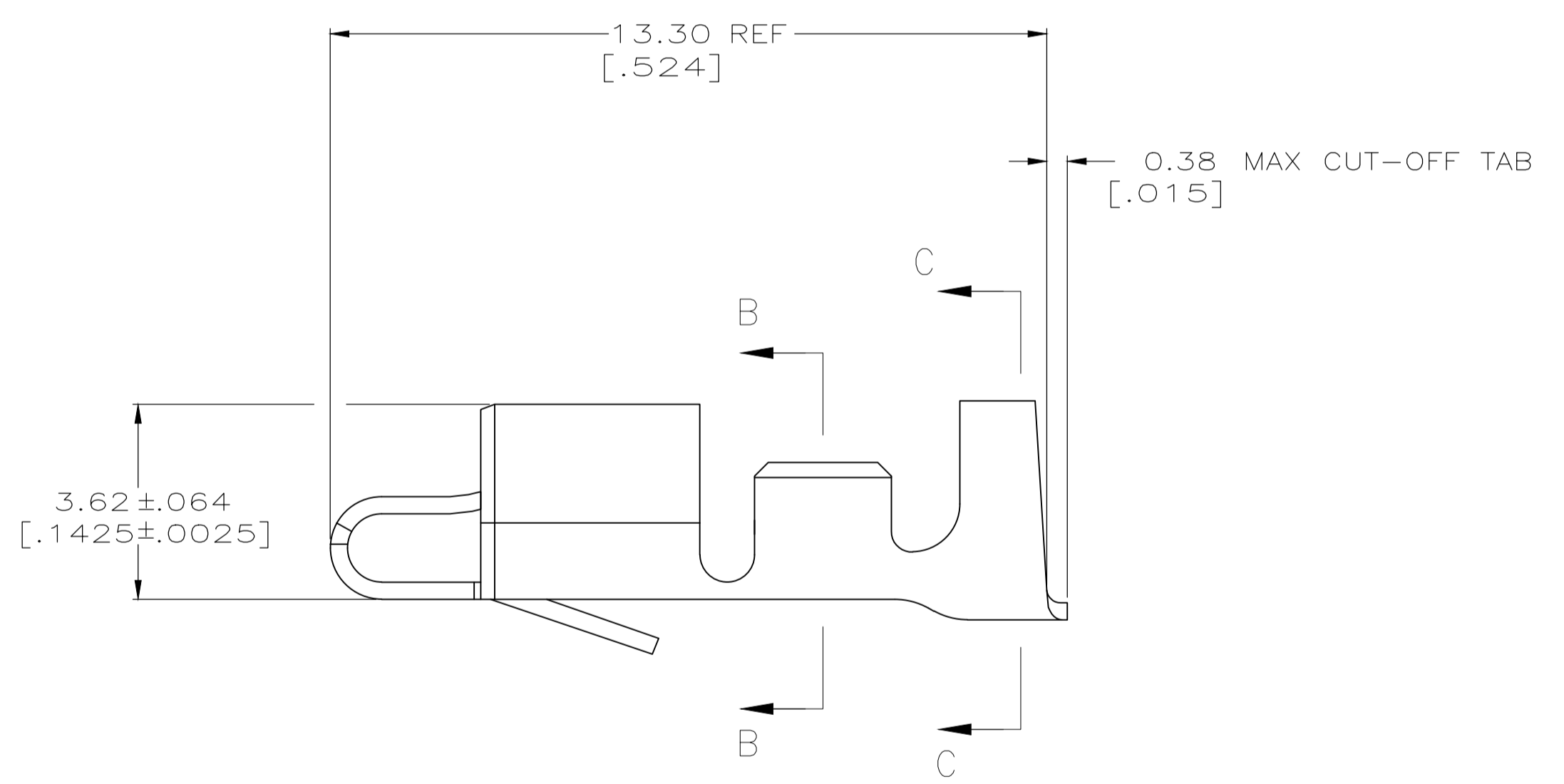
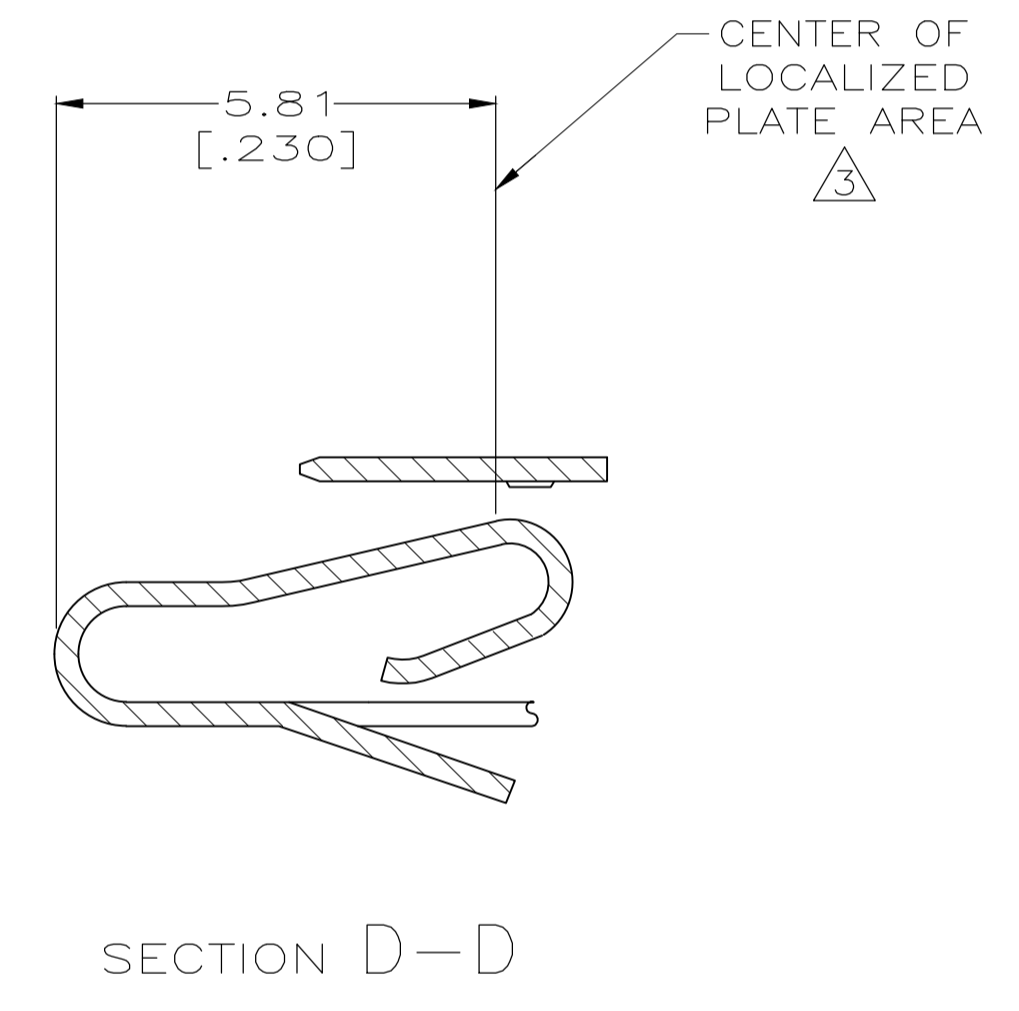
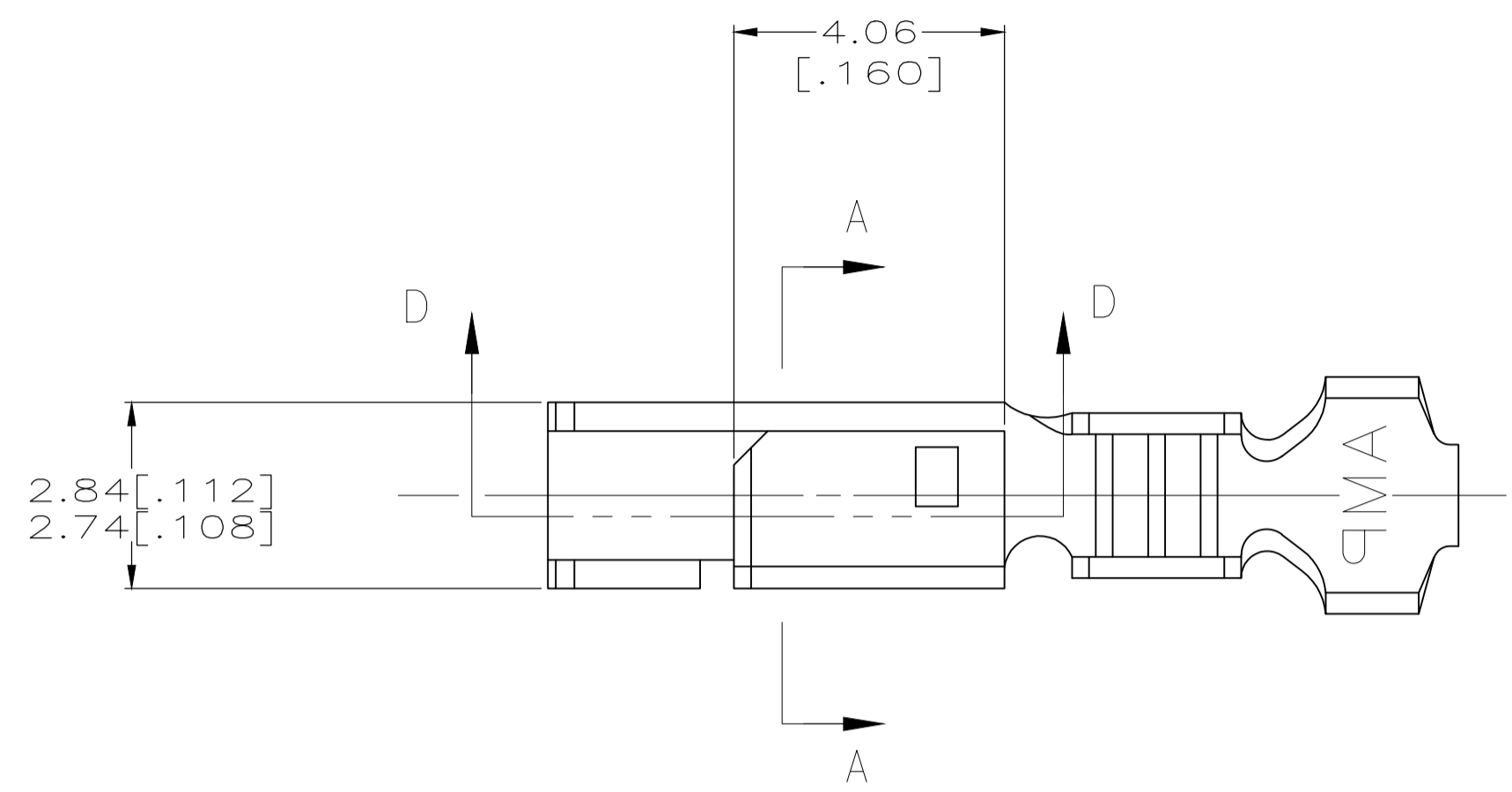


REVISIONS					
P	LTR	DESCRIPTION	DATE	DMN	APVD
C		REVISED PER ECR-18-019874	19MAR2019	BDA	SG

- INSULATION RANGE: 1.78-2.84 [.070-.112]
 WIRE RANGE: 0.2-0.9 mm² (24-18) AWG.
- 0.00203 [.000080] MIN MATTE TIN-LEAD OVER
 0.00127 [.000050] MIN NICKEL.
- 0.00076 [.000030] MIN THICK GOLD STRIPES IN
 LOCALIZED PLATE AREA ON BEAM AND DIMPLE OVER
 0.00127 [.000050] MIN THICK NICKEL OVER ENTIRE
 CONTACT.
- DIMENSIONS IN BRACKETS ARE IN INCHES.
- FOR USE ONLY WITH LID STYLE HOUSING.
- 0.00203 [.000080] MIN MATTE TIN OVER
 0.00127 [.000050] MIN NICKEL.
- OBSOLETE PARTS



FINISH	MATERIAL	PART NO.	REVISIONS
6	PHOS BRONZE	3-647409-1	
3	PHOS BRONZE	647409-2	
7 SUPERSEDED	PHOS BRONZE	647409-1	

THIS DRAWING IS A CONTROLLED DOCUMENT.

DMN: K. WHITAKER 15-JAN-2001	TE Connectivity Ltd.
CHK: J. ELLIS 15-JAN-2001	
APVD: J. ELLIS 15-JAN-2001	NAME: SL-156 HOODED RECEPTACLE, LARGE DIA. INSULATION TYPE, LOOSE PIECE
PRODUCT SPEC: 108-1049	SIZE: A1
APPLICATION SPEC: 114-1021	SCALE: 10:1
WEIGHT: -	SHEET: 1 OF 1
CUSTOMER DRAWING	REV: C