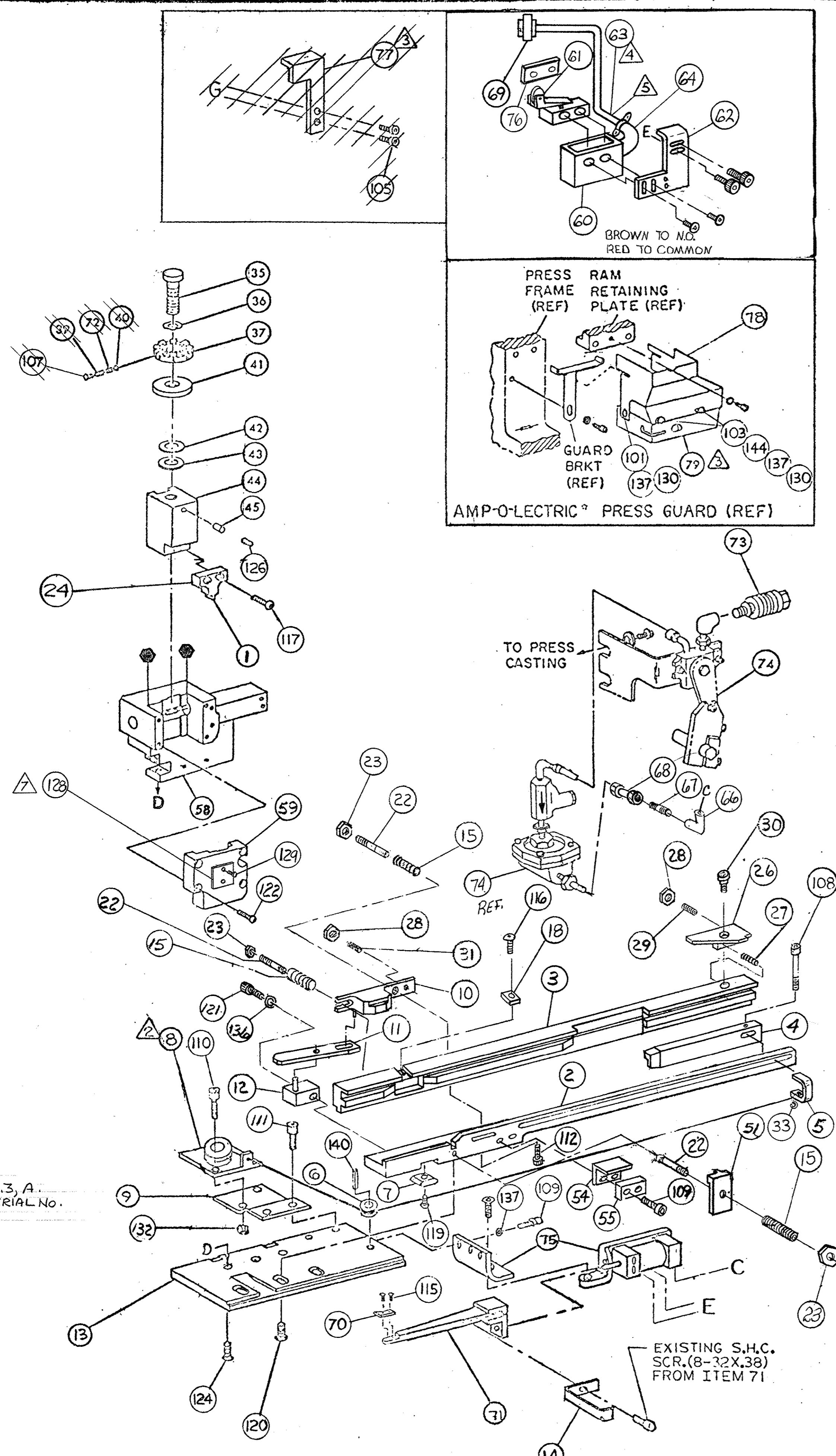


THIS DRAWING IS A CONTROLLED DOCUMENT.



- NOTES:**
- I ONLY THE ITEMS WITH QUANTITIES SPECIFIED ON PARTS LIST ARE USED ON THIS APPLICATOR.
 - ▲ GUARD MUST BE IN PLACE WHEN OPERATING APPLICATOR IN AMP-O-LECTRIC PRESS.
 - △ SEE DRAWINGS FOR COMPONENTS
 - △ SEE CUSTOMER MANUAL (CM 6128) BASIC AMP-O-LECTRIC PRESSES FOR INSTALLATION OF THIS INTERLOCK SWITCH
 - △ TERMINATED LIKE CLOSED END CONNECTOR (NOT FEED THRU)
 - △ IDENTIFY PER SPEC 106-2, PARA 3.3, A. STAMP PN 466727-1, MTA.156 & SERIAL NO.
- KEY:**
- RECOMMENDED SPARE PARTS.
 - ▲ LUBRICATE DAILY USING NO. 20 MACHINE OIL
 - GREASE LIGHTLY

QTY	PART NO	DESCRIPTION	ITEM NO	QTY	PART NO	DESCRIPTION	ITEM NO
1	92073-1	DOCUMENTATION PACKAGE	145	1	461867-1	CAP, RAM	59
2	26928-3	SPACER, SPLIT ROLLED (#8X.50) GUARD	144	1	462179-1	HOUSING	58
			143				57
			142				56
			141	1	684235-1	BLOCK, RETAINER, FINGER	55
1	21029-4	PIN, SLOT. SPG. (.187X.62) PULLEY	140	1	684236-1	BRACKET, RETAINER, FINGER	54
			139				53
			138				52
3	22260-6	WASHER, FLAT (#8) AIR FEED ASS'Y	137				51
7	21023-6	WASHER, FLAT (#8) GUARD	136	1	68118-2	LOCATOR, HOUSING	50
1	21024-3	WASHER, LOCK (#6)	135				49
			134				48
			133				47
2	21022-3	NUT, HEX. SELF-LKG (10-32) REEL, RETRIEVER	132				46
			131	1	690191-1	PLUG, NYLON	45
3	21018-6	NUT, HEX. MACH. (8-32) GUARD	130	1	461865-1	RAM	44
2	21017-2	SCR, DRIVE, # 2 X .19	129	1	690125-1	WASHER, LAMINATED	43
1	464249-1	PLATE, IDENTIFICATION	128	1	690124-3	WASHER, RAM	42
			127	1	690223-1	SPACER, DISC	41
1	21009-2	SCR, SOC. SET (1/4-20X.25) (LOC-WELL) RAM	126	1	23241-6	BALL, STEEL	40
			125	1	690170-1	SPRING, COMPRESSION	39
			124				38
3	2-22733-9	SCR, BTN. HD. SOC. CAP (1/4-20X.75) (LOC-WELL) PLT.	123	1	679600-5	DISC, WIRE	37
			122	1	22480-5	WASHER, SPRING	36
4	2-21002-9	SCR, BTN. HD. SOC. CAP (10-32X.75) CAP, RAM	121	1	690212-1	POST, RAM	35
1	1-21002-8	SCR, BTN. HD. SOC. CAP (6-32X.50) HOLDER, DRAG	120				34
3	2-21002-6	SCR, BTN. HD. SOC. CAP (10-32X.38) TRACK, HOUS.	119	1	25745-1	SPLIT RING	33
1	2-21002-6	SCR, BTN. HD. SOC. CAP (10-32X.38) LOCATOR, F. T.	118				32
			117	1	2-21006-3	SCR, SOC. SET #4-40 X .38 LG.	31
2	2-21002-1	SCR, BTN. HD. SOC. CAP (8-32X.38) STUFFER, WIRE	116	1	21989-6	SCR, SOC. SHLD. .188 DIA X .125	30
1	1-21002-3	SCR, BTN. HD. SOC. CAP (4-40 X .25) STOP, WIRE	115	1	2-21006-6	SCR, SOC. SET #4-40 X .62 LG.	29
2	1-21000-4	SCR, SOC. HD. SOC. CAP (4-40X.38) TIP, F. FINGER	114	2	21018-4	NUT, HEX. MACH #4-40	28
			113	1	22278-5	SPRING, COMPRESSION	27
5	1-21000-9	SCR, SKT. HD. CAP (6-32 X .38) BLOCK, F. GUIDE	112	1	467328-1	LATCH, PUSHER	26
2	3-21000-4	SCR, SKT. HD. CAP (10-32 X .38) MOUNT, RET. REEL	111				25
2	3-21000-5	SCR, SKT. HD. CAP (10-32 X .50) REEL, RETRIEVER	110	1	681116-1	HOLDER, WIRE STUFFER	24
5	2-21000-8	SCR, SKT. HD. CAP (8-32X.62) AIR FEED ASS'Y	109	3	21022-2	NUT, HEX. SELF LKG (8-32)	23
1	2-21000-4	SCR, SKT. HD. CAP (6-32X.60) PUSHER, HOUSING	108	3	22354-6	STUD, DRAG	22
1	23030-1	SCR, SKT. HD. CAP (6-32X.25) (LOC-WELL) DISC	107				21
			106				20
			105				19
2	7-21000-9	SCR, SKT. HD. CAP (4-40X.18) GUARD, AIR CYL.	104	1	805406-1	GUIDE, WIRE	18
2	7-22468-4	SCR, BIND. HD. MACH. (8-32X.88) GUARD	103				17
			102				16
1	7-22468-0	SCR, BIND. HD. MACH. (8-32X.38) GUARD	101	3	2-22280-6	SPRING, DRAG	15
1	461870-2	GUARD, WINDOW	79	1	462299-1	RELEASE, FEED	14
1	457133-1	SHROUD	78	1	461869-1	PLATE, BASE	13
1	463258-1	GUARD, AIR CYLINDER	77	1	468805-1	BLOCK, DRAG, PIYOT ASS'Y	12
1	465803-1	NUT, MOUNTING	76	1	468806-1	HANDLE, DRAG RELEASE	11
1	460277-5	AIR FEED ASSEMBLY	75	1	461484-1	DRAG	10
1	692655-1	AIR FEED VALVE ASSEMBLY - (92655-5)	74	1	461864-1	MOUNT, REEL	9
1	24042-2	VALVE, 3WAY SLEEVE (SHUT-OFF)	73	1	462300-1	REEL, RETRIEVER	8
1	690603-1	SPRING, ASSIST	72	1	461856-1	LOCATOR, FEED TRACK	7
1	1-460680-1	FEED FINGER ASSEMBLY	71	1	461859-1	PULLEY, PUSHER	6
1	463090-3	TIP, FEED FINGER	70	1	468810-1	BRKT, CABLE CONNECTOR	5
1	22787-2	CONNECTOR, BOX	69	1	468808-1	PUSHER, HOUSING	4
1	22302-1	COUPLING, FEMALE	68	1	468815-1	GUIDE, HOUSING	3
1	22313-5	NIPPLE	67	1	468809-1	TRACK, HOUSING	2
1	22306-1	ELBOW, STREET 90°	66	1	681117-1	STUFFER, WIRE INSERT	1
			65				
1	22803-1	CONNECTOR, 90° BOX	64				
1	465918-1	WIRE, SJO TERMINATED	63				
1	462453-2	BRACKET, SWITCH	62				
1	23699-1	SWITCH, MICRO	61				
1	23486-1	COVER, MICRO SWITCH	60				

REMARKS	NO	REV
APPL USED ON MACHINE PART NO	MACH SERIAL NO	DISTRIBUTION
CUSTOMER NAME	APPL SERIAL NO	ORIGINAL
ADDRESS	PURCHASE ORDER	CUSTOMER COPY
CITY	ENG APP	FIELD ENG COPY

WIRE RANGE	INSULATION RANGE	PRESS NO
#18 - #26	.070 MAX DIA.	565435-5

FOR INSERTION DEPTH OF WIRE IN HOUSING SEE AMP SPECIFICATION 114-1020

I.D. PLATE (REF) 46249-1

REV	DESCRIPTION	DATE	BY
V	0150-0734-01	7-01	CE
U	ECN 0150-9329-39	5-99	TL
T	0150-7538-97	3-97	UC
S	ECN 0150-5163-94	2-94	MTB
RI	ECN A-315592		
R	ECN A-230790		
P	ECN A163288		

APPL INST AI-8054
DR 12593 APP
REV PER SUPPLEN R5201
REV PER ECN R 5201
REV PER ECN R 4954
REV PER ECN R 4954
REV PER ECN R 4954

NAME MTA 466727-1
NAME MTA 466727-1
NAME MTA 466727-1

DATE 00779 CUSTOMER AND ASSEMBLY DRAWING