

RED INDICATES ORIGINAL

DISK # C 4
 DATA CONTAINED IN THIS DOCUMENT IS PROPRIETARY TO TROMPETER ELECTRONICS INC. AND SHALL NOT BE DISCLOSED, COPIED OR USED FOR PROCUREMENT OR MANUFACTURE WITHOUT EXPRESS WRITTEN PERMISSION.

| REV | | EO | DESCRIPTION | DWN | APPROVED | DATE |
|-----|------|----|---|-----|--------------------|---------|
| W | 8594 | | ADDED -63 CABLE GROUP; DIM .600 & .655 WERE .570 AND .640; DWG NO WAS 1000-0134 AND REDRAWN | DJK | <i>[Signature]</i> | 11-3-89 |

| DASH NO | FIG | CABLES ACCOMMODATED | A DIM | B FLATS | C HEX | D DIA MAX | ASSEMBLE PER |
|---------|-----|---------------------|-------|---------|-------|-----------|--------------|
| -1 | | RG-58 | | | | | |
| -U1 | | ESSEX 821-715 | | | | | |
| -2 | | RG-59 | | | | | |
| -U2 | | | | | | | |
| -2A | | BELDEN 8297 | | | | | |
| -U2A | | | | | | | |
| -2B | | W.E.CO. 730A | | | | | |
| -U2B | | | | | | | |
| -3 | 1,3 | RG-223 | .997 | .500 | .437 | .600 | |
| -U3 | | | | | | | |
| -3A | | RG-55 | | | | | |
| -U3A | | | | | | | |
| -4 | | RG-122 | | | | | |
| -U4 | | BELDEN 8218 | | | | | |
| -5 | | RG-174 | | | | | |
| -U5 | | RG-187 | | | | | |
| -5A | | | | | | | |
| -USA | | RG-196 | | | | | |
| -5B | | HEWLETT-PACKARD | | | | | |
| -USB | | 8120-1107 | | | | | |
| -6 | 1 | BELDEN 9231 | 1.030 | .562 | .500 | .655 | TAI-101 |
| -U6 | | | | | | | |
| -6E | | RG-5 | | | | | |
| -U6E | | RG-6 | | | | | |
| -21 | | RG-303 | | | | | |
| -U21 | | | | | | | |
| -22 | | RG-180 | | | | | |
| -31 | | GRUMMAN GC8756P1 | | | | | |
| -U31 | | RG-187 DBL SHLD | | | | | |
| -34 | | BELDEN 8228 | .997 | .500 | .437 | .600 | |
| -U34 | | | | | | | |
| -36 | 1,3 | 275-3991 MICRODOT | | | | | |
| -U36 | | 616-568 AMPEX | | | | | |
| -37 | | 810 RAYCHEM | | | | | |
| -U37 | | | | | | | |
| -41 | | RG-304, BELDEN | | | | | |
| -U41 | | 9248, 9284, 9383 | | | | | |
| -44 | | BRAND-REX B749 | | | | | |
| -U44 | | 60RE C05C032 | | | | | |
| -51 | 1 | 88281 BELDEN | 1.030 | .562 | .500 | .655 | |
| -U51 | | | | | | | |
| -52 | | 89120 BELDEN | | | | | |
| -U52 | | | | | | | |
| -53 | 1,3 | 89555 BELDEN | | | | | |
| -U53 | | | | | | | |
| -63 | | 734A, AT&T | .997 | .500 | .437 | .600 | |
| -U63 | | | | | | | |
| -086 | 2 | RG-405 | | | | | TAI-130 |
| -U086 | | | | | | | |
| -141 | | RG-402 | | | | | |
| -U141 | | | | | | | |

FIG 1 Δ
 - 1 SHOWN

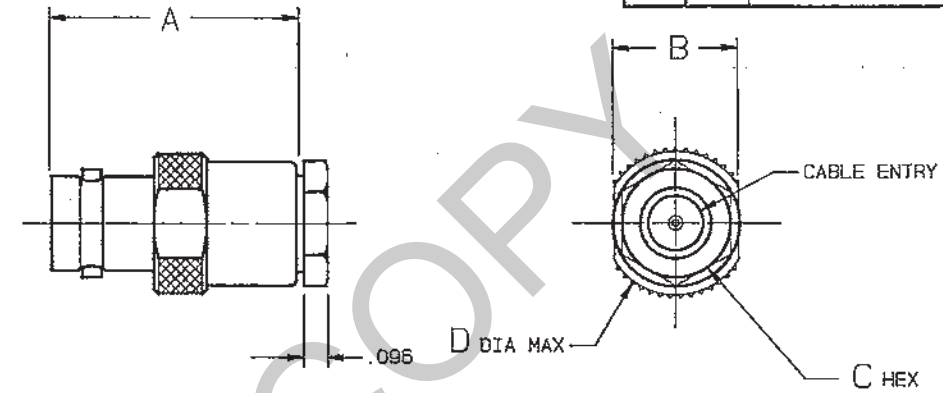


FIG 2 Δ
 - 086 SHOWN

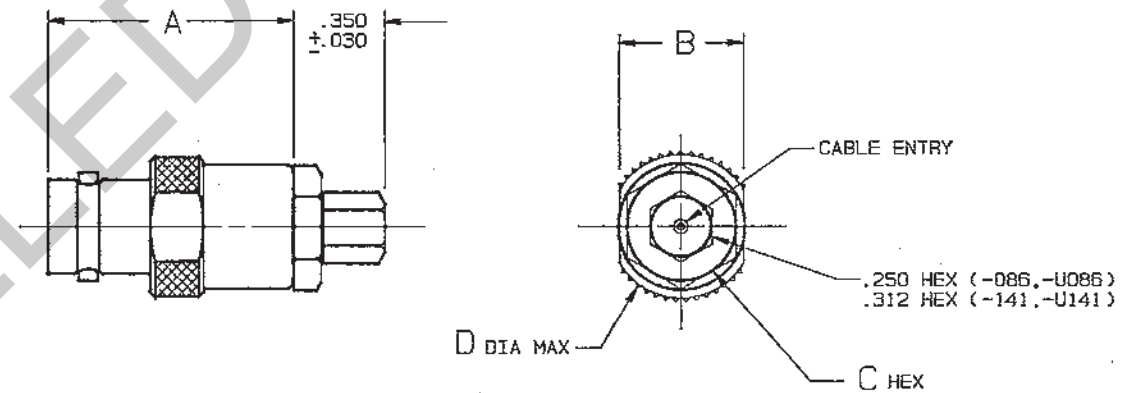
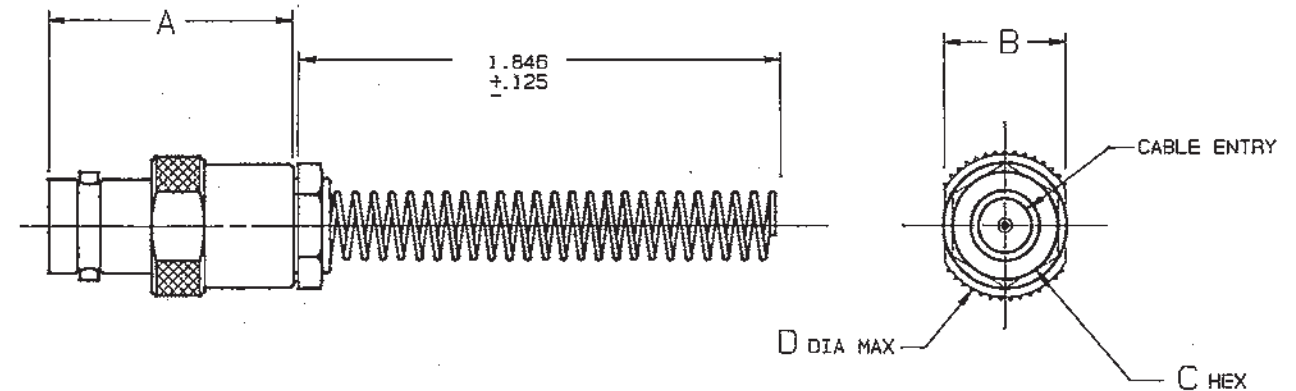


FIG 3 Δ
 - 1 SHOWN



| INCH | MM |
|-------|-------|
| .005 | 0.13 |
| .030 | 0.76 |
| .096 | 2.44 |
| .125 | 3.18 |
| .250 | 6.35 |
| .312 | 7.92 |
| .350 | 8.89 |
| .437 | 11.10 |
| .500 | 12.70 |
| .562 | 14.27 |
| .600 | 15.24 |
| .655 | 16.64 |
| .997 | 25.32 |
| 1.030 | 26.16 |
| 1.846 | 46.89 |

Δ IF BEND RELIEF SPRING REQUIRED ADD SUFFIX "BR" TO MODEL NO. (SEE FIG 3) (NOT AVAILABLE WITH CABLE GROUPS -6, -U6, -6E, -U6E, -51, -U51, -52, -U52, -63, -U63, -086, -U086, -141 & -U141)

4. DASH NO DENOTES CABLE GROUP EXCEPT "U" PREFIX DENOTES 75 OHM VERSION
3. FEMALE TYPE BNC COAXIAL CABLE PLUG BOTH 50 & 75 OHM VERSIONS
2. FINISH: TFS-1A (NICKEL)
1. ALL DIM ARE IN INCHES

| DESCRIPTION | | PART NUMBER | | ITEM |
|-------------|-----------|----------------|--|------|
| 105-0717 | 105-0449 | CJ20/UCJ20 | | |
| 110-0002 | 1-0220 | CJ20BR/UCJ20BR | | |
| 205-0001 | 1-0218 | | | |
| 105-1010 | 1-0204 | | | |
| 105-1004 | 1-0212 | | | |
| 105-0158 | NEXT ASSY | | | |

| | | | | |
|----------------------|-------------------------------------|----------|----------------|--------------|
| TOL UNLESS SPECIFIED | TROMPETER RF connectivity | | CJ20/UCJ20 | |
| .XX ± | | | CJ20BR/UCJ20BR | |
| .XXX ± .005 | | | | |
| .XXXX ± | | | | |
| ANGLES ± | | | | |
| DWN | DJK | 9/15/89 | MATERIAL | CODE IDENT |
| CHK | DA | 10/27/89 | 14949 | DRAWING NO. |
| ENGR | DA | 10/31/89 | | 1-0134 |
| APPR | DA | 11-3-89 | SCALE 2/1 | DATE 1/17/66 |
| | | | | SHEET 1 OF 2 |