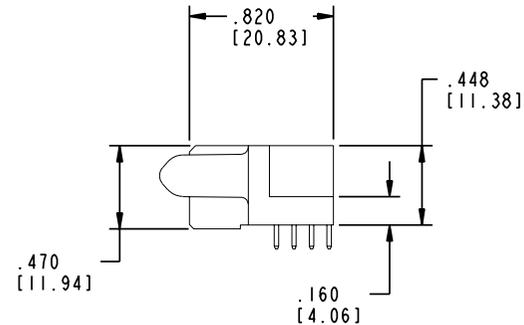
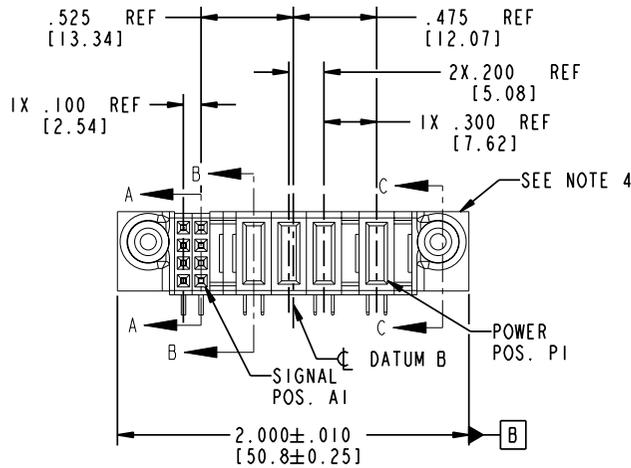


Tous droits strictement réservés. Reproduction ou communication à des tiers interdite sous quelque forme que ce soit sans autorisation écrite du propriétaire. Propriété de c FCI. Droits de reproduction FCI.

All rights strictly reserved. Reproduction or issue to third parties in any form whatever is not permitted without written authority from the proprietor. Property of FCI. Copyright FCI.

PRODUCT NO.	ROWS	SIGNAL				POWER				
		E2	2	1		P4	P3	P2	P1	E1
51915-073 Note: ③	D C B A		H G F E			PA	X	PC	PC	



CODE	DIM "M" MATING LENGTH	CONTACT TYPE
PA	.042 [1.07]	POWER
H	N/A [N/A]	SIGNAL
G	N/A [N/A]	SIGNAL
F	N/A [N/A]	SIGNAL
E	N/A [N/A]	SIGNAL
PC	.092 [2.34]	POWER

mat'l code		SEE NOTE 2		tolerances unless otherwise specified		CUSTOMER		 www.fciconnect.com	
ltr	ecn no.	dr	date	linear	linear	projection	title	product family	code
A	DG05-0109	GuoJM	05/12/05		.XX±.01/0.X±0.3	COPY	4P+8S	PwrBlade	213
				angles	.XXX±.005/0.XX±0.13		R/A SOLDER RECEPTACLE		
				dr	.XXX±.0020/0.XX±0.051	INCH/MM			
				enr	0°±2°	scale			
				chr	JM Guo 05/12/05	1:1			
				appd	STEVEN 05/12/05				
					VICTOR LIN 05/12/05				
					JOSEPH HSIA 05/12/05				
sheet index	revision	A	A	A	A				
	sheet	1	2	3	4				

Pro/E

cage code 22526

PDM: Rev:A

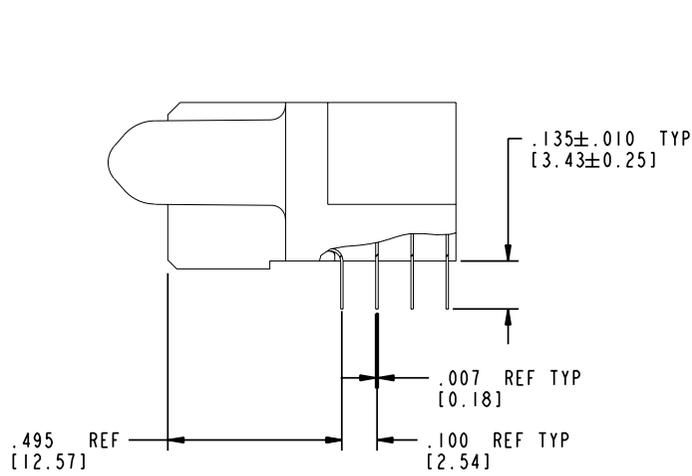
STATUS: Released

Printed: Dec 20, 2010

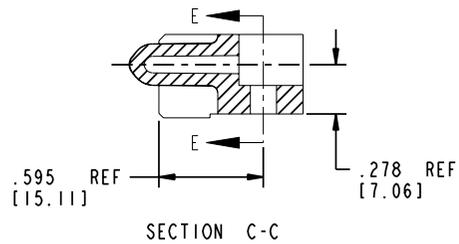
Tous droits strictement réservés. Reproduction ou communication a des tiers interdite sous quelque forme que ce soit sans autorisation écrite du propriétaire. Propriété de c FCI. Droits de reproduction FCI.

All rights strictly reserved. Reproduction or issue to third parties in any form whatever is not permitted without written authority from the proprietor. Property of FCI. Copyright FCI.

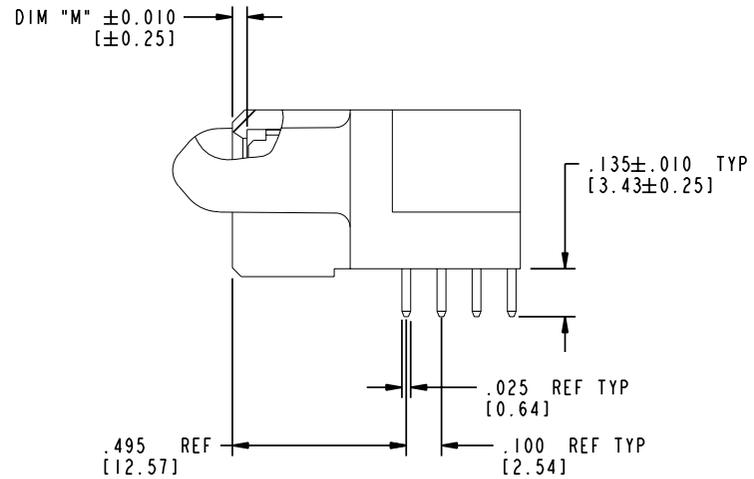
PRODUCT NUMBER
51915-073..
 Note: ③



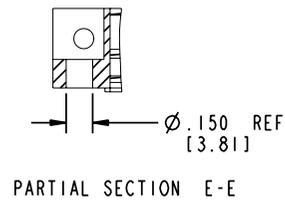
BROKEN-OUT SECTION A-A
 SCALE 2:1



SECTION C-C



BROKEN-OUT SECTION B-B
 SCALE 2:1



PARTIAL SECTION E-E

mat'l code		SEE NOTE 2		tolerances unless otherwise specified		CUSTOMER		 www.fciconnect.com	
ltr	ecn no.	dr	date	linear	.XX ± .01/0.X ± 0.3	COPY		projection	title
A					.XXX ± .005/0.XX ± 0.13	INCH/MM			4P+8S
				angles	.XXX ± .0020/0.XX ± 0.051	scale		product family	R/A SOLDER RECEPTACLE
				dr	0° ± 2°	1:1		PwrBlade	code
				enr	JM Goo 05/12/05			size	213
				chr	STEVEN 05/12/05			dwg no	sheet
				appd	VICTOR LIM 05/12/05			51915-073	2 of 4
					JOSEPH HSIA 05/12/05				
sheet index	revision sheet								

cage code **22526**

Pro/E

PDM: Rev:A

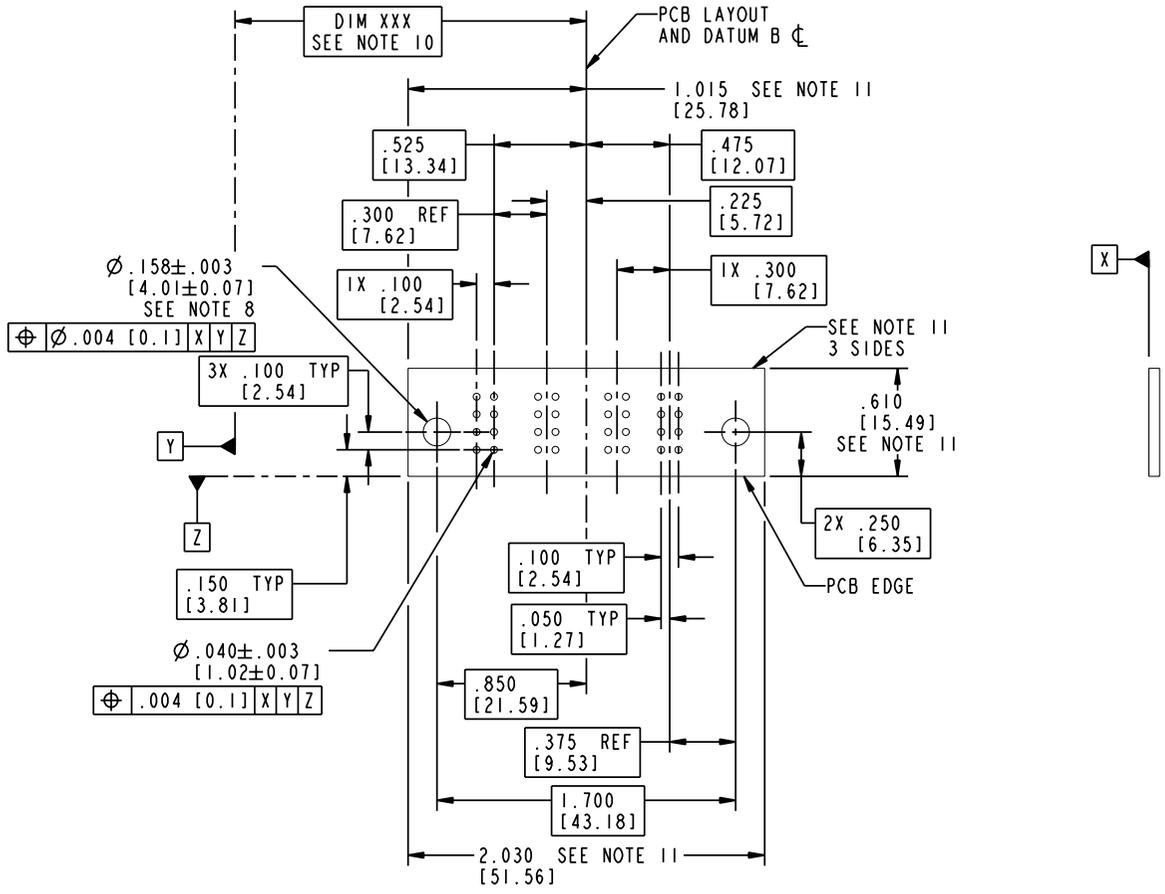
STATUS: Released

Printed: Dec 20, 2010

Tous droits strictement réservés. Reproduction ou communication a des tiers interdite sous quelque forme que ce soit sans autorisation écrite du propriétaire. Propriété de c FCI. Droits de reproduction FCI.

All rights strictly reserved. Reproduction or issue to third parties in any form whatever is not permitted without written authority from the proprietor. Property of FCI. Copyright FCI.

PRODUCT NUMBER
51915-073..
 Note: ③



mat'l code		SEE NOTE 2		tolerances unless otherwise specified		CUSTOMER		 www.fciconnect.com	
ltr	ecn no.	dr	date	linear	$.XX \pm .01/0.X \pm 0.3$ $.XXX \pm .005/0.XX \pm 0.13$ $.XXX \pm .0020/0.XX \pm 0.051$	COPY	projection	title	
A				angles	$0 \pm 2^\circ$			4P+8S R/A SOLDER RECEPTACLE	
				dr	JM Goo 05/12/05		INCH/MM	product family	PwrBlade
				enr	STEVEN 05/12/05		scale	size	dwg no
				chr	VICTOR LIN 05/12/05		1:1		51915-073
				appd	JOSEPH HSIA 05/12/05			code	213
sheet index	revision sheet							sheet	3 of 4

Pro/E

cage code **22526**

PDM: Rev:A

STATUS: Released

Printed: Dec 20, 2010

Tous droits strictement réservés. Reproduction ou communication à des tiers interdite sous quelque forme que ce soit sans autorisation écrite du propriétaire. Propriété de c FCI. Droits de reproduction FCI.

All rights strictly reserved. Reproduction or issue to third parties in any form whatever is not permitted without written authority from the proprietor. Property of FCI. Copyright FCI.

PRODUCT NUMBER
51915-073_
Note: ③

NOTES:

1. DIMENSIONS AND TOLERANCES ARE IN ACCORDANCE WITH ASME Y14.5M, 1994 UNLESS OTHERWISE SPECIFIED.

CONNECTOR NOTES:

②. HOUSING MATERIAL: UL 94 V-0 GLASS FILLED
HIGH-TEMP THERMOPLASTIC
POWER CONTACT MATERIAL: COPPER ALLOY
SIGNAL PIN MATERIAL: COPPER ALLOY

3. PLATING:
51915-073 Singal Pin:30u"/0.76um Au OVER 50u"/1.27um Ni ON THE CONTACT AREA,
AND 100u"/2.54um SnPb PLATING OVER 50u"/1.27um Ni ON THE TERMINATION SECTION.
Power Pin:30u"/0.76um Au OVER 50u"/1.27um Ni ON THE CONTACT AREA,
AND 100u"/2.54um SnPb PLATING OVER 50u"/1.27um Ni ON THE TERMINATION SECTION.

51915-073LF Singal Pin:30u"/0.76um Au OVER 50u"/1.27um Ni ON THE CONTACT AREA,
AND 78u"/2.00um Sn PLATING OVER 50u"/1.27um Ni ON THE TERMINATION SECTION.
Power Pin:30u"/0.76um Au OVER 50u"/1.27um Ni ON THE CONTACT AREA,
AND 78u"/2.00um Sn PLATING OVER 50u"/1.27um Ni ON THE TERMINATION SECTION.

PART NUMBER 51915-073LF MEETS EUROPEAN UNION DIRECTIVE AND OTHER COUNTRY REGULATIONS AS DESCRIBED IN GS-22-008.

THE HOUSING WILL WITHSTAND EXPOSURE TO 260° PEAK TEMPERATURE FOR 10 SECONDS IN A WAVE SOLDER APPLICATION WITH A CIRCUIT BOARD.

④. MANUFACTURER'S NAME, P/N, AND DATE CODE TO APPEAR ON THIS SURFACE.

5. PRODUCT SPECIFICATION GS-12-149.
APPLICATION SPECIFICATION BUS-20-067.

6. PACKAGED IN TRAYS.

PCB NOTES:

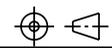
7. ALL HOLE DIAMETERS ARE FINISHED HOLE SIZE.

⑧. MOUNTING HOLES, WHERE APPLICABLE, ARE UNPLATED.

⑨. $\varnothing .0453 \pm .0010$ [1.151 \pm 0.025] DRILLED HOLES PLATED WITH
.0003 [0.008] MIN SnPb OVER .001 [0.03]
TO .003 [0.08] Cu PLATING TO ACHIEVE
 $\varnothing .040 \pm .003$ [1.02 \pm .07] HOLE.

⑩. "DIM XXX" TO BE DETERMINED BY THE CUSTOMER.

⑪. CONNECTOR KEEP-OUT ZONE.

mat'l code				SEE NOTE 2				tolerances unless otherwise specified				CUSTOMER				 www.fciconnect.com			
ltr	ecn no.	dr	date	linear	.XX±.01/0.X±0.3			COPY				title							
A					.XXX±.005/0.XX±0.13			projection				4P+8S R/A SOLDER RECEPTACLE							
				angles	0°±2°							product family							
				dr	JM Guo	05/12/05	INCH/MM				PwrBlade								
				enr	STEVEN	05/12/05	scale				code								
				chr	VICTOR LIN	05/12/05	1:1				size								
				appd	JOSEPH HSIA	05/12/05					dwg no								
sheet index				revision sheet								51915-073							
												sheet 213							
												4 of 4							

cage code **22526**

Pro/E

PDM: Rev:A

STATUS: Released

Printed: Dec 20, 2010