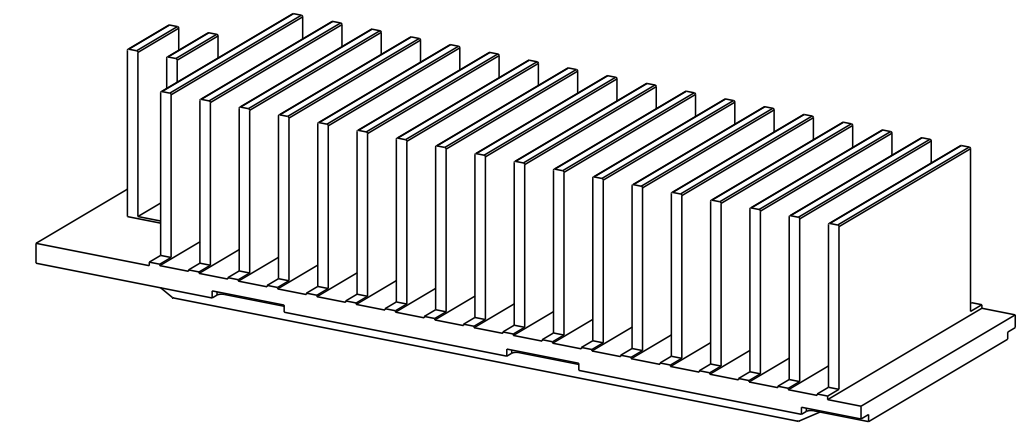
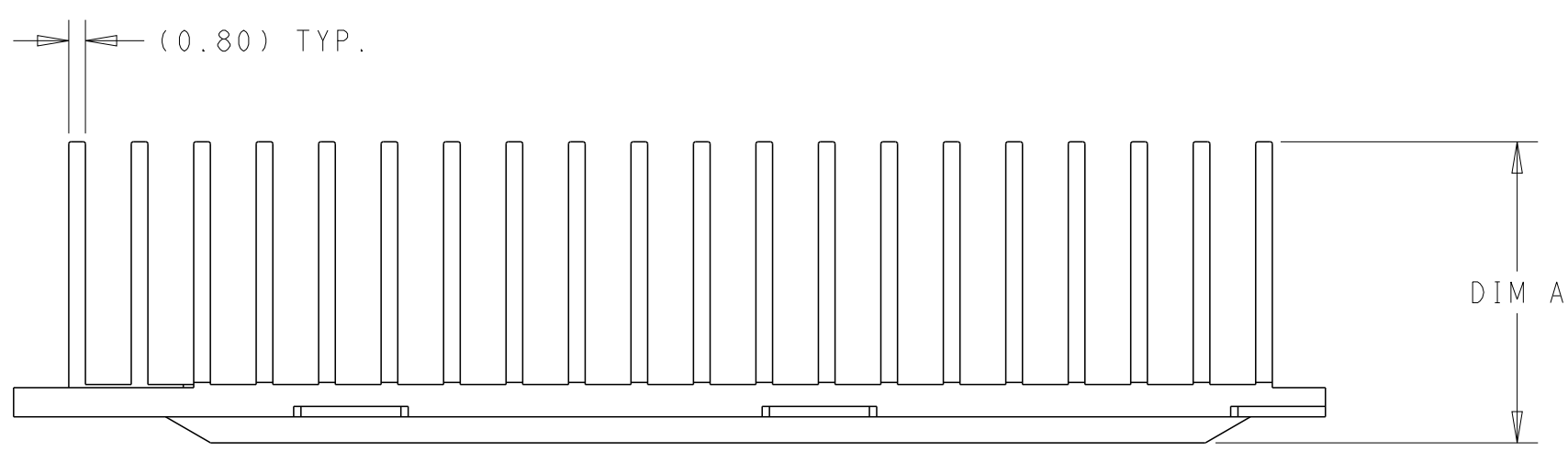
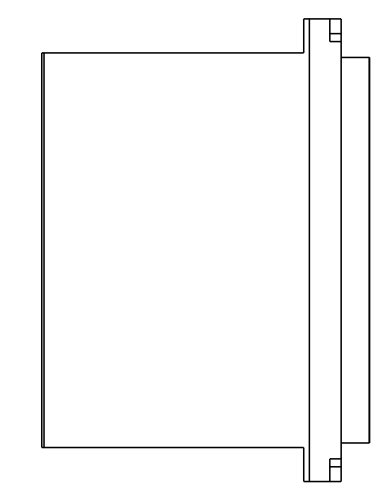
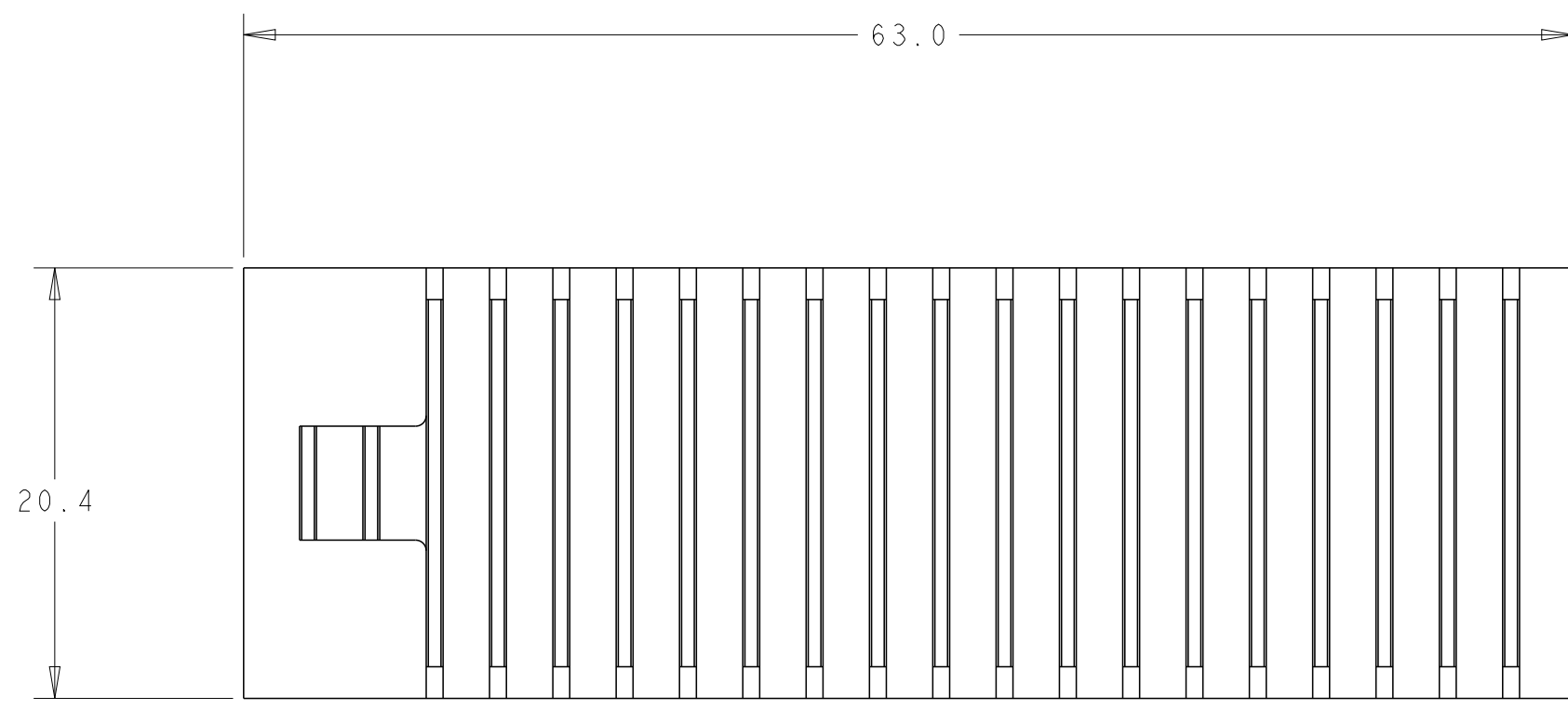


THIS DRAWING IS UNPUBLISHED. RELEASED FOR PUBLICATION 20
 © COPYRIGHT 20 BY - ALL RIGHTS RESERVED.

REVISIONS				
P	LTR	DESCRIPTION	DATE	APVD
1		INITIAL RELEASE	11OCT2016	AD SH
2		REVISED PER ECN-22-167680	03AUG2022	AK SZ



SCALE 2:1

- ① MATERIAL: ALUMINUM ALLOY;
- ② FINISH: ELECTROLESS NICKEL;
- ③ FINISH: ANODIZED BLACK;
- 4.0.2mm MAX BURR PERMISSIBLE
- 5.VARIATION IN PLATING COLOR IS NORMAL AND ALLOWED

OBSOLETE	14.45	③	2289501-3
DIM. A		FINISH	PART NUMBER

THIS DRAWING IS A CONTROLLED DOCUMENT.		DWN ANDY XIE 11OCT2016	TE Connectivity	
DIMENSIONS:		CHK SEAN HAN 11OCT2016		
mm	TOLERANCES UNLESS OTHERWISE SPECIFIED:	APVD SEAN HAN 11OCT2016	NAME HEAT SINK, SIDE TO SIDE AIRFLOW CFP4	
	0 PLC ± 1 PLC ±0.3 2 PLC ±0.25 3 PLC ±0.2 4 PLC ± ANGLES ± FINISH ±	PRODUCT SPEC -	RESTRICTED TO -	
MATERIAL -	-	APPLICATION SPEC -	SIZE A2	CAGE CODE -
-	-	WEIGHT -	DRAWING NO. C-2289501	
CUSTOMER DRAWING			SCALE 1:1	SHEET 1 OF 1 REV 2