

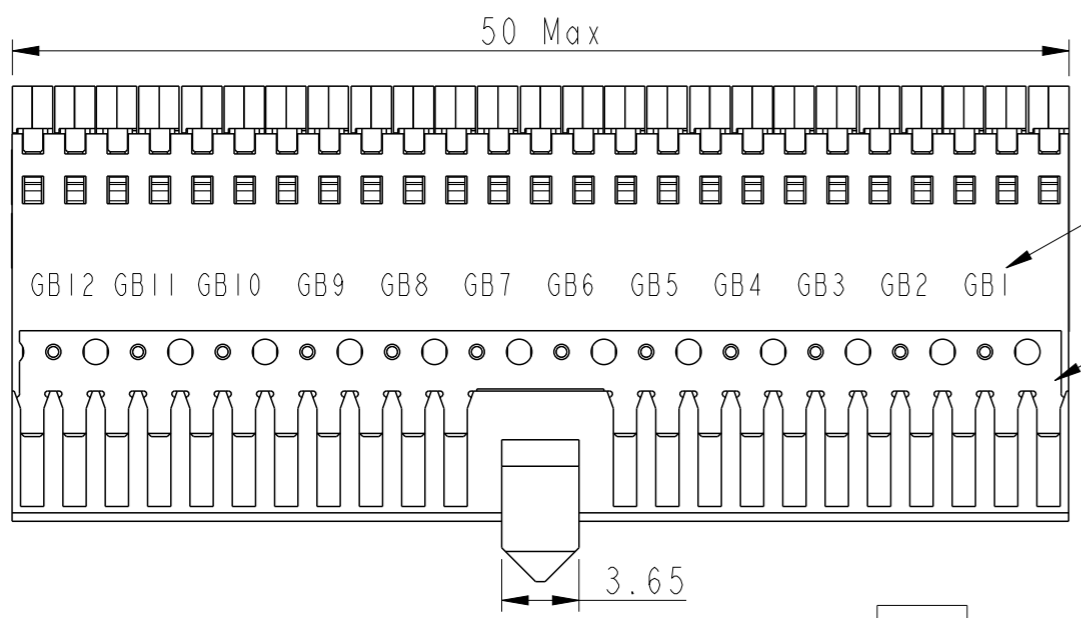
	1				2				3				4			
PART NUMBER	GRNDBAR 1 POS	GRNDBAR 2 POS	GRNDBAR 3 POS	GRNDBAR 4 POS	GRNDBAR 5 POS	GRNDBAR 6 POS	GRNDBAR 7 POS	GRNDBAR 8 POS	GRNDBAR 9 POS	GRNDBAR 10 POS	GRNDBAR 11 POS	GRNDBAR 12 POS				
10152238-101LF	2A, 3B, 2C, 3D, 2E	5A, 4B, 5C, 4D, 5E	6A, 7B, 6C, 7D, 6E	9A, 8B, 9C, 8D, 9E	10A, 11B, 10C, 11D, 10E	13A, 12B, 13C, 12D, 13E	14A, 15B, 14C, 15D, 14E	17A, 16B, 17C, 16D, 17E	18A, 19B, 18C, 19D, 18E	21A, 20B, 21C, 20D, 21E	22A, 23B, 22C, 23D, 22E	25A, 24B, 25C, 24D, 25E				
10152238-102LF	NIL	NIL	NIL	NIL	NIL	NIL	NIL	NIL	NIL	NIL	NIL	NIL				

ABOVE TABLE SHOWS CONNECTED GROUND POSITIONS OF INDIVIDUAL GROUNDBARS

PINNING CONFIGURATION

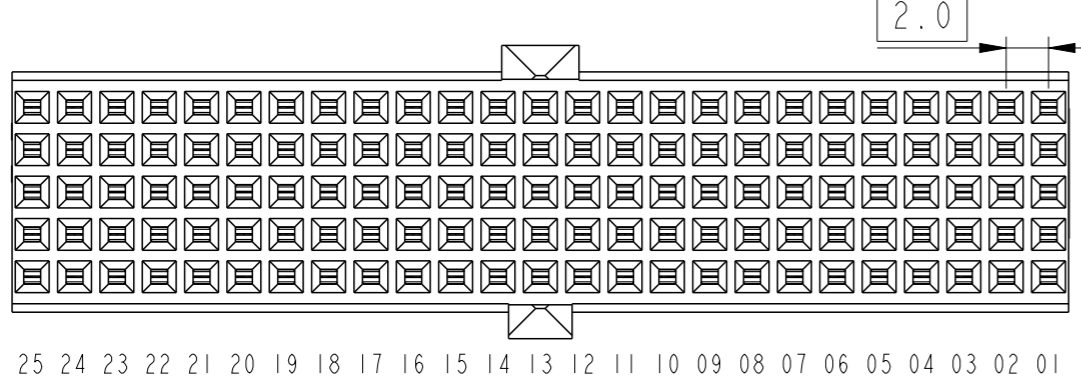
	0	0	0	0	0	0	0	0	0	0		0	0	0	0	0	0	0	0	0	0
G	G	HS	HS	G	G	HS	HS	G	G	HS	HS	HS	G	G	HS	HS	G	G	HS	HS	G
HS	HS	G	G	HS	HS	G	G	HS	HS	G	G	HS	HS	G	G	HS	HS	G	G	HS	HS
G	G	HS	HS	G	G	HS	HS	G	G	HS	HS	HS	G	G	HS	HS	G	G	HS	HS	G
HS	HS	G	G	HS	HS	G	G	HS	HS	G	G	HS	HS	G	G	HS	HS	G	G	HS	HS
G	G	HS	HS	G	G	HS	HS	G	G	HS	HS	HS	G	G	HS	HS	G	G	HS	HS	G
0	0	0	0	0	0	0	0	0	0	0		0	0	0	0	0	0	0	0	0	0
	01											11			15						25

HS	HIGH SPEED SIGNAL
LS	LOW SPEED SIGNAL
G	GROUND
0	EMPTY

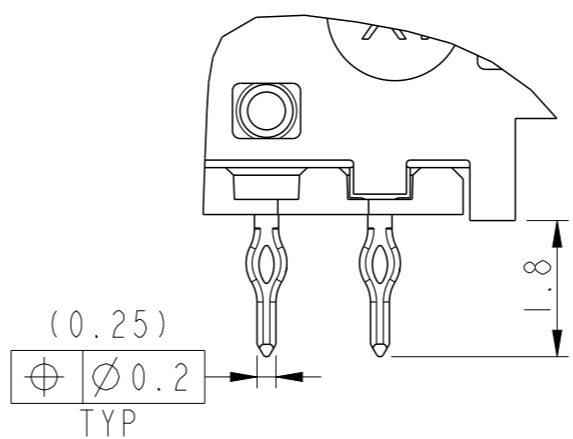
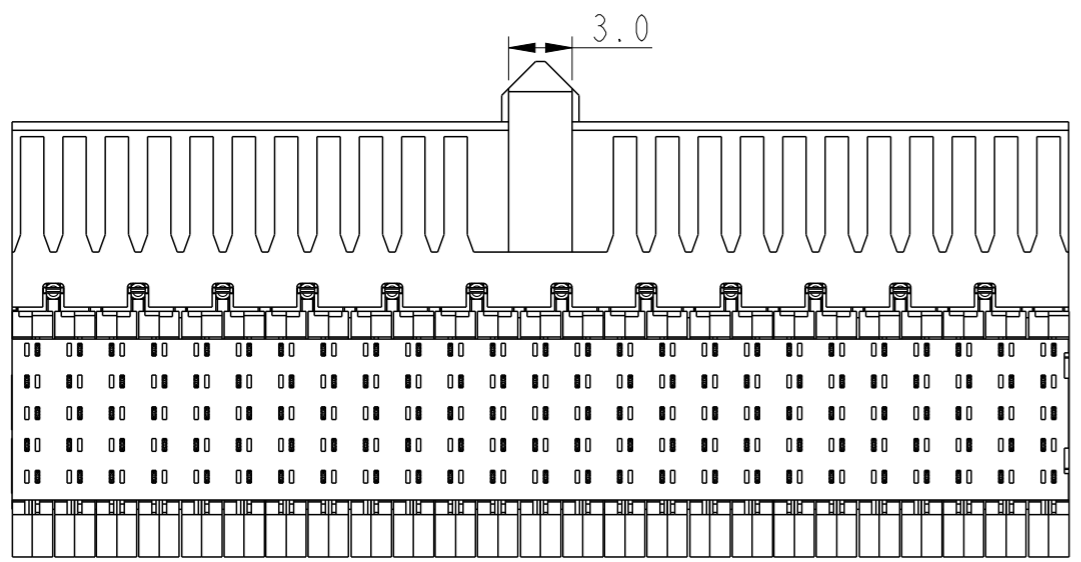
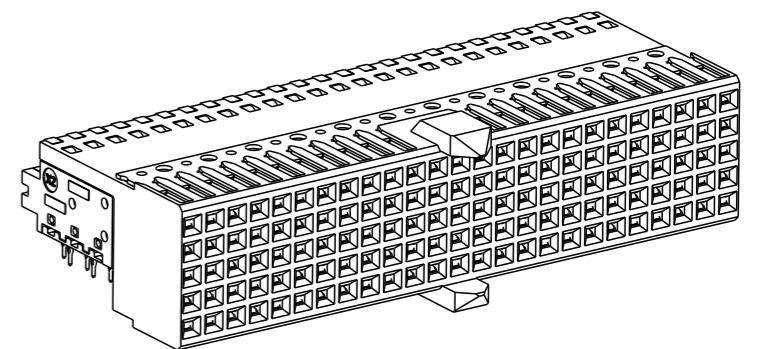
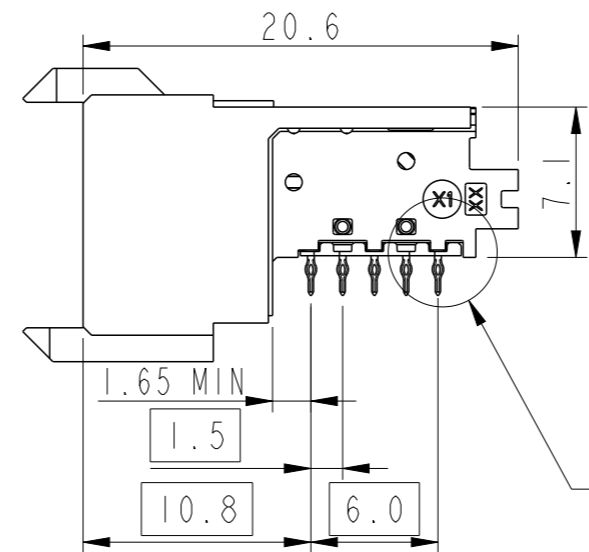


NOTE - 6

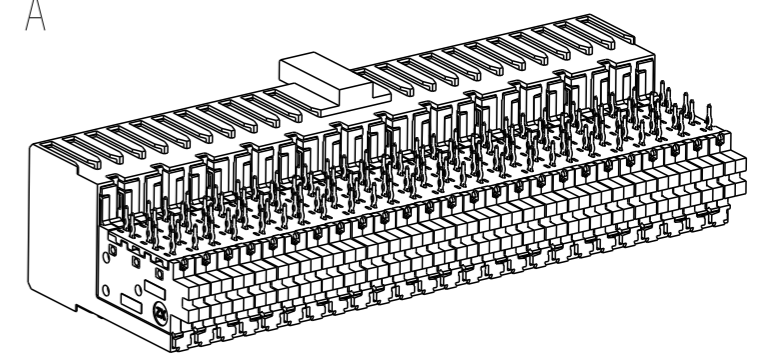
NOTE - 8



A
B
C
D
E



DETAIL A
SCALE 10:1



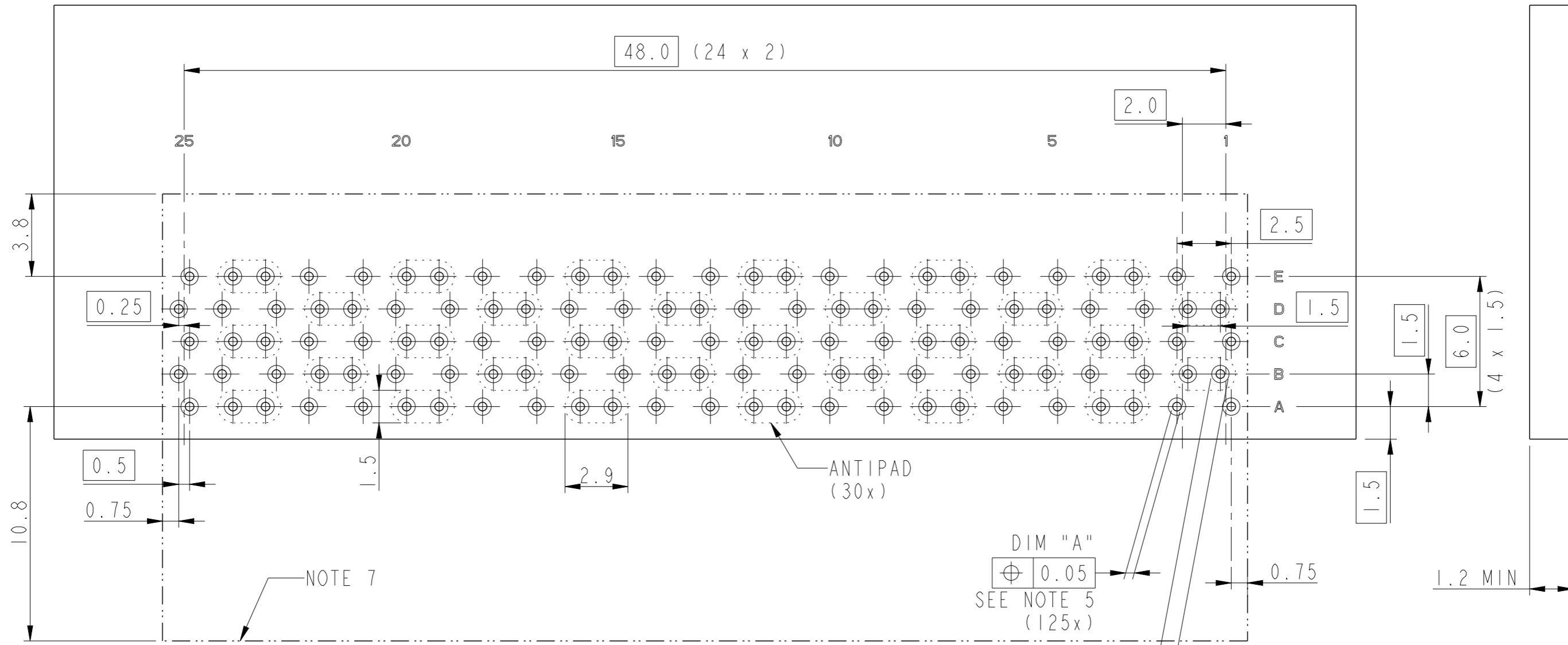
Amphenol FCI

© 2016 AFCI

spec ref	-	dr	Binesh C	2019/12/02	projection	MM	size	A3	scale	2:1
tolerance std	ISO 406 ISO 1101	eng	Binesh C	2019/12/02	product family	MILLIPACS	ecn no	-	rel level	Released
TOLERANCES UNLESS OTHERWISE SPECIFIED		chr	-							
surface	linear	appr	Kuriakose, San	2019/12/02	TYPE-AB RECEPTACLE ASSEMBLY		10152238		rev	
	angular				MILLIPACS HIGH SPEED NON-SHIELDED				A	
	0.X ±0.30 0.XX ±0.20 0.XXX ±0.15	cat. no.	10152238-10xLF		Product - Customer Drw		sheet 1 of 2			

PART NUMBER:

RECOMMENDED PCB LAYOUT FOR 10152238-10xLF



NOTES:

- Materials
 - Housing & Impls: LCP (UL94 V-0)
 - Leadframe: Copper alloy
- Finish
 - Contact area: Ni underlayer with Au or GXT top layer (Performance Level-2)
 - EON area: Ni underlayer with Sn top layer
- Mates with IEC 61076-4-101 series 2mm HM headers with contact mating level 1 & 2 in signal rows.
- Mounting style: Press-fit, flat rock insertion
- Refer the table for Recommended plated through hole dimensions.
- Groundbar positions indicated by "GBx".
- Connector spacing
- Ground bar support not required for Non GB version.

RECOMMENDED PLATED THROUGH HOLE DIMENSIONS

DIM	FINISHED HOLE DIA	Cu. THICKNESS	Sn THICKNESS	DRILLED HOLE DIA
A	0.35-0.45	0.02-0.05	0.0008-0.0012	0.45-0.49

spec ref	-	dr	Binesh C	2019/12/02	projection	MM	size	A3	scale	5:1	
tolerance std	ISO 406 ISO 1101	eng	Binesh C	2019/12/02		← →	ecn no	-	rel level	Released	
surface	linear	chr	-	apppr			Kuriakose, San	2019/12/02		product family	MILLIPACS
	angular	0°	±3°	Amphenol FCI		TYPE-AB RECEPTACLE ASSEMBLY		dwg no	10152238	rev	A
				cat. no.		10152238-10xLF	Product - Customer Drw		sheet 2 of 2		

Amphenol FCI

© 2016 AFCI