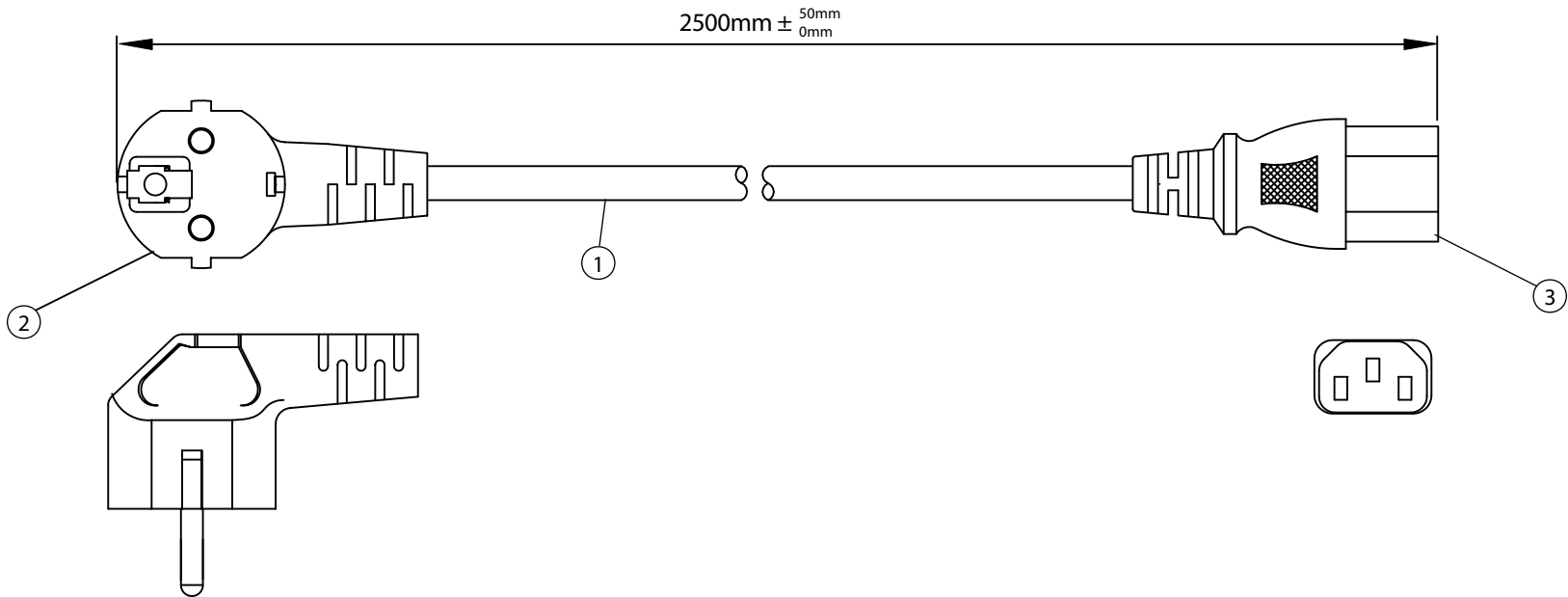


THESE DRAWINGS ARE THE PROPERTY OF QUALTEK ELECTRONICS AND NOT TO BE REPRODUCED FOR OR COMMUNICATED TO A THIRD PARTY WITHOUT THE EXPRESS WRITTEN PERMISSION OF AN OFFICER OF QUALTEK ELECTRONICS.

REVISION			
REV.	DESCRIPTION	DATE	APPROVED
B	RoHS Compliancy	06-01-06	DP
C	Added Length Tolerance	05-20-13	LY



**CONTROLLED**

NOTES:

1. CORDAGE: H05VV-F, 3x1.00mm<sup>2</sup>, UNSHIELDED, CEE COLOR CODE, TEMP. RATING: 70°C, RATING: 250V 10A, JACKET COLOR: BLACK
2. PLUG: CONTINENTAL EUROPEAN CEE 7/7 RIGHT ANGLED
3. CONNECTOR: IEC 60320 C13
4. APPROVALS: CB, SWEDEN, GERMANY, DENMARK, NORWAY, FINLAND, FRANCE, BELGIUM, NETHERLANDS, AUSTRIA  
ROHS COMPLIANT

Dim range (mm)		Tolerance +/- (mm)		Qualtek Electronics Corp. PPC DIVISION		
0-1		0.15		Part Number: 367003-D01		RoHS Compliant
1-6		0.20		Description: POWER CORD		
6-18		0.30		UNIT: mm		REV.C
18-50		0.50		Drawn / Date		Checked / Date
50-120		0.70		B. Zhang 12-05-03		Approved / Date
120-250		0.90		12-05-03		JJH / 12-05-03
250-500		1.20				