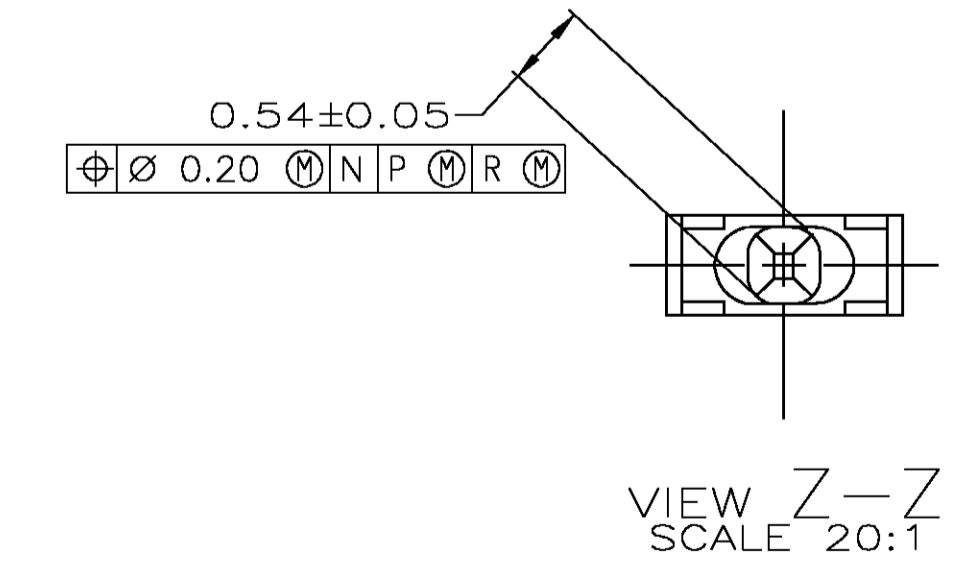
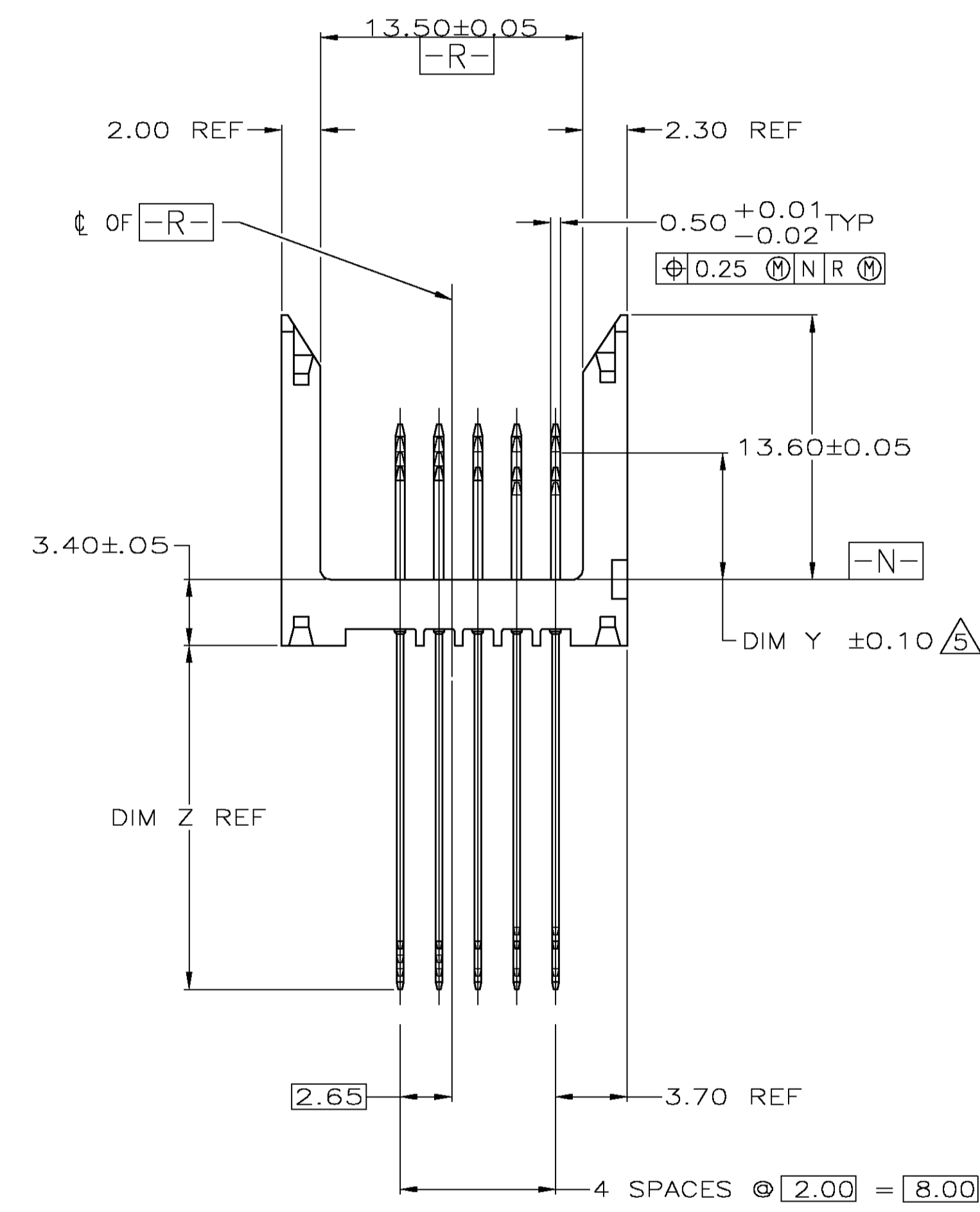
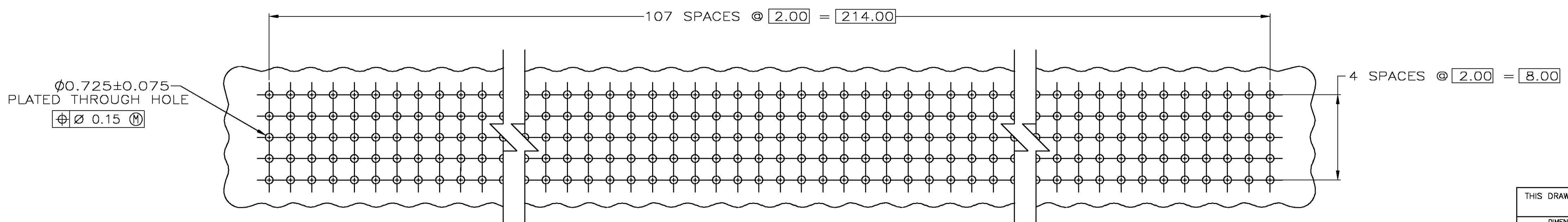


PART NUMBER 5223033-1 SHOWN



VIEW Z-Z
SCALE 20:1



RECOMMENDED CIRCUIT PATTERN
(COMPONENT SIDE)

- △ HOUSING MATERIAL: LIQUID CRYSTAL POLYMER, COLOR: NATURAL
- △ CONTACT MATERIAL: PHOSPHOR BRONZE.
- △ CONTACT FINISH:
 UNDERPLATE (ENTIRE CONTACT):
 0.00127 MIN NICKEL PER SAE-AMS-QQ-N-290
 ON MATING SURFACES:
 CONFORMS TO ALL TESTING SPECIFIED FOR TELCORDIA
 UNCONTROLLED ENVIRONMENT.
 ON LEADS:
 0.0006 MIN MATTE TIN PER ASTM B 545 OVER UNDERPLATE.
 LUBRICATION (MIN MATING SURFACES):
 SURFACE CONDITIONER AFTER PLATING.
- △ PART MARKING LOCATED APPROXIMATELY AS SHOWN.
- △ DIMENSION APPLIES WHEN SEATED ON PRINTED CIRCUIT BOARD.
- △ SEE RESTRICTED CUSTOMER DRAWING.

SUPERSEDED BY 1705986-4	SEE SHEET 2	5223033-4
SUPERSEDED BY 1705986-1	SEE SHEET 2	5223033-1
	CONTACT LOAD PATTERN	PART NUMBER

THIS DRAWING IS A CONTROLLED DOCUMENT.		DIN B MCMMASTER 22NOV04	Tyco Electronics Corporation Harrisburg, Pa 17105-3608
DIMENSIONS: mm		22NOV04	
TOLERANCES UNLESS OTHERWISE SPECIFIED:		APVD R WERTZ 22NOV04	NAME PIN ASSEMBLY, Z-PACK 2mm FB, SIGNAL, VERTICAL, 5 ROW, 540 POSITION, WITH PRESS FIT LEADS
0 PLC ± -		PRODUCT SPEC	
1 PLC ± -		APPLICATION SPEC	SIZE CAGE CODE DRAWING NO
2 PLC ± 0.13		WEIGHT	A1 00779 C=5223033
3 PLC ± -		CUSTOMER DRAWING	SCALE 4:1 SHEET 1 OF 2 REV A
4 PLC ± -			
ANGLES ± -			
FINISH			

