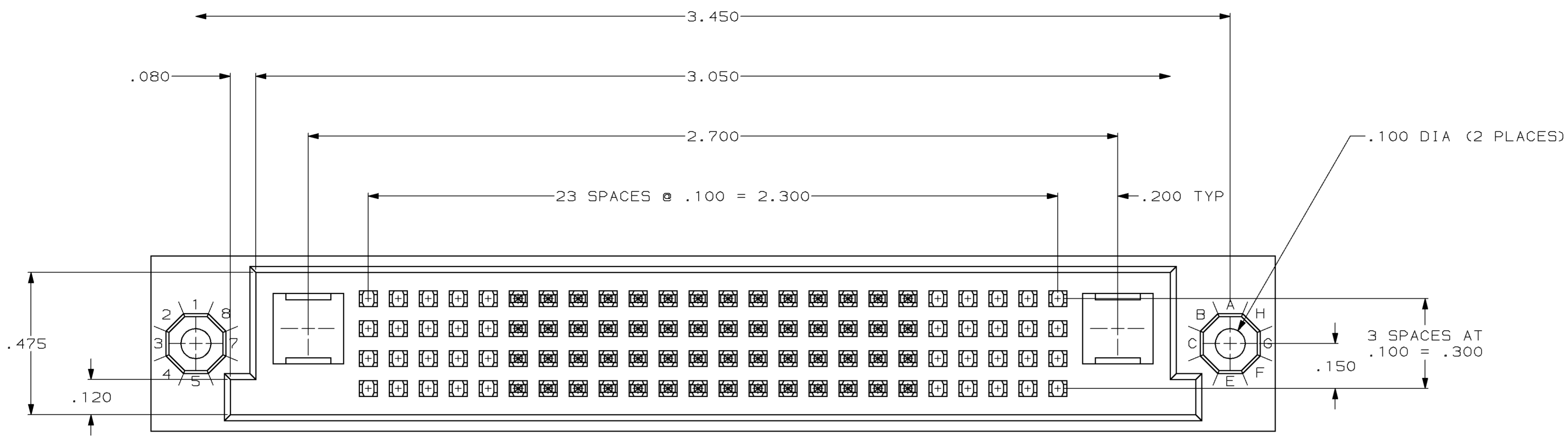
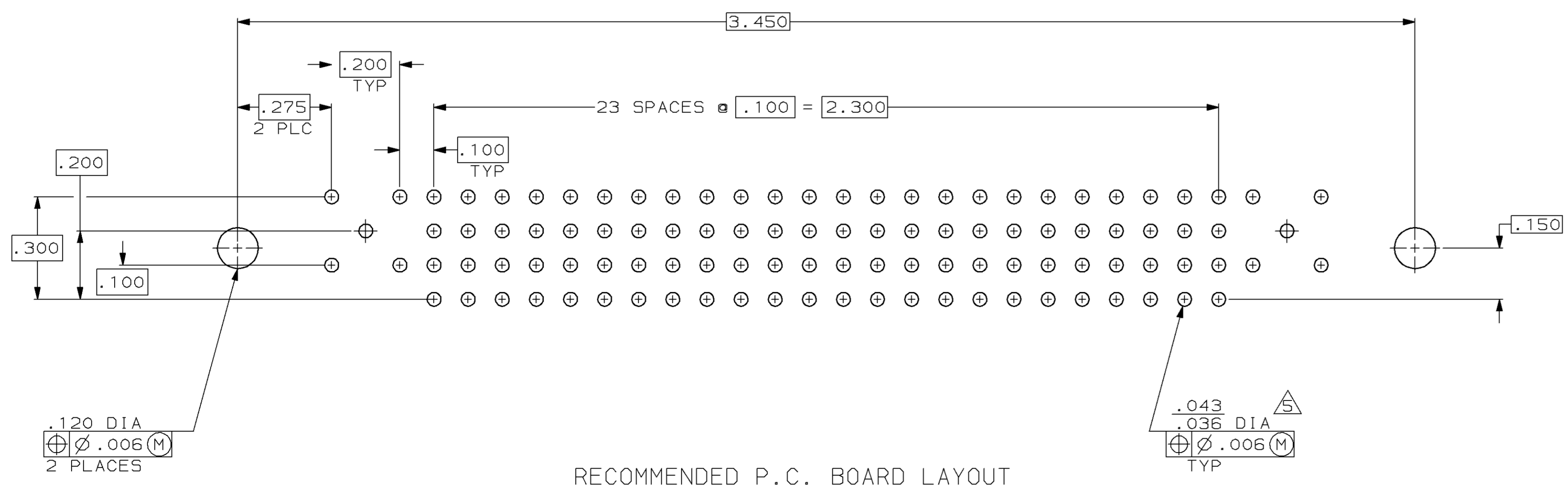
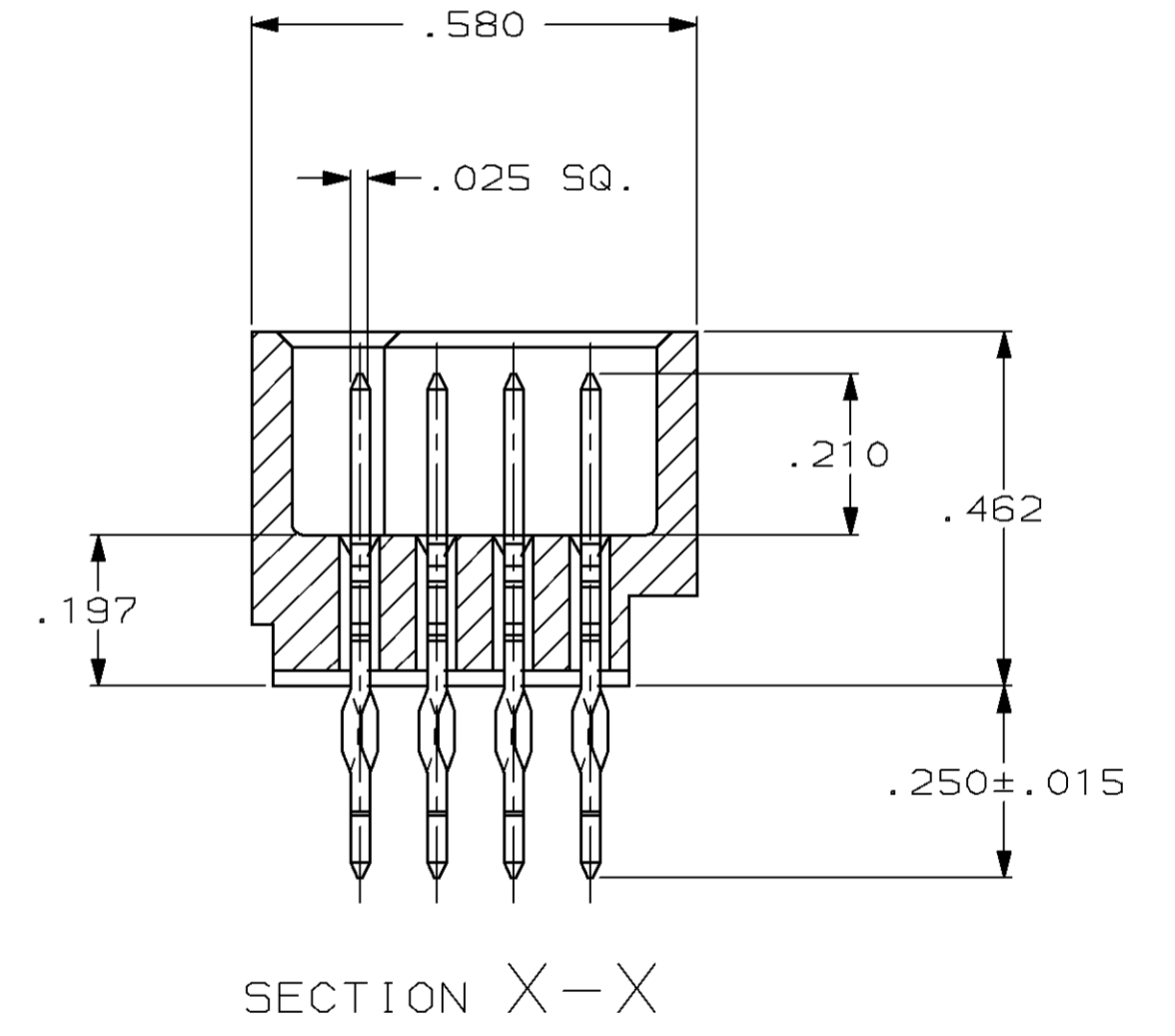
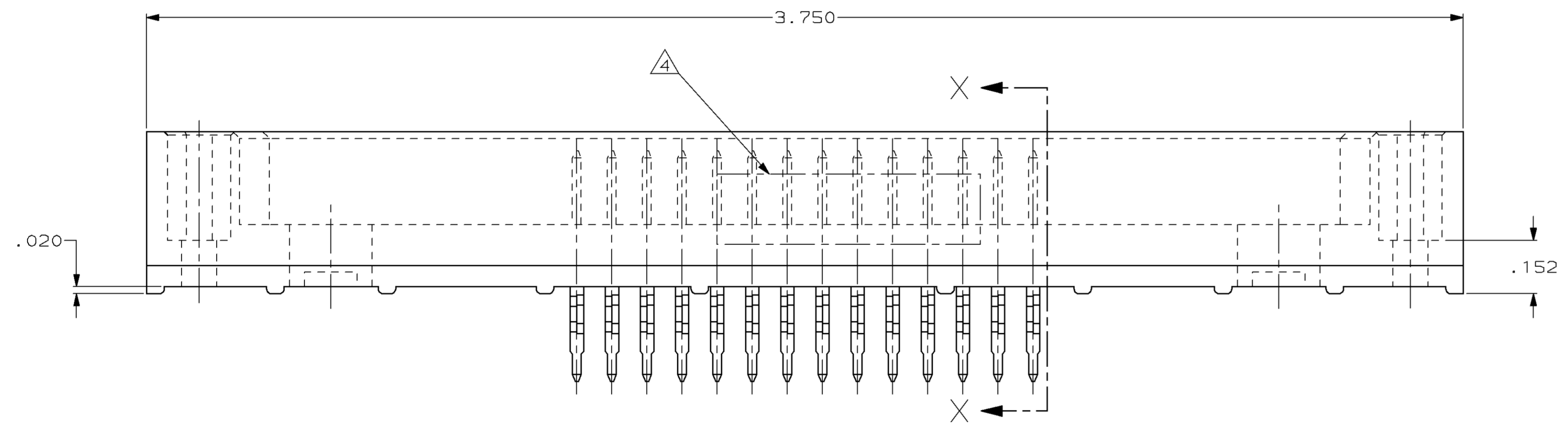


		REVISIONS				LOC	DIST
P	F	ZONE	LTR	DESCRIPTION	DATE	AD	25
				DRAWN PER PPR. 91-5412-010	02/17/92	TH	
		A		PER EC 0010-1248-95	T.S. 10-31-95	GS	



- △ HOUSING MATERIAL: THERMOPLASTIC, COLOR-NATURAL (BROWN).
- △ CONTACT MATERIAL: COPPER ALLOY.
- △ CONTACT FINISH: .000030 GOLD IN CONTACT AREA, OVER .000050/.000100 NICKEL UNDERPLATE. TIN-LEAD PLATED POSTS.
- △ 'AMP', PART NO. & DATE CODE MARKED IN THIS APPROX AREA.
- △ DRILL SIZE .0453±.0010 DIA. PLATED THRU HOLE, WITH .0010/.00030 COPPER, WITH .00030 TIN-LEAD. FINISHED HOLE AFTER PLATING .037/.043 AND AFTER REFLOW .036/.043.



UNLESS OTHERWISE SPECIFIED DIMENSIONS ARE IN INCHES MM		CONTRACT NO		AS SHOWN		650801-1	
TOLERANCES ON:		DR 2/17/92		DESCRIPTION		PART NO	
DECIMALS ±.005		T.HOFFMAN		AMP AMP INCORPORATED Harrisburg, Pa.		NAME H.D.I. SERIES 100 PIN ASSEMBLY, 4 ROW 96 POSITION, SELECT LOADED 57 SIG., 2 COAX PORTS	
ANGLES ±		CHK 02/19/92					
		J.D.WEARY					
MATERIAL		APPD 02/19/92		SIZE		FSCM NO	
		J.D.WEARY		D		00779	
FINISH		APPD 02/19/92		DRAWING NO		650801	
		J.D.WEARY		SCALE		4:1	
		OTHER APPD		SHEET		1 OF 1	