

4

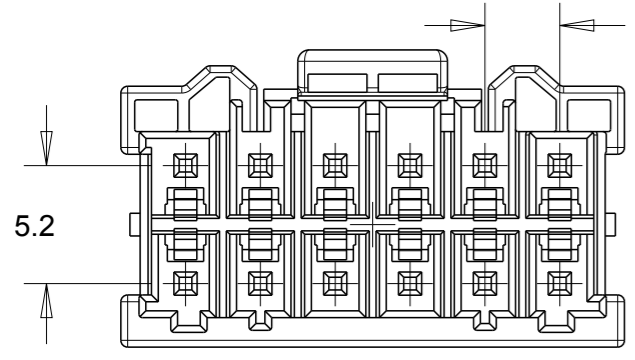
3

2

1

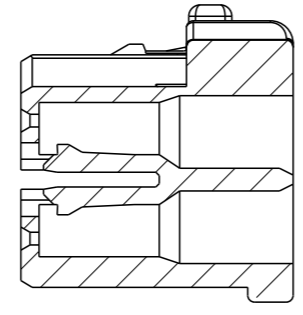
THIS DRAWING IS UNPUBLISHED. RELEASED FOR PUBLICATION 20  
 © COPYRIGHT 20 BY - ALL RIGHTS RESERVED.

LOC	DIST	REVISIONS					
		P	LTR	DESCRIPTION	DATE	DWN	APVD
-	-	C1		ECR-15-006845	04MAY2015	A.Q	D.Z

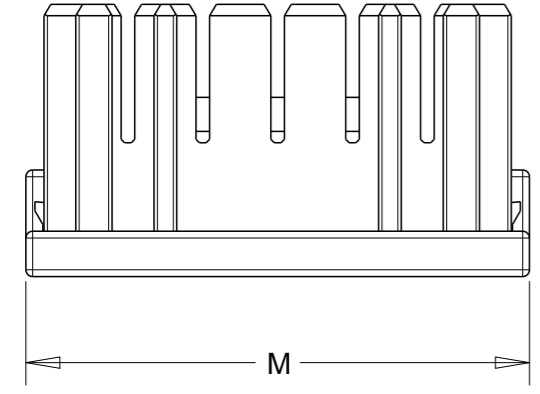


PITCH 3.3

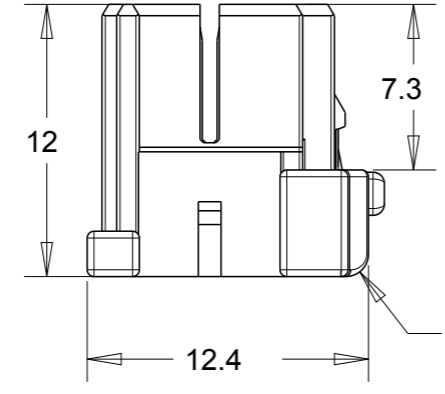
5.2



SECTION A-A



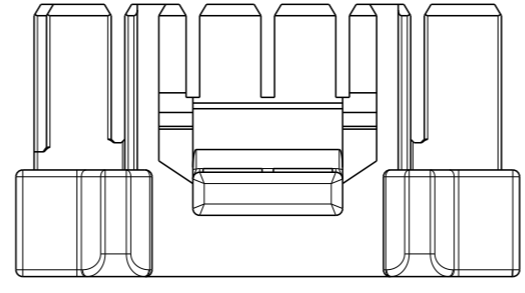
M



7.3

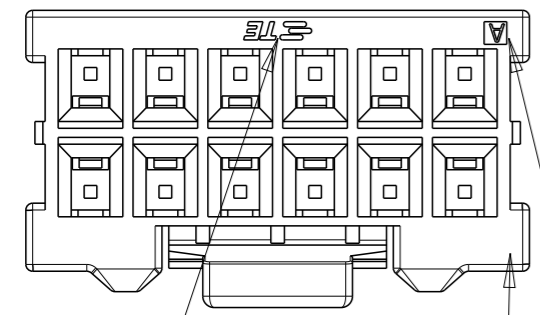
12.4

R1



NOTES:

- 1 MATERIAL: PA 66 GLASS FILLED UL94 V-0
- 2 MATING HEADER ASSEMBLY SEE TABLE
- 3. MATING REC CONTACT 1983780-1



TRADE MARK

CIRCUIT NO.

CAVITY MARK

THIS DRAWING IS A CONTROLLED DOCUMENT.		DWN HJ.Z 08NOV2013
DIMENSIONS: mm		CHK TIM.D 08NOV2013
TOLERANCES UNLESS OTHERWISE SPECIFIED:		APVD YH.MAO 08NOV2013
0 PLC	±-	PRODUCT SPEC 108-106094
1 PLC	±0.5	APPLICATION SPEC 114-106094
2 PLC	±0.13	WEIGHT -
3 PLC	±-	
4 PLC	±-	
ANGLES	±	
MATERIAL	FINISH	
1	-	

2

MATING CONN P/N	COLOR	KEYING	M	POS	P/N
4-1971906-7	YELLOW	D	25.5	14	4-1971905-7
3-1971906-7	RED	C			3-1971905-7
2-1971906-7 6-1971906-7	BLUE	B			2-1971905-7
1-1971906-7 5-1971906-7	NATURAL	A	22.2	12	1-1971905-7
4-1971906-6	YELLOW	D			4-1971905-6
3-1971906-6	RED	C			3-1971905-6
2-1971906-6	BLUE	B	18.9	10	2-1971905-6
1-1971906-6	NATURAL	A			1-1971905-6
4-1971906-5	YELLOW	D			4-1971905-5
3-1971906-5	RED	C	15.6	8	3-1971905-5
2-1971906-5	BLUE	B			2-1971905-5
1-1971906-5	NATURAL	A			1-1971905-5
4-1971906-4	YELLOW	D	12.3	6	4-1971905-4
3-1971906-4	RED	C			3-1971905-4
2-1971906-4	BLUE	B			2-1971905-4
1-1971906-4	NATURAL	A	9	4	1-1971905-4
4-1971906-3	YELLOW	D			4-1971905-3
3-1971906-3	RED	C			3-1971905-3
2-1971906-3	BLUE	B	9	4	2-1971905-3
1-1971906-3	NATURAL	A			1-1971905-3
4-1971906-2	YELLOW	D			4-1971905-2
3-1971906-2	RED	C	9	4	3-1971905-2
2-1971906-2	BLUE	B			2-1971905-2
1-1971906-2	NATURAL	A			1-1971905-2

**STE** TE Connectivity

NAME  
**NEXT GENERATION G13.3 PLUG HOUSING 2ROW**

SIZE <b>A3</b>	CAGE CODE 00779	DRAWING NO C-1971905	RESTRICTED TO -
-------------------	--------------------	-------------------------	--------------------

SCALE - SHEET 1 OF 3 REV C1

THIS DRAWING IS UNPUBLISHED.

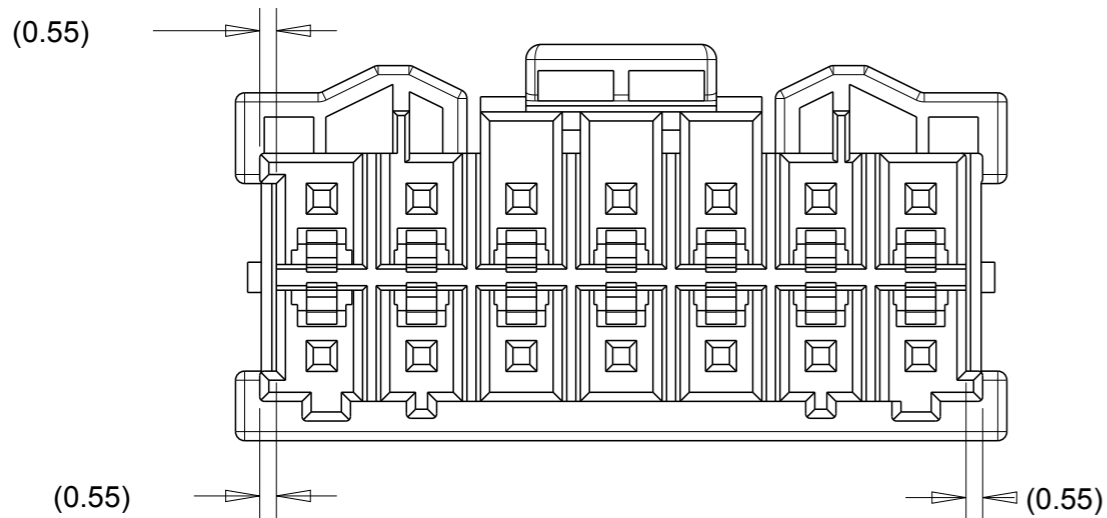
RELEASED FOR PUBLICATION

20

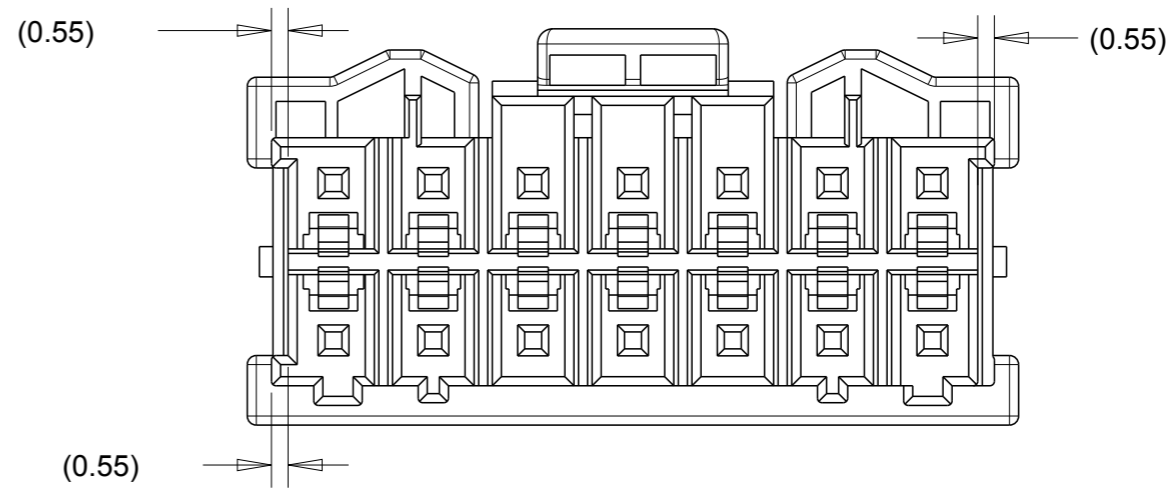
© COPYRIGHT 20 BY - ALL RIGHTS RESERVED.

LOC	DIST	REVISIONS					
		P	LTR	DESCRIPTION	DATE	DWN	APVD
-	-	-	-	SEE SHEET 1	-	-	-

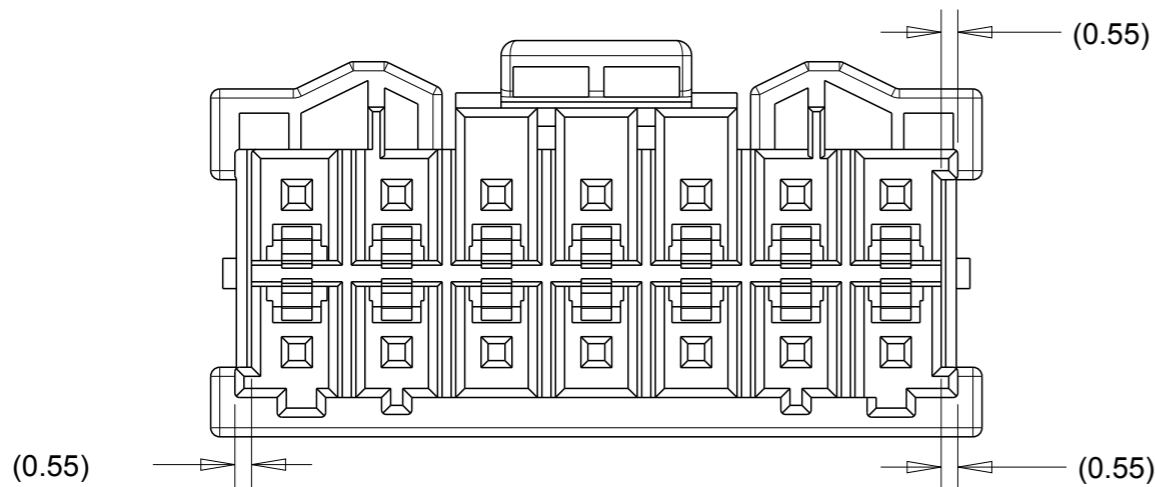
KEYING FEATURE SHOWN BY \*-1971905-7



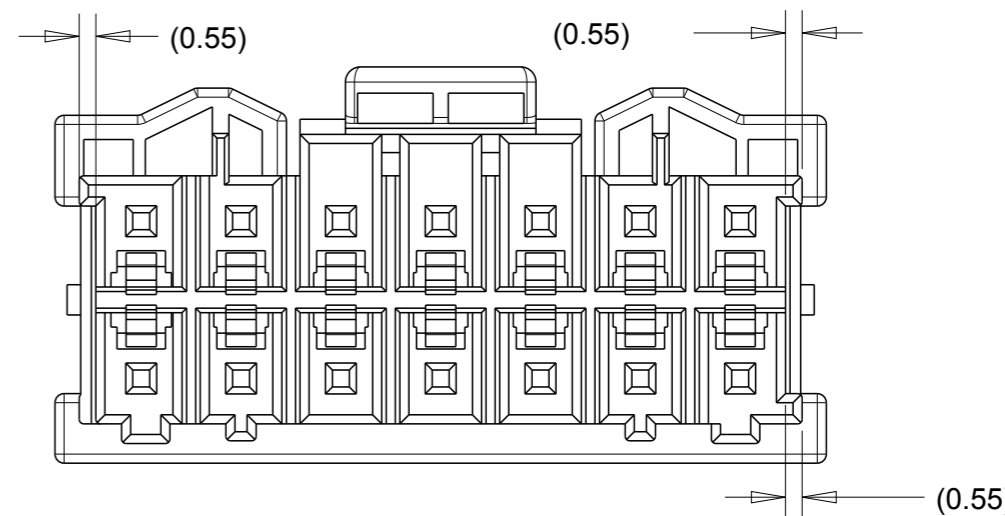
KEYING A




KEYING B



KEYING C



KEYING D

THIS DRAWING IS A CONTROLLED DOCUMENT.		DWN HJ.Z	08NOV2013		TE Connectivity		
DIMENSIONS: mm		CHK TIM.D	08NOV2013		NAME NEXT GENERATION G13.3 PLUG HOUSING 2ROW		
TOLERANCES UNLESS OTHERWISE SPECIFIED:		APVD YH.MAO	08NOV2013	PRODUCT SPEC 108-106094			
<ul style="list-style-type: none"> <li>0 PLC ±-</li> <li>1 PLC ±0.5</li> <li>2 PLC ±0.13</li> <li>3 PLC ±</li> <li>4 PLC ±</li> <li>ANGLES ± ±-</li> </ul>		APPLICATION SPEC 114-106094		SIZE <b>A3</b>	CAGE CODE 00779	DRAWING NO C-1971905	
MATERIAL -		FINISH -		WEIGHT -		RESTRICTED TO -	
Customer Drawing				SCALE -	SHEET 2	OF 3	REV C1

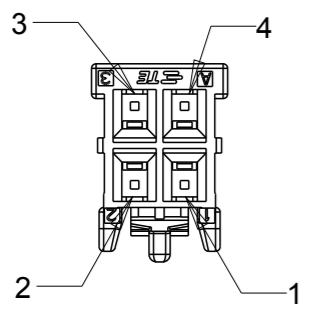
THIS DRAWING IS UNPUBLISHED.      RELEASED FOR PUBLICATION      20

© COPYRIGHT 20 BY -      ALL RIGHTS RESERVED.

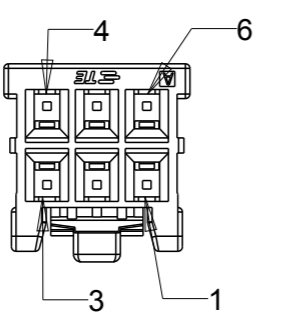
LOC	DIST	REVISIONS					
		P	LTR	DESCRIPTION	DATE	DWN	APVD
-	-	-	-	SEE SHEET 1	-	-	-

CIRCUIT NUMBER SHOWN FOR ALL P/N

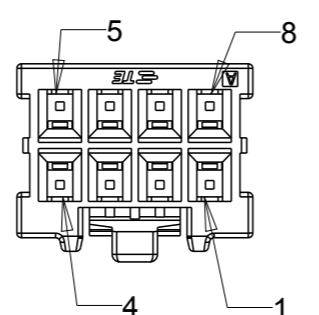
1-1971905-2 SHOWN



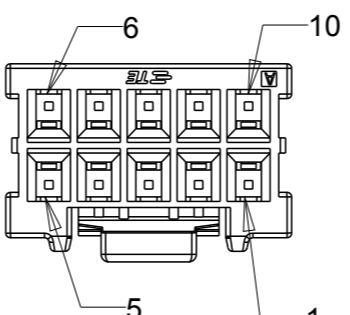
1-1971905-3 SHOWN



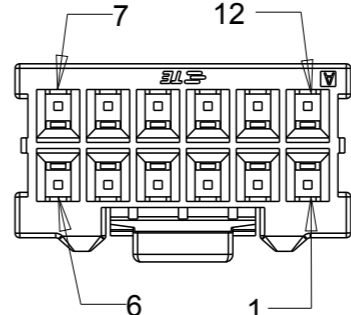
1-1971905-4 SHOWN



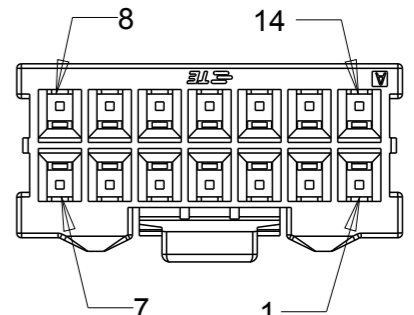
1-1971905-5 SHOWN



1-1971905-6 SHOWN



1-1971905-7 SHOWN



THIS DRAWING IS A CONTROLLED DOCUMENT.		DWN <b>ANNIE QIAN</b> 04MAY2015				
		CHK <b>ANNIE QIAN</b> 04MAY2015				
DIMENSIONS: mm  	TOLERANCES UNLESS OTHERWISE SPECIFIED: 0 PLC ±- 1 PLC ±0.5 2 PLC ±0.13 3 PLC ±- 4 PLC ±- ANGLES ±-	APVD <b>DANIEL ZHANG</b> 04MAY2015	NAME <b>NEXT GENERATION G13.3 PLUG HOUSING 2ROW</b>			
		MATERIAL -	FINISH -	PRODUCT SPEC <b>108-106094</b>	SIZE <b>A3</b>	CAGE CODE -
		APPLICATION SPEC <b>114-106094</b>	SCALE -		SHEET <b>3</b> OF <b>3</b>	REV <b>C1</b>
		WEIGHT -	CUSTOMER DRAWING			