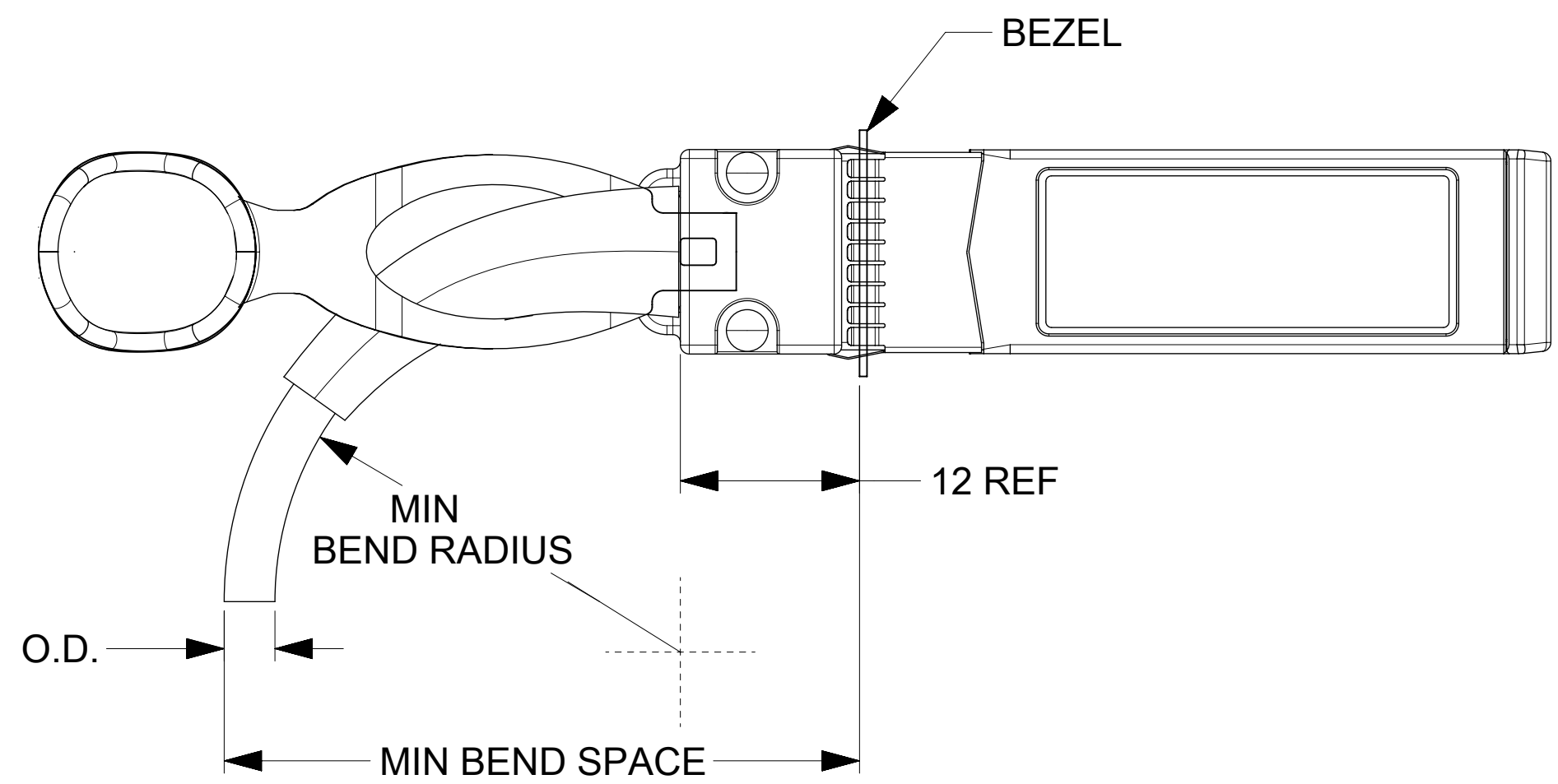


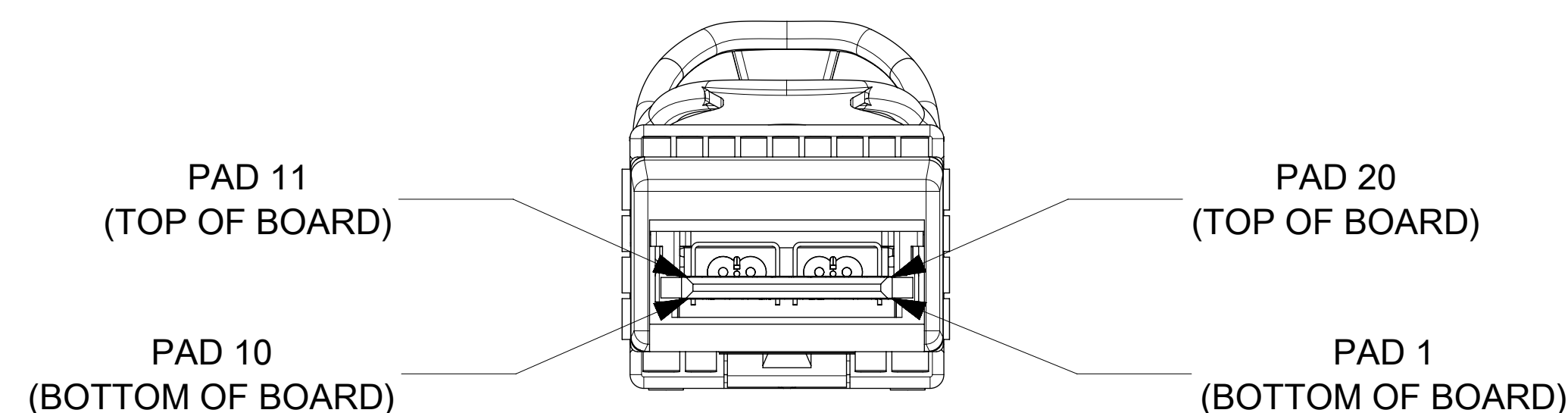
- NOTES:
- MATERIALS  
 BACKSHELLS - NICKEL PLATED ZINC  
 DE-LATCH - PLASTIC  
 PCB - FR4  
 RIVETS - STAINLESS STEEL
  - IMPEDANCE - 100 OHMS DIFFERENTIAL, PASSIVE
  - PULL TO RELEASE, PLUNGER STYLE LATCH
  - EACH ASSEMBLY HAS A SERIAL ID
  - RoHS COMPLIANT, NO EXEMPTIONS.

FUNCTIONAL SYMBOLS $F_A = 0$ $F_C = 0$ $F_P = 0$ DIVISIONAL SYMBOLS	THIS DRAWING CONTAINS INFORMATION THAT IS PROPRIETARY TO MOLEX ELECTRONIC TECHNOLOGIES, LLC AND SHOULD NOT BE USED WITHOUT WRITTEN PERMISSION IN SHEET 3		<b>molex</b>  ZSFP+ TO ZSFP+ 28G PASSIVE CABLE ASSEMBLY	
	DIMENSION UNITS	SCALE		
	mm	2.5:1	EC NO: 646922	
	GENERAL TOLERANCES (UNLESS SPECIFIED)		DRWN: ADITHK 2020/10/09	
ANGULAR TOL ± 2.0°		CHK'D: SKAMATHN 2020/10/09		
4 PLACES ±		APPR: KNAGANNA 2020/10/12		
3 PLACES ±		INITIAL REVISION:		
2 PLACES ± 0.13		DRWN: DRAMIREZ02 2016/10/21		
1 PLACE ± 0.25		APPR: ARAYBURN 2016/10/25		
0 PLACES ±		DRAWING SERIES		
DRAFT WHERE APPLICABLE MUST REMAIN WITHIN DIMENSIONS		THIRD ANGLE PROJECTION	D-SIZE 111145	MATERIAL NUMBER
				1111450001
				PSD 000 J
				DOCUMENT NUMBER DOC TYPE DOC PART REVISION
				1111450001 PSD 000 J
				MATERIAL NUMBER CUSTOMER SHEET NUMBER
				SEE P/N TABLE GENERAL MARKET 1 OF 3

DOCUMENT STATUS	P1	RELEASE DATE	2020/10/12	15:25:15
-----------------	----	--------------	------------	----------

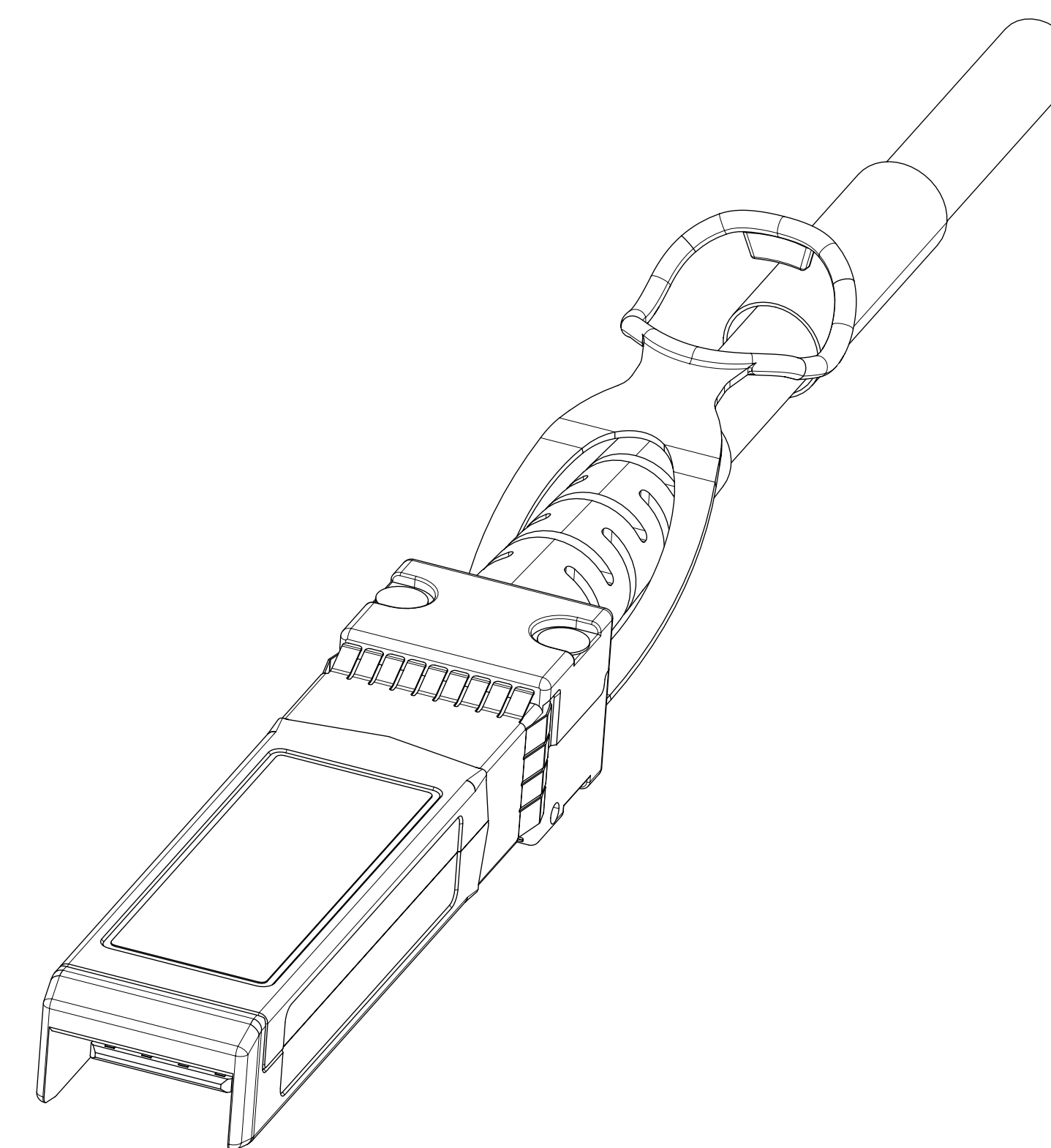


CABLE AWG	O.D.	MIN BEND RADIUS (mm)	MIN BEND SPACE (mm)
30	4.52	23	40
26	5.8	29	47



WIRING DIAGRAM					
P1 END			P2 END		
PAD	SIGNAL		PAD	SIGNAL	
12	RD-	<----	19	TD-	
13	RD+	<----	18	TD+	
18	TD+	---->	13	RD+	
19	TD-	---->	12	RD-	
02	Tx_Fault	NC	NC	02	Tx_Fault
03	Tx_Disable	NC	NC	03	Tx_Disable
04	SDA	□	□	04	SDA
05	SCL	□	□	05	SCL
06	Mod_ABS	NC	NC	06	Mod_ABS
07	RS0	NC	NC	07	RS0
08	Rx_LOS	NC	NC	08	Rx_LOS
09	RS1	NC	NC	09	RS1
15	VccR	NC	NC	15	VccR
16	VccT	NC	NC	16	VccT

LEGEND:  
 ----> = THRU LINES  
 NC = NOT CONNECTED  
 □ = CONNECTION TO A DEVICE ON THE PCB



FUNCTIONAL SYMBOLS FA = 0 FC = 0 FP = 0	THIS DRAWING CONTAINS INFORMATION THAT IS PROPRIETARY TO MOLEX ELECTRONIC TECHNOLOGIES, LLC AND SHOULD NOT BE USED WITHOUT WRITTEN PERMISSION IN SHEET 3		SCALE 4:1		CURRENT REV DESC: ADDED NEW PN TO PN TABLE IN SHEET 3	
	DIMENSION UNITS mm		GENERAL TOLERANCES (UNLESS SPECIFIED)		EC NO: 646922	
	ANGULAR TOL ± 2.0°		4 PLACES ±		DRWN: ADITHK 2020/10/09	
	3 PLACES ±		2 PLACES ± 0.13		CHK'D: SKAMATHN 2020/10/09	
DIVISIONAL SYMBOLS	1 PLACE ± 0.25		0 PLACES ±		APPR: KNAGANNA 2020/10/12	
	DRAFT WHERE APPLICABLE MUST REMAIN WITHIN DIMENSIONS		THIRD ANGLE PROJECTION		INITIAL REVISION: DRWN: DRAMIREZ02 2016/10/21 APPR: ARAYBURN 2016/10/25	
	DRAWING		SERIES		MATERIAL NUMBER	
D-SIZE		111145		SEE P/N TABLE		
GENERAL MARKET		CUSTOMER		SHEET NUMBER		
PSD 000 J		1111450001		2 OF 3		

## PART NUMBER TABLE

PART NUMBER	LENGTH	TOL.	AWG	WITH DUST COVER
1111451021*	0.25M	±0.03M	30	NO
1111451031*	0.3M	±0.03M	30	NO
1111451051	0.5M	±0.05M	30	NO
1111451081	0.8M	±0.05M	30	NO
1111451082	0.85M	+0.05 M -0.02 M	30	NO
1111451101	1.0M	±0.05M	30	NO
1111451151	1.5M	±0.05M	30	NO
1111451201	2.0M	±0.05M	30	NO
1111451251	2.5M	±0.05M	30	NO
1111451301	3.0M	±0.05M	30	NO
1111451401	4.0M	±0.05M	30	NO
1111453201	2.0M	±0.05M	26	NO
1111453301	3.0M	±0.05M	26	NO
1111453351	3.5M	±0.05M	26	NO
1111453401	4.0M	±0.05M	26	NO
1111453451	4.5M	±0.05M	26	NO
1111453501	5.0M	±0.08M	26	NO
1111451103	1.0M	±0.05M	30	YES
1111451153	1.5M	±0.05M	30	YES
1111451203	2.0M	±0.05M	30	YES
1111451253	2.5M	±0.05M	30	YES

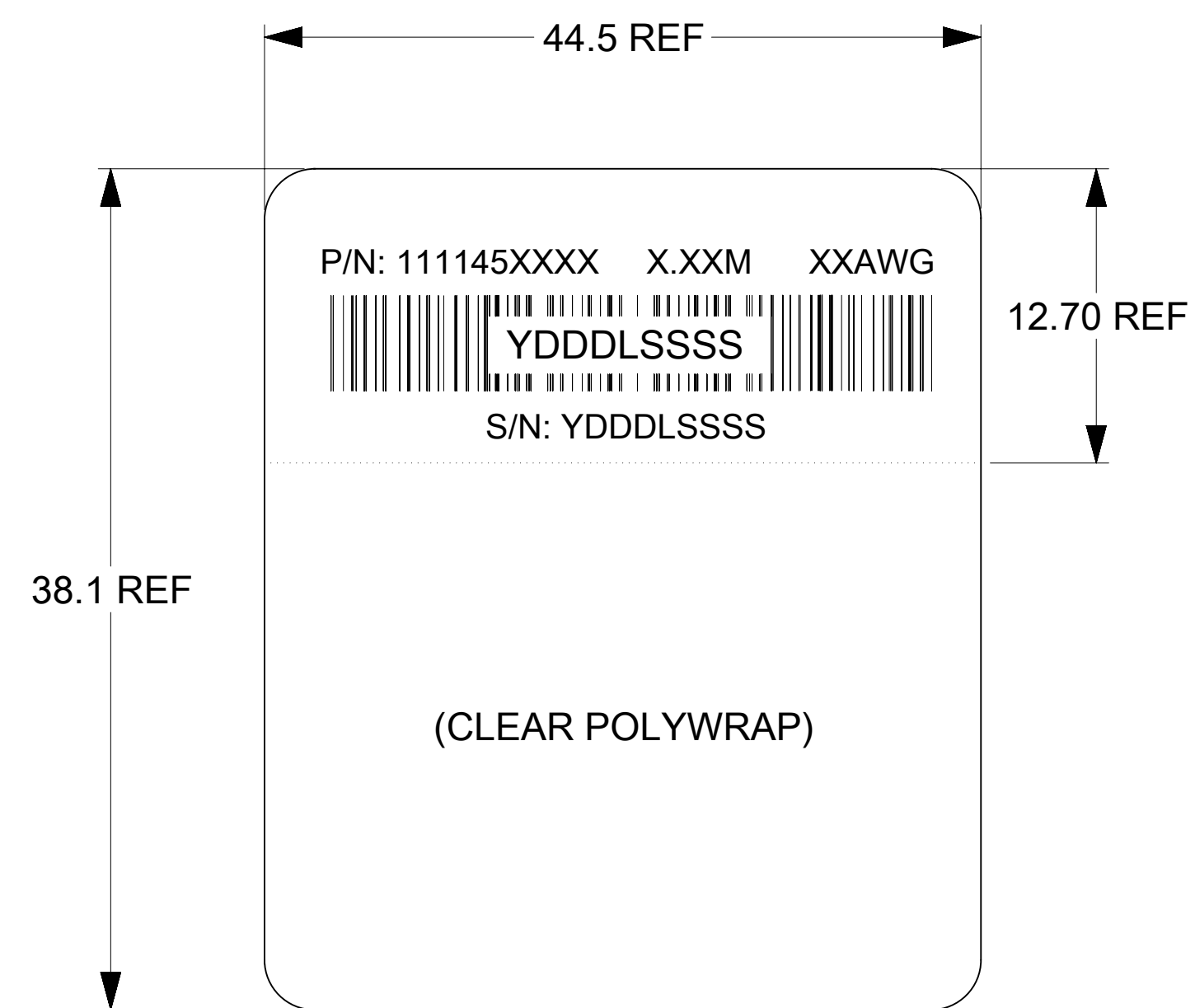
**NOTES:**

CUSTOM CABLE LENGTH AND GAUGE AVAILABLE UPON REQUEST

\*CABLE LENGTHS 1M OR LESS THAN 1M DO NOT MEET IEEE 802.3by RETURN LOSS LIMITS

30 AWG CABLES LONGER THAN 3m, CABLES FAIL 802.3by SPEC FOR MAXIMUM INSERTION LOSS AND COM

## CABLE ID LABEL



P/N: 111145XXXX - MOLEX PART NUMBER (SEE P/N TABLE)

X.XXM - CABLE LENGTH IN METERS (EXAMPLES - 0.5M, 1.0M, 1.5M, SEE P/N TABLE)

XXAWG - CABLE SIZE IN AWG (SEE P/N TABLE)

S/N: YDDLSSSS - SERIAL NUMBER

Y = YEAR, THE LAST DIGIT OF YEAR

DDD = DAY OF THE YEAR

L = LOCATION

1 - USA

2 - MEXICO

3 - CHINA

4 - PHILIPPINES

SSSS = SERIAL NUMBER (0001-9999)

FUNCTIONAL SYMBOLS $\nabla_A = 0$ $\nabla_C = 0$ $\nabla_P = 0$	THIS DRAWING CONTAINS INFORMATION THAT IS PROPRIETARY TO MOLEX ELECTRONIC TECHNOLOGIES, LLC AND SHOULD NOT BE USED WITHOUT WRITTEN PERMISSION IN SHEET 3		<b>molex</b>		
	DIMENSION UNITS <b>mm</b>	SCALE <b>1:1</b>	ZSFP+ TO ZSFP+ 28G PASSIVE CABLE ASSEMBLY		
	GENERAL TOLERANCES (UNLESS SPECIFIED)		PRODUCT CUSTOMER DRAWING		
	ANGULAR TOL ± 2.0°		DOCUMENT NUMBER    DOC TYPE    DOC PART    REVISION		
DIVISIONAL SYMBOLS 4 PLACES ± 3 PLACES ± 2 PLACES ± 0.13 1 PLACE ± 0.25 0 PLACES ±	EC NO: 646922		1111450001    PSD    000    J		
	DRWN: ADITHK    2020/10/09				
	CHK'D: SKAMATHN    2020/10/09		MATERIAL NUMBER    CUSTOMER    SHEET NUMBER SEE P/N TABLE    GENERAL MARKET    3 OF 3		
	APPR: KNAGANNA    2020/10/12				
INITIAL REVISION:					
DRWN: DRAMIREZ02    2016/10/21					
APPR: ARAYBURN    2016/10/25					
DRAFT WHERE APPLICABLE MUST REMAIN WITHIN DIMENSIONS		THIRD ANGLE PROJECTION	DRAWING <b>D-SIZE</b>	SERIES <b>111145</b>	