

MATERIALS AND FINISHES

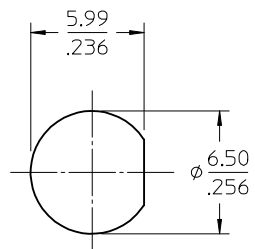
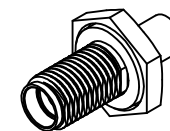
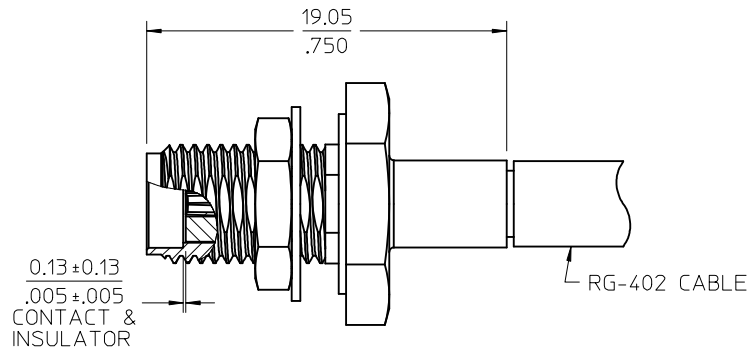
BODY, JAM NUT: BRASS
PLATED GOLD

CENTER CONTACT: BERYLLIUM COPPER
PLATED GOLD

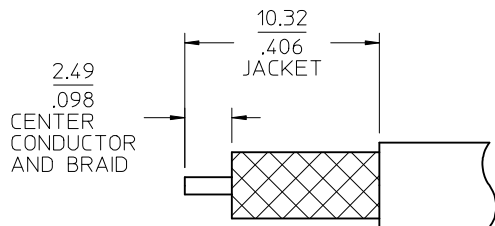
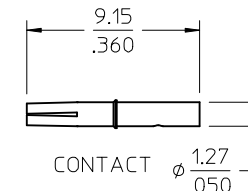
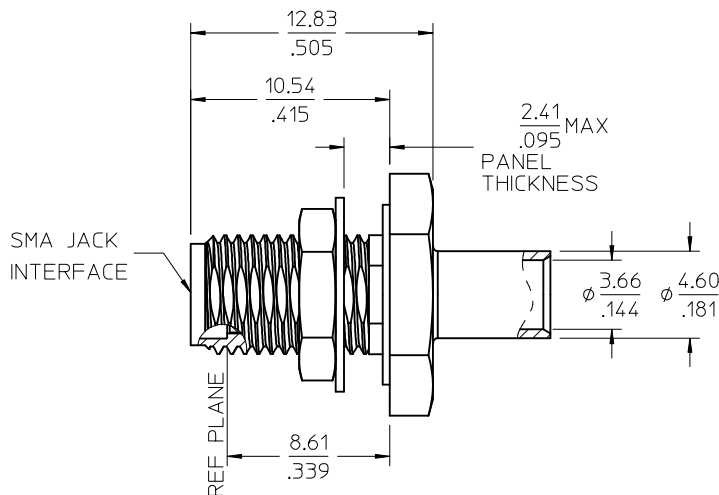
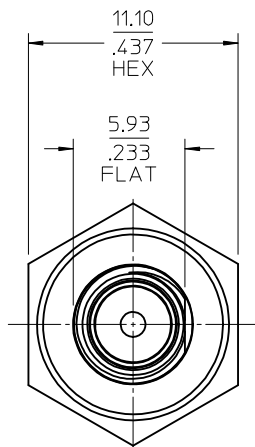
INSULATOR: TEFLON

LOCKWASHER PHOSPHOR BRONZE
PLATED GOLD

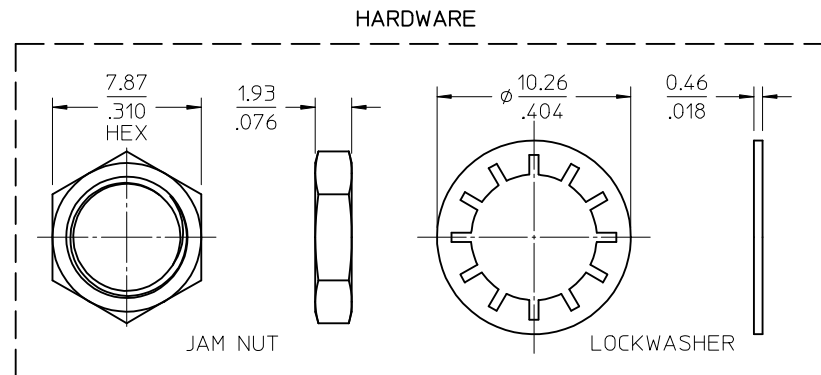
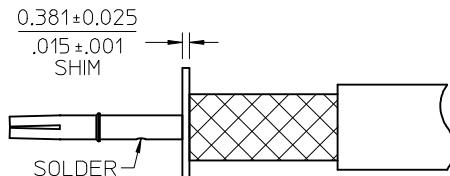
GASKET SILICONE RUBBER



RECOMMENDED MOUNTING HOLE



RECOMMENDED CABLE STRIP DIMENSION



| | | | |
|------------|--------------|-----------------|-------------|
| 73251-0833 | GOLD FLASH | INCLUDED | TRAY |
| 73251-0832 | GOLD | INCLUDED | ONE PER BAG |
| 73251-0831 | GOLD | NOT INCLUDED | TRAY |
| 73251-0830 | GOLD | INCLUDED | TRAY |
| PART NO. | BODY/JAM NUT | HARDWARE/GASKET | PACKAGING |

| | | |
|---------------------------------------------------------------------------------------------------------------------------------------------------|-----------------|-----|
| CHG:ADDED -0833 PER PDR:1512112 IEC NO: URF2016-0419 DR:WNYEH CHKD: APPR:YCHENG 2015/12/01 2015/12/04 DESCRIPTION REV: | QUALITY SYMBOLS | ▽=0 |
| | ▽=0 | |
| | ▽=0 | |
| | ▽=0 | |

| | |
|------------------------------------------------------|------|
| GENERAL TOLERANCES (UNLESS SPECIFIED) | |
| mm | INCH |
| 4 PLACES ± | ± |
| 3 PLACES ± | ± |
| 2 PLACES ± | ± |
| 1 PLACE ± | ± |
| 0 PLACE ± | ± |
| ANGULAR ± 2 ° | |
| DRAFT WHERE APPLICABLE MUST REMAIN WITHIN DIMENSIONS | |

| | |
|-----------------|------------|
| DIMENSION STYLE | |
| MM/IN | |
| DRAWN BY | DATE |
| TEF | 2002/03/07 |
| CHECKED BY | DATE |
| SSS | 2002/03/07 |
| APPROVED BY | DATE |
| GMH | 2002/03/07 |
| MATERIAL NO. | |
| SEE TABLE | |
| SIZE | C |

| | | |
|-------------------------------------------------------------------------------------------------------------------------------|--------------|------------------------|
| SCALE | DESIGN UNITS | THIRD ANGLE PROJECTION |
| 5:1 | METRIC | |
| TITLE | | |
| SMA JACK, BULKHEAD FOR RG402 CABLE, EWR-3363 SMA-JC | | |
| molex | | |
| DOCUMENT NO. | SHEET NO. | |
| SD-73251-083 | 1 OF 1 | |
| THIS DRAWING CONTAINS INFORMATION THAT IS PROPRIETARY TO MOLEX INCORPORATED AND SHOULD NOT BE USED WITHOUT WRITTEN PERMISSION | | |