

C57401 C57401A C57402 C57402A

57401 57401A 57402 57402A

Military Standard FIFOs 64x4 64x5
Cascadable & Standalone Memory



DISTINCTIVE CHARACTERISTICS

- Choice of 7 or 10 MHz shift-out/shift-in rates
- Choice of standalone or cascadable devices
- Choice of 4-bit or 5-bit data width
- TTL Inputs and outputs
- Cascadable devices readily expandable in the word and bit dimension
- Standalone devices expandable in the word dimension only
- Structured pinouts. Output pins directly opposite corresponding inputs pins
- Asynchronous operation
- Dose rate (transient upset) junction-isolated bipolar process 2×10^{10} RADs (Si)/s recovery time of 50 to 70 μ s from a 1 μ s pulse
- Neutron fluence (permanent damage): 1×10^{13} N/cm²

GENERAL DESCRIPTION

The C/57401/1A and C57402/2A are "fall through" high-speed First-In First-Out (FIFO) memories organized 64 words by 4 bits and 64 words by 5 bits respectively.

FIFO word width and depth are expandable on cascadable devices. Standalone devices are expandable in word width only.

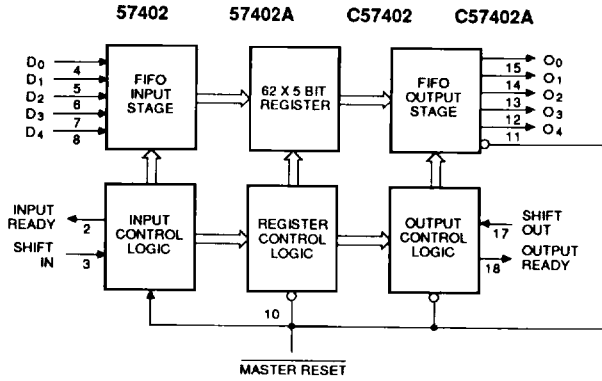
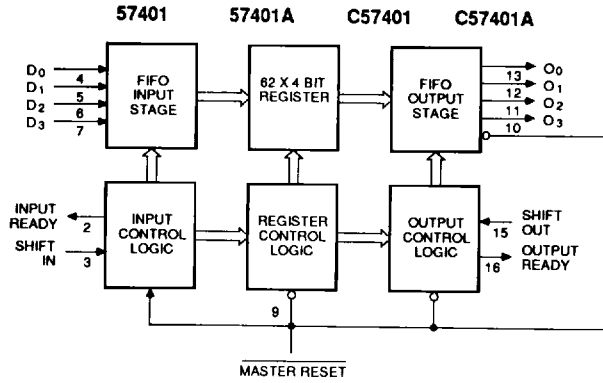
Ordering Information

PART NUMBER	PINS	PACKAGE	PACKAGE TYPE	MIL-M-38510 CASE OUTLINE	CASCADABLE/STANDALONE	DESCRIPTION
57401*	16	CD 016	Ceramic Dip	D-2	Standalone	7 MHz 64X4 FIFO
		CL 020	Leadless Chip Carrier	C-2	Standalone	
57401A*	16	CD 016	Ceramic Dip	D-2	Standalone	10 MHz 64X4 FIFO
		CL 020	Leadless Chip Carrier	C-2	Standalone	
57402	18	CD 018	Ceramic Dip	D-6	Standalone	7 MHz 64X5 FIFO
		CL 020	Leadless Chip Carrier	C-2	Standalone	
57402A	18	CD 018	Ceramic Dip	D-6	Standalone	10 MHz 64X5 FIFO
		CL 020	Leadless Chip Carrier	C-2	Standalone	
C57401*	16	CD 016	Ceramic Dip	D-2	Cascadable	7 MHz 64X4 FIFO
		CL 020	Leadless Chip Carrier	C-2	Cascadable	
C57401A*	16	CD 016	Ceramic Dip	D-6	Cascadable	10 MHz 64X4 FIFO
		CL 020	Leadless Chip Carrier	C-2	Cascadable	
C57402	18	CD 018	Ceramic Dip	D-6	Cascadable	7 MHz 64X5 FIFO
		CL 020	Leadless Chip Carrier	C-2	Cascadable	
C57402A	18	CD 018	Ceramic Dip	D-6	Cascadable	10 MHz 64X5 FIFO
		CL 020	Leadless Chip Carrier	C-2	Cascadable	

* Also available in Ceramic Flatpackage. Contact factory for detail.

505012

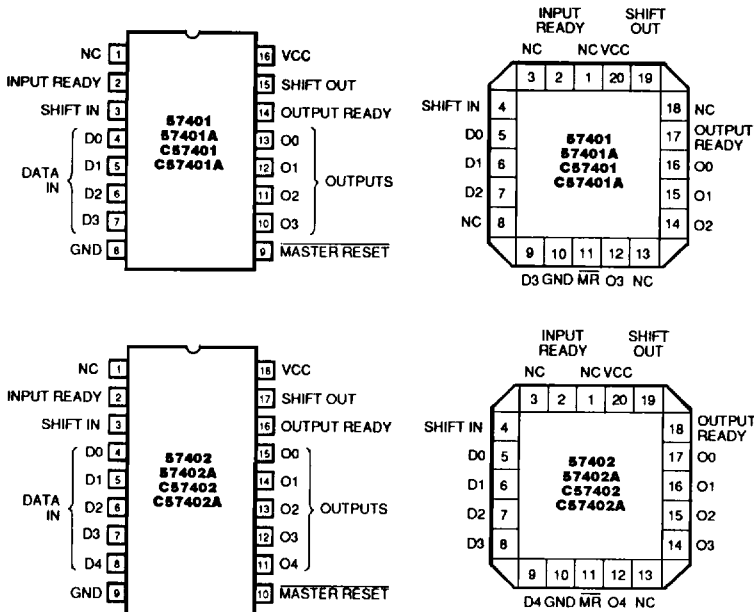
BLOCK DIAGRAMS DIP Pinout



505 127

2

CONNECTION DIAGRAMS



505 129

C57401/A C57402/A 57401/A 57402/A

ABSOLUTE MAXIMUM RATINGS

Supply voltage, V_{CC}	-0.5 V to 7 V
Input voltage	-1.5 V to 7 V
Off-state output voltage	-0.5 V to 5.5 V
Storage Temperature	-65°C to +150°C

Stresses greater than those listed under "Absolute Maximum Ratings" may cause permanent damage to the device. This is a stress rating only, and a functional operation of the device at these or any other conditions above those indicated in the operational sections of this specification is not implied. Exposure to absolute maximum rating conditions for extended periods of time may affect reliability. Absolute maximum ratings are for system design reference; parameters given are not tested.

OPERATING CONDITIONS 57401/2

Symbol	Parameter	Figure	Military			Unit
			Min	Typ	Max	
V_{CC}	Supply voltage		4.5	5	5.5	V
T_A^*	Operating temperature		-55		125	°C
t_{SIH}^\dagger	Shift in HIGH time	1	45			ns
t_{SIL}	Shift in LOW time	1	45			ns
t_{IDS}	Input data setup	1	10			ns
t_{IDH}	Input data hold time	1	55			ns
f_{IN}	Shift in rate	1	7			MHz
f_{OUT}	Shift Out rate	4	7			MHz
t_{SOH}^\dagger	Shift Out HIGH time	4	45			ns
t_{SOL}	Shift Out LOW time	4	45			ns
t_{MRW}	Master Reset pulse [†]	8	30			ns
t_{MRS}^{**}	Master Reset to SI	8	45			ns

* Instant-On Case Temperature

** t_{MRS} is measured on initial characterization lots only and is not directly tested in production.

SWITCHING CHARACTERISTICS 57401/2 Over Operating Conditions

Symbol	Parameter	Figure	Military		Unit
			Min	Max	
t_{IRL}^\dagger	Shift In to Input Ready LOW	1		60	ns
t_{IRH}^\dagger	Shift In to Input Ready HIGH	1		60	ns
t_{ORL}^\dagger	Shift Out to Output Ready LOW	4		65	ns
t_{ORH}^\dagger	Shift Out to Output Ready HIGH	4		70	ns
t_{ODH}	Output Data Hold (previous word)	4	10		ns
t_{ODS}	Output Data Shift (next word)	4		65	ns
t_{PT}	Data throughput or "fall through"	3, 6		4	μs
t_{MRORL}	Master Reset to OR LOW	8		65	ns
t_{MRIRH}	Master Reset to IR HIGH	8		65	ns
t_{IPH}^*	Input Ready pulse HIGH	3	20		ns
t_{OPH}^*	Output Ready pulse HIGH	6	20		ns

† See AC test and high speed application note.

* t_{IPH} and t_{OPH} are measured on initial characterization lots only and are not directly tested in production.

ABSOLUTE MAXIMUM RATINGS

Supply voltage, V_{CC}	-0.5 V to 7 V
Input voltage	-1.5 V to 7 V
Off state output voltage	-0.5 V to 5.5 V
Storage temperature	-65°C to +150°C

Stresses greater than those listed under "Absolute Maximum Ratings" may cause permanent damage to the device. This is a stress rating only, and a functional operation of the device at these or any other conditions above those indicated in the operational sections of this specification is not implied. Exposure to absolute maximum rating conditions for extended periods of time may affect reliability. Absolute maximum ratings are for system design reference; parameters given are not tested.

OPERATING CONDITIONS 57401A/2A

Symbol	Parameter	Figure	Military			Unit
			Min	Typ	Max	
V_{CC}	Supply voltage		4.5	5	5.5	V
T_A^*	Operating temperature		-55		125	°C
t_{SIH}^\dagger	Shift in HIGH time	1	35			ns
t_{SIL}	Shift in LOW time	1	35			ns
t_{IDS}	Input data setup	1	5			ns
t_{IDH}	Input data hold time	1	45			ns
f_{IN}	Shift in rate	1	10			MHz
f_{OUT}	Shift Out rate	4	10			MHz
t_{SOH}^\dagger	Shift Out HIGH time	4	35			ns
t_{SOL}	Shift Out LOW time	4	35			ns
t_{MRW}	Master Reset pulse	8	40			ns
t_{MRS}^{**}	Master Reset to SI	8	45			ns

* Instant-On Case Temperature

** t_{MRS} is measured on initial characterization lots only and is not directly tested in production.

2

SWITCHING CHARACTERISTICS 57401A/2A Over Operating Conditions

Symbol	Parameter	Figure	Military		Unit
			Min	Max	
t_{IRL}^\dagger	Shift In to Input Ready LOW	1		50	ns
t_{IRH}^\dagger	Shift In to Input Ready HIGH	1		50	ns
t_{ORL}^\dagger	Shift Out to Output Ready LOW	4		65	ns
t_{ORH}^\dagger	Shift Out to Output Ready HIGH	4		65	ns
t_{ODH}	Output Data Hold (previous word)	4	10		ns
t_{ODS}	Output Data Shift (next word)	4		60	ns
t_{PT}	Data throughput or "fall through"	3, 6		2.2	µs
t_{MRORL}	Master Reset to OR LOW	8		65	ns
t_{MRIRH}	Master Reset to IR HIGH	8		65	ns
t_{IPH}^*	Input Ready pulse HIGH	3	20		ns
t_{OPH}^*	Output Ready pulse HIGH	6	20		ns

† See AC test and high speed application note.

* t_{IPH} and t_{OPH} are measured on initial characterization lots only and are not directly tested in production.

ABSOLUTE MAXIMUM RATINGS

Supply voltage, V_{CC}	-0.5 V to 7 V
Input voltage	-1.5 V to 7 V
Off state output voltage	-0.5 V to 5.5 V
Storage temperature	-65°C to +150°C

Stresses greater than those listed under "Absolute Maximum Ratings" may cause permanent damage to the device. This is a stress rating only, and a functional operation of the device at these or any other conditions above those indicated in the operational sections of this specification is not implied. Exposure to absolute maximum rating conditions for extended periods of time may affect reliability. Absolute maximum ratings are for system design reference; parameters given are not tested.

OPERATING CONDITIONS C57401/2

Symbol	Parameter	Figure	Military			Unit
			Min	Typ	Max	
V_{CC}	Supply voltage		4.5	5	5.5	V
T_A^*	Operating temperature		-55		125	°C
t_{SIH}^\dagger	Shift in HIGH time	1	45			ns
t_{SIL}	Shift in LOW time	1	45			ns
t_{DS}	Input data setup	1	0			ns
t_{DHL}	Input data hold time	1	55			ns
f_{IN}	Shift in rate	1	7			MHz
f_{OUT}	Shift Out rate	4	7			MHz
t_{SOH}^\dagger	Shift Out HIGH time	4	45			ns
t_{SOL}	Shift Out LOW time	4	45			ns
t_{MRW}	Master Reset pulse [†]	8	30			ns
t_{MRB}^{**}	Master Reset to SI	8	45			ns

* Instant-On Case Temperature

** t_{MRB} is measured on initial characterization lots only and is not directly tested in production.

SWITCHING CHARACTERISTICS C57401/2 Over Operating Conditions

Symbol	Parameter	Figure	Military		Unit
			Min	Max	
t_{IRL}^\dagger	Shift In to Input Ready LOW	1		60	ns
t_{IRH}^\dagger	Shift In to Input Ready HIGH	1		60	ns
t_{ORL}^\dagger	Shift Out to Output Ready LOW	4		65	ns
t_{ORH}^\dagger	Shift Out to Output Ready HIGH	4		70	ns
t_{ODH}	Output Data Hold (previous word)	4	10		ns
t_{ODS}	Output Data Shift (next word)	4		65	ns
t_{PT}	Data throughput or "fall through"	3, 6		4	μs
t_{MRORL}	Master Reset to OR LOW	8		65	ns
t_{MRAIRH}	Master Reset to IR HIGH	8		65	ns
t_{IPH}^*	Input Ready pulse HIGH	3	30		ns
t_{OPH}^*	Output Ready pulse HIGH	6	30		ns

† See AC test and high speed application note.

* This parameter applies to FIFOs communicating with each other in a cascaded mode. t_{IPH} and t_{OPH} are measured on initial characterization lots only and are not directly tested in production.

ABSOLUTE MAXIMUM RATINGS

Supply voltage, V_{CC}	-0.5 V to 7 V
Input voltage	-1.5 V to 7 V
Off-state output voltage	-0.5 V to 5.5 V
Storage temperature	-65°C to +150°C

Stresses greater than those listed under "Absolute Maximum Ratings" may cause permanent damage to the device. This is a stress rating only, and a functional operation of the device at these or any other conditions above those indicated in the operational sections of this specification is not implied. Exposure to absolute maximum rating conditions for extended periods of time may affect reliability. Absolute maximum ratings are for system design reference; parameters given are not tested.

OPERATING CONDITIONS C57401A/2A

Symbol	Parameter	Figure	Military			Unit
			Min	Typ	Max	
V_{CC}	Supply voltage		4.5	5	5.5	V
T_A^*	Operating temperature		-55		125	°C
t_{SIH}^\dagger	Shift in HIGH time	1	35			ns
t_{SIL}	Shift in LOW time	1	35			ns
t_{IDS}	Input data setup	1	0			ns
t_{IDH}	Input data hold time	1	45			ns
f_{IN}	Shift in rate	1	10			MHz
f_{OUT}	Shift Out rate	4	10			MHz
t_{SOH}^\dagger	Shift Out HIGH time	4	35			ns
t_{SOL}	Shift Out LOW time	4	35			ns
t_{MRW}	Master Reset pulse	8	40			ns
t_{MRS}^{**}	Master Reset to SI	8	45			ns

* Instant-On Case Temperature

** t_{MRS} is measured on initial characterization lots only and is not directly tested in production.

SWITCHING CHARACTERISTICS C57401A/2A Over Operating Conditions

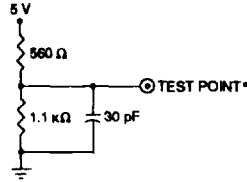
Symbol	Parameter	Figure	Military		Unit
			Min	Max	
t_{IRL}^\dagger	Shift In to Input Ready LOW	1		50	ns
t_{IRH}^\dagger	Shift In to Input Ready HIGH	1		50	ns
t_{ORL}^\dagger	Shift Out to Output Ready LOW	4		65	ns
t_{ORH}^\dagger	Shift Out to Output Ready HIGH	4		65	ns
t_{ODH}	Output Data Hold (previous word)	4	10		ns
t_{ODS}	Output Data Shift (next word)	4		60	ns
t_{PT}	Data throughput or "fall through"	3, 6		2.2	μs
t_{MRORL}	Master Reset to OR LOW	8		65	ns
t_{MIRRH}	Master Reset to IR HIGH	8		65	ns
t_{IPH}^*	Input Ready pulse HIGH	3	30		ns
t_{OPH}^*	Output Ready pulse HIGH	6	30		ns

† See AC test and high speed application note.

* This parameter applies to FIFOs communicating with each other in a cascaded mode. t_{IPH} and t_{OPH} are measured on initial characterization lots only and are not directly tested in production.

TEST LOAD FOR ALL DEVICES

Input pulse 0 to 3 V.
 Input Rise and Fall Time (10%–90%).
 5 ns minimum.
 Measurements made at 1.5 V.



505 133

* The "TEST POINT" is driven by the output under test, and observed by instrumentation.

DC CHARACTERISTICS Over Operating Conditions For all Devices

Symbol	Parameter	Test Conditions		Min	Typ	Max	Unit	
V_{IL}	Low-level input voltage					0.8†	V	
V_{IH}	High-level input voltage			2†			V	
V_{IC}	Input clamp voltage	$V_{CC} = \text{MIN}$	$I_I = -18 \text{ mA}$			-1.5	V	
I_{IL1}	Low-level input current	D_0-D_n, \overline{MF}	$V_{CC} = \text{MAX}$ $V_I = 0.45 \text{ V}$			-0.8	mA	
I_{IL2}		SI, SO				-1.6	mA	
I_{IH}	High-level input current	$V_{CC} = \text{MAX}$	$V_I = 2.4 \text{ V}$			50	μA	
I_I	Maximum input current	$V_{CC} = \text{MAX}$	$V_I = 5.5 \text{ V}$			1	mA	
V_{OL}	Low-level output voltage	$V_{CC} = \text{MIN}$	$I_{OL} = 8 \text{ mA}$			0.5	V	
V_{OH}	High-level output voltage	$V_{CC} = \text{MIN}$	$I_{OH} = -0.9 \text{ mA}$	2.4			V	
I_{OS}	Output short-circuit current*	$V_{CC} = \text{MAX}$	$V_O = 0 \text{ V}$	-20		-90	mA	
I_{CC}	Supply current	$V_{CC} = \text{MAX}$	57401			160	mA	
			57401A			180		
			57402			180		
			57402A			200		
			Inputs low,	C57401				160
			outputs open.	C57401A				180
			C57402			180		
C57402A			200					

* Not more than one output should be shorted at a time and duration of the short-circuit should not exceed one second.
 † V_{IL} and V_{IH} are input conditions of output tests and are not themselves directly tested. V_{IL} and V_{IH} are absolute voltages with respect to device ground and include all overshoots due to system and/or tester noise. Do not attempt to test these values without suitable equipment.

FUNCTIONAL DESCRIPTION

Data Input

After power up the Master Reset is pulsed low (Fig 8) to prepare the FIFO to accept data in the first location. When Input Ready (IR) is HIGH the location is ready to accept data from the D_x inputs. Data then present at the data inputs is entered into the first location when the Shift-In (SI) is brought HIGH. A SI HIGH signal causes the IR to go LOW. Data remains at the first location until SI is brought low. When SI is brought LOW and the FIFO is not full, IR will go HIGH, indicating that more room is available. Simultaneously, data will propagate to the second location and continue shifting until it reaches the output stage or a full location. The first word is present at the outputs before a Shift-Out is applied. If the memory is full, IR will remain LOW.

Data Transfer

Once data is entered into the second cell, the transfer of any full cell to the adjacent (downstream) empty cell is automatic, activated by an on-chip control. Thus data will stack up at the end of the device while empty locations will "bubble" to the front. t_{PT} defines the time required for the first data to travel from input to the output of a previously empty device.

Data Output

Data is read from the O_x outputs. When data is shifted to the output stage, Output Ready (OR) goes HIGH, indicating the presence of valid data. When the OR is HIGH, data may be shifted out by bringing the Shift Out (SO) HIGH. A HIGH signal at SO causes the OR to go LOW. Valid data is maintained while the SO is HIGH. When SO is brought LOW the upstream data, provided that stage has valid data, is shifted to the output stage.

When new valid data is shifted to the output stage, OR goes HIGH. If the FIFO is emptied, OR stays LOW, and O_x remains as before (i.e. data does not change if FIFO is empty). Input Ready and Output Ready may also be used as status signals indicating that the FIFO is completely full (Input Ready stays LOW for at least t_{PT}) or completely empty (Output Ready stays LOW for at least t_{PT}).

AC Test and High Speed App. Notes

Since the FIFO is a very-high-speed device, care must be exercised in the design of the hardware and the timing utilized within the design. The internal shift rate of the FIFO typically exceeds 20 MHz in operation. Device grounding and decoupling is crucial to correct operation as the FIFO will respond to very small glitches due to long reflective lines, high capacitance and/or poor supply decoupling and grounding. We recommend a monolithic ceramic capacitor of 0.1 μ F directly between V_{CC} and GND with very short lead length. In addition, care must be exercised in how the timing is set up and how the parameters are measured. For example, since an AND gate function is associated with both the Shift-In-Input Ready combination, as well as the Shift-Out-Output Ready combination, timing measurements may be misleading, i.e. rising edge of the Shift-In pulse is not recognized until Input-Ready is High. If Input-Ready is not high due to too high a frequency or FIFO being full or affected by Master Reset, the Shift-In activity will be ignored. This will affect the device from a functional standpoint, and will also cause the "effective" timing of Input Data Time (t_{IDT}) and the next activity of the Input Ready (t_{IRL}) to be extended relative to Shift In going High. This same type of problem is also related to t_{IRH} , t_{ORL} and t_{ORH} as related to Shift-Out.

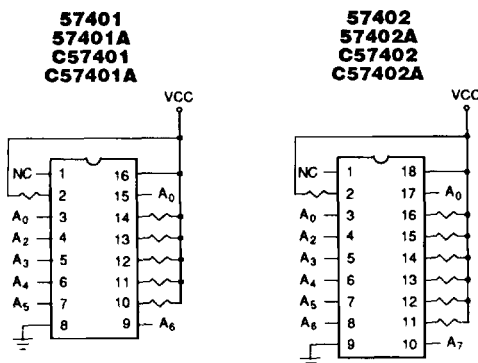
2

LIFE TEST/ BURN-IN CIRCUITS

Military Burn-In

Military burn-in is in accordance with the current revision of MIL-STD-883. Test method 1015, conditions A through E. Test conditions are selected at AMD's option.

Dynamic Burn-In Circuitry



$T_{\text{ambient}} = 125^{\circ}\text{C}$

$V_{CC} = 5.25 \pm 0.25 \text{ V}$

Square wave pulses on A_0 to A_6 are:

1. 50% \pm 15% duty cycle
2. Logic "0" = -1 V to 0.7 V
3. Logic "1" = 2.4 V to V_{CC}
4. Frequency of each address is to be one-half of each preceding input, with A_0 beginning at 100 kHz.

e.g., $A_0 = 100 \text{ kHz}$

$A_1 = 50 \text{ kHz} \pm 10\%$

$A_2 = 25 \text{ kHz} \pm 10\%$

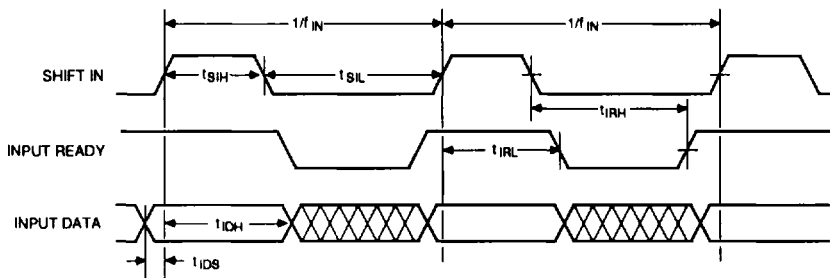
$A_n = 1/2 A_{n-1} \pm 10\%$, etc.

505 134

C57401/A C57402/A

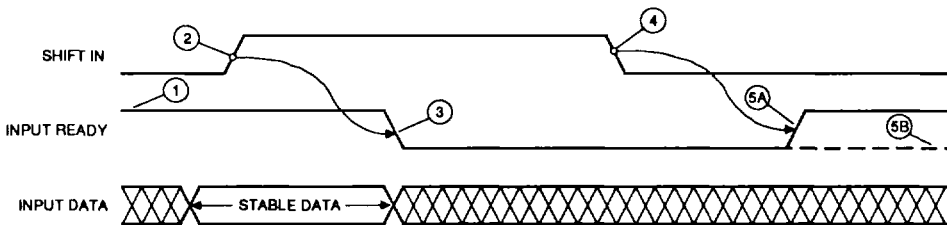
57401/A 57402/A

2-199



505 136

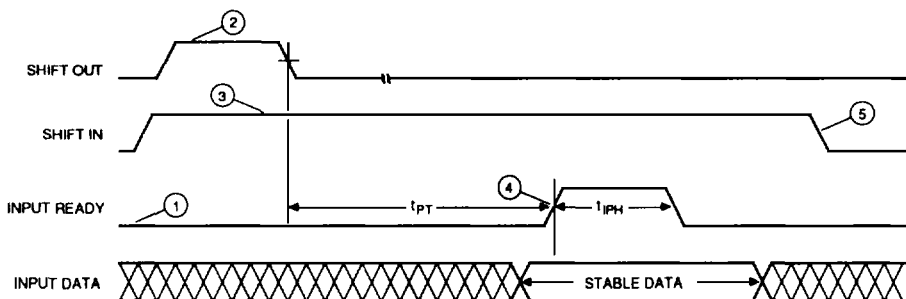
Figure 1. Input Timing



505 137

1. Input Ready HIGH indicates space is available and a Shift-In pulse may be applied.
 2. Input Data is loaded into the first word.
 3. Input Ready goes LOW indicating the first word is full.
 4. The Data from the first word is released for "fall-through" to second word.
 5. The Data from the first word is transferred to second word. The first word is now empty as indicated by Input Ready HIGH.
 - 5B. If the second word is already full then the Data remains at the first word. Since the FIFO is now full InputReady remains low.
- Note: Shift in pulses applied while input Ready is LOW will be ignored (See Figure 3).

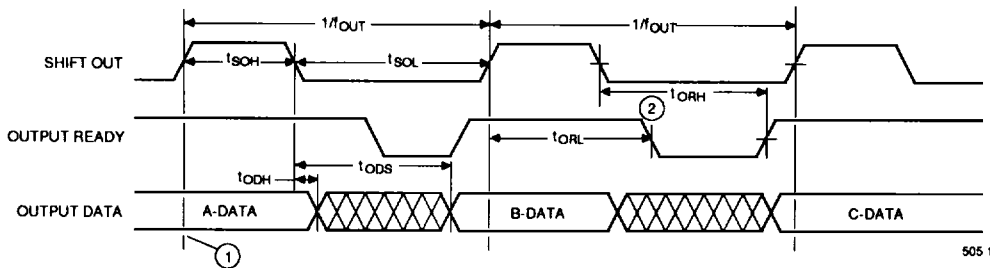
Figure 2. The Mechanism of Shifting Data into the FIFO



505 138

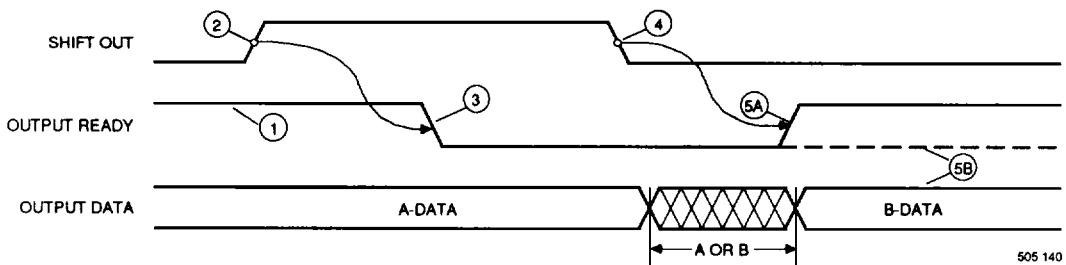
1. FIFO is initially full.
2. Shift Out pulse is applied. An empty location starts "bubbling" to the front.
3. Shift in is held HIGH.
4. As soon as Input Ready becomes HIGH the input Data is loaded into the first word.
5. The Data from the first word is released for "fall through" to second word.

Figure 3. Data Is Shifted In Whenever Shift In and Input Ready Are Both HIGH



1. The diagram assumes that at this time words 63, 62, 61 are loaded with A, B, C Data, respectively.
2. Data is shifted out when Shift Out makes a HIGH to LOW transition.

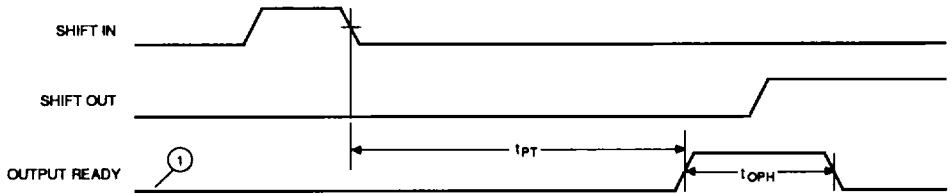
Figure 4. Output Timing



1. Output Ready HIGH indicates that data is available and a Shift-Out pulse may be applied.
2. Shift-Out goes HIGH causing the next step.
3. Output ready goes LOW.
4. Contents of word 62 (B-DATA) is released for "fall-through" to word 63.
- 5A. Output ready goes HIGH indicating that new data (B) is now available at the FIFO outputs.
- 5B. If the FIFO has only one word loaded (A-DATA) then Output Ready stays LOW and the A-DATA remains unchanged at the outputs.

Note: Shift Out pulses applied when Output Ready is LOW will be ignored (Figure 7).

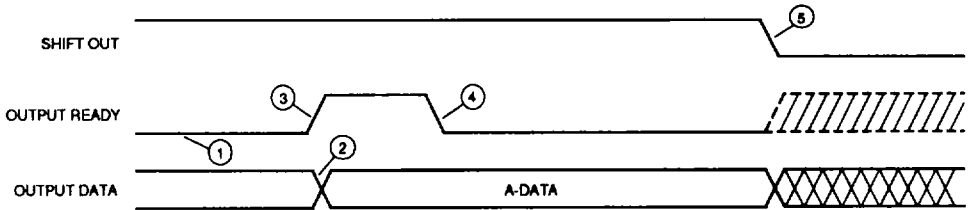
Figure 5. The Mechanism of Shifting Data Out of the FIFO



506 141

1. FIFO initially empty.

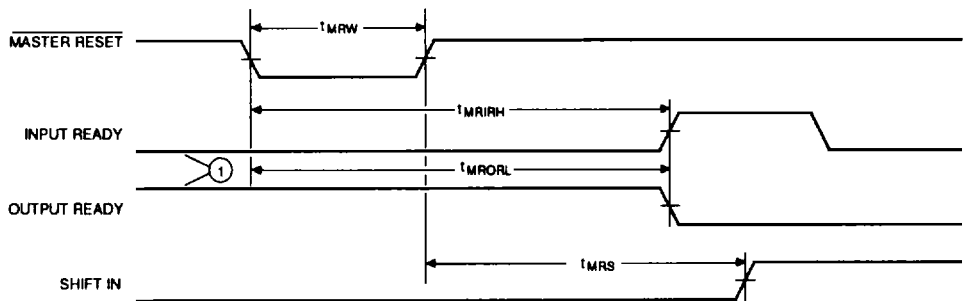
Figure 6. t_{PT} and t_{OPH} Specification



506 142

1. Word 63 is empty.
2. New data (A) arrives at the outputs (word 63).
3. Output Ready goes HIGH indicating arrival of new data.
4. Since Shift Out is held HIGH, Output Ready goes immediately LOW.
5. As soon as Shift Out goes LOW the Output Data is subject to change as shown by the dashed line on Output Ready.

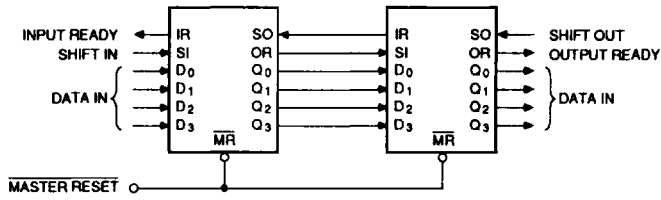
Figure 7. Data is Shifted Out Whenever Shift Out and Output Ready Are Both HIGH



506 143

1. FIFO initially full.

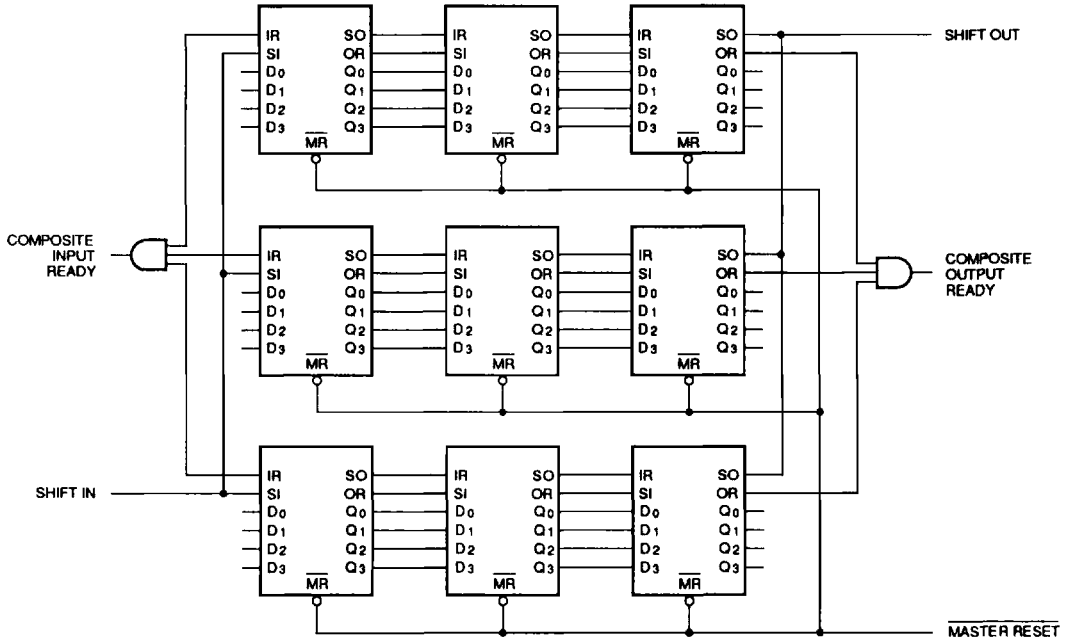
Figure 8. Master Reset Timing



505 144

Figure 9. Cascading FIFOs to Form 128X4 FIFO with C57401/A

Cascadable FIFOs can be easily cascaded to any desired depth. The handshaking and associated timing between the FIFOs are handled by the FIFOs themselves.



2

Figure 10. 192X12 FIFO with C57401/A

505 145

Cascadable FIFOs are expandable in depth and width. However, in forming wider words two external gates are required to generate composite Input and Output Ready flags. This need is due to the different fall-through times of the FIFOs.