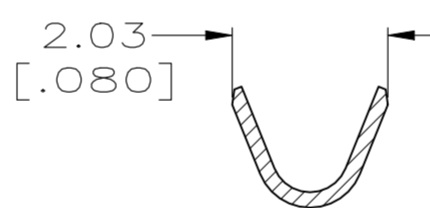
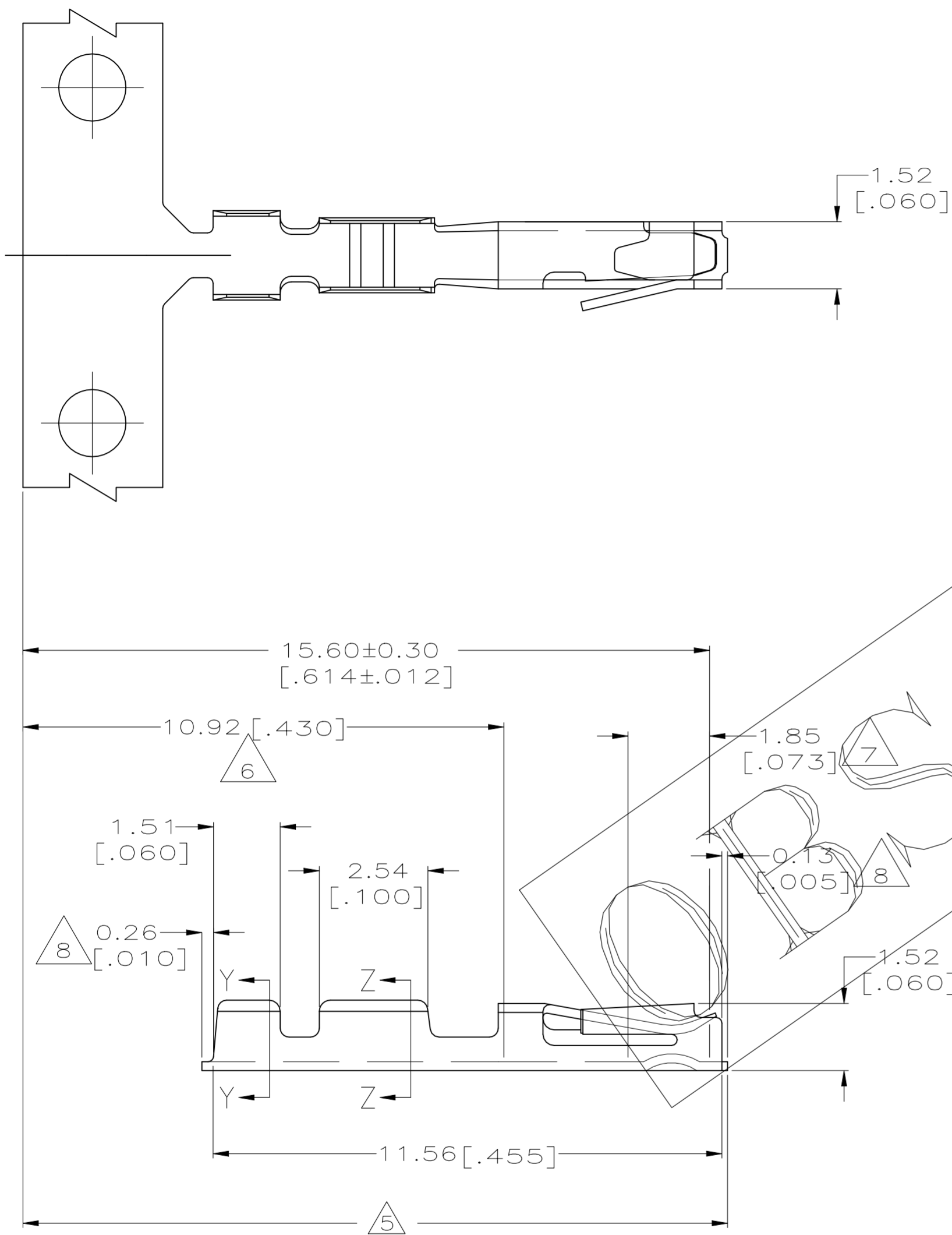
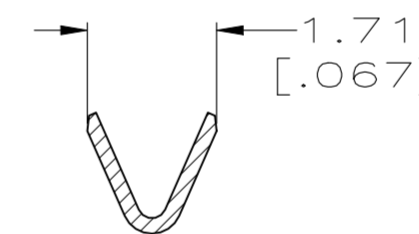


P	LTR	DESCRIPTION	DATE	DWN	APVD
A1		REVISED PER ECN-22-190129	14DEC2022	AB	SZ

1. WIRE RANGE 22-26 AWG.
2. INSULATION RANGE 0.91-1.37 [.036-.054] DIA.
3. PREPLATED 0.00127 [.000050] MIN MATTE TIN IN ZONES I & II, 0.000762 [.000030] MIN GOLD OVER 0.000762 [.000030] MIN NICKEL INLAY IN ZONE III.
4. PHOSPHOR BRONZE.
5. ZONE I (OUTSIDE SURFACES).
6. ZONE II (INSIDE SURFACES).
7. ZONE III (INSIDE SURFACES).
8. MAXIMUM CUTOFF.



SECTION Y-Y



SECTION Z-Z

THIS DRAWING IS A CONTROLLED DOCUMENT.		DWN J. ALCORTA - DOCK5 10MAY05	5531224-6 STRIP PART NO	
DIMENSIONS: mm		CHK A. FRANTUM 10MAY05	TE Connectivity CONTACT, RECEPTACLE, HIGH PRESSURE, MINI-TANDEM SPRING	
TOLERANCES UNLESS OTHERWISE SPECIFIED:		APVD S. FLICKINGER 10MAY05		
0 PLC ± - 1 PLC ± - 2 PLC ± - 3 PLC ± 0.13[.005] 4 PLC ± - ANGLES ± 1°		PRODUCT SPEC 108-25031	SIZE A2	CAGE CODE 00779
MATERIAL 4		FINISH 3	DRAWING NO C=5531224	RESTRICTED TO -
CUSTOMER DRAWING			SCALE 4:1	SHEET 1 of 1
			REV A1	