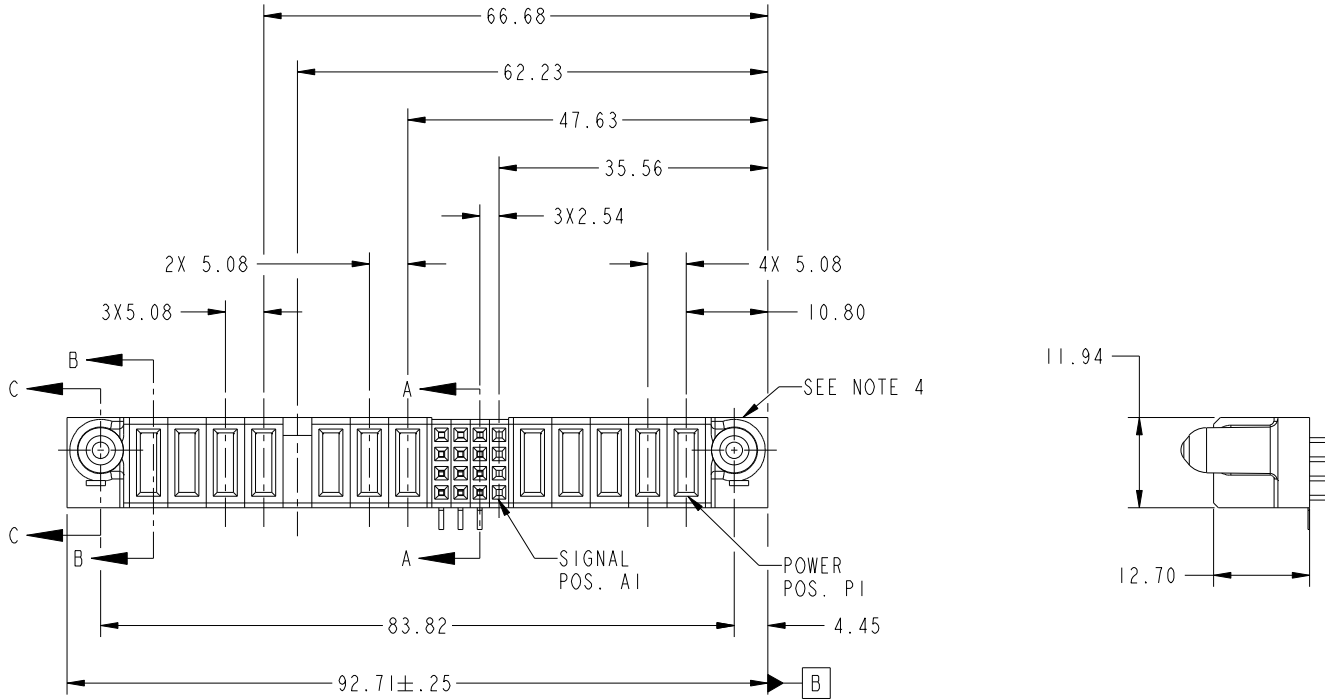


Tous droits strictement réservés. Reproduction ou communication a des tiers interdite sous quelque forme que ce soit sans autorisation écrite du propriétaire. Propriété de c.FCI. Droits de reproduction FCI.

All rights strictly reserved. Reproduction or issue to third parties in any form whatever is not permitted without written authority from the proprietor. Property of FCI. Copyright FCI.



PRODUCT NO. 51940-151-- NOTE: 3	ROWS D C B A	POWER						SIGNAL			POWER								
		E2	P12	P11	P10	P9	P8	P7	P6	4	3	2	1	P5	P4	P3	P2	P1	E1
			PA	PA	PA	PA	PA	PA	PA	E	E	E	X	PD	PD	PD	PD	PD	



CODE	DIM "M" MATING LENGTH	CONTACT TYPE
PA	[1.07]	POWER
PD	[2.34]	POWER
E	[N/A]	SIGNAL
X	OMITTED	OMITTED

mat'l code				SEE NOTE		tolerances unless otherwise specified		CUSTOMER		 www.fciconnect.com	
lir	ecn no.	dr	date	linear	0.X ± 0.5	COPY		projection		title	
A	DG05-0176	GuoJM	06/20/05	angles	0.XX ± 0.25	MM				5P + 16S + 7P VERTICAL STB RECEPT	
B	DG07-0498	JW	09/15/08		0.XXX ± 0.10	scale		product family		code	
				dr	JM Guo 06/20/05	1:1		PwrBlade		213	
				engr	SLUO 06/20/05			size dwg no		sheet	
				chr	VICTOR LIN 06/20/05			A 51940-151		1 of 4	
				appd	JOSEPH HSIA 06/20/05						
sheet index	revision sheet	B 1	B 2	B 3	B 4						

A

A

B

B

1 | 2

3

4

Pro/E

PDM: Rev: B

STATUS: Released

Printed: Dec 20, 2010

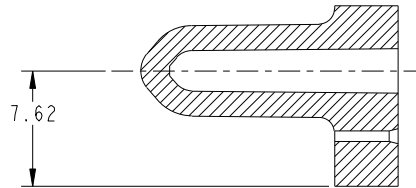
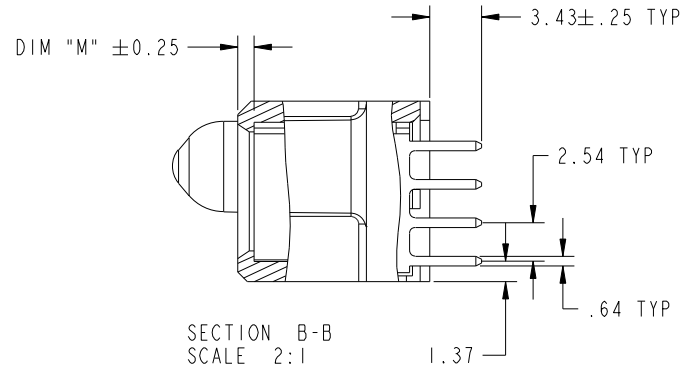
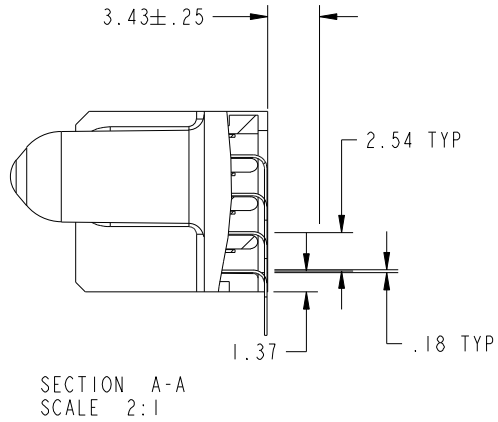
cage code 28556

Tous droits strictement reserves. Reproduction ou communication a des tiers interdite sous quelque forme que ce soit sans autorisation ecrite du proprietaire. Propriete de c FCI. Droits de reproduction FCI.

All rights strictly reserved. Reproduction or issue to third parties in any form whatever is not permitted without written authority from the proprietor. Property of FCI. Copyright FCI.



PRODUCT NUMBER
51940-151--
NOTE: 3



mat'l code		SEE NOTE		tolerances unless otherwise specified		CUSTOMER		 www.fciconnect.com	
lfr	ecn no.	dr	date	linear	0.X ± 0.5	COPY		title	
B					0.XX ± 0.25	projection		5P + 16S + 7P VERTICAL STB RECEPT	
				angles	0.XXX ± 0.10			product family	
				dr	0° ± 2°			PwrBlade	
				enr	JM Guo 06/20/05	scale		size	code
				chr	SLUO 06/20/05	1:1		dwg no	213
				appd	VICTOR LIN 06/20/05			A	51940-151
					JOSEPH HSIA 06/20/05			sheet	2
sheet index	revision sheet								

A

A

B

B

1 | 2

3 |

4

1 | 2

Pro/E

PDM: Rev: B

STAT: Released

Printed: Dec 20, 2010

cage code 22506

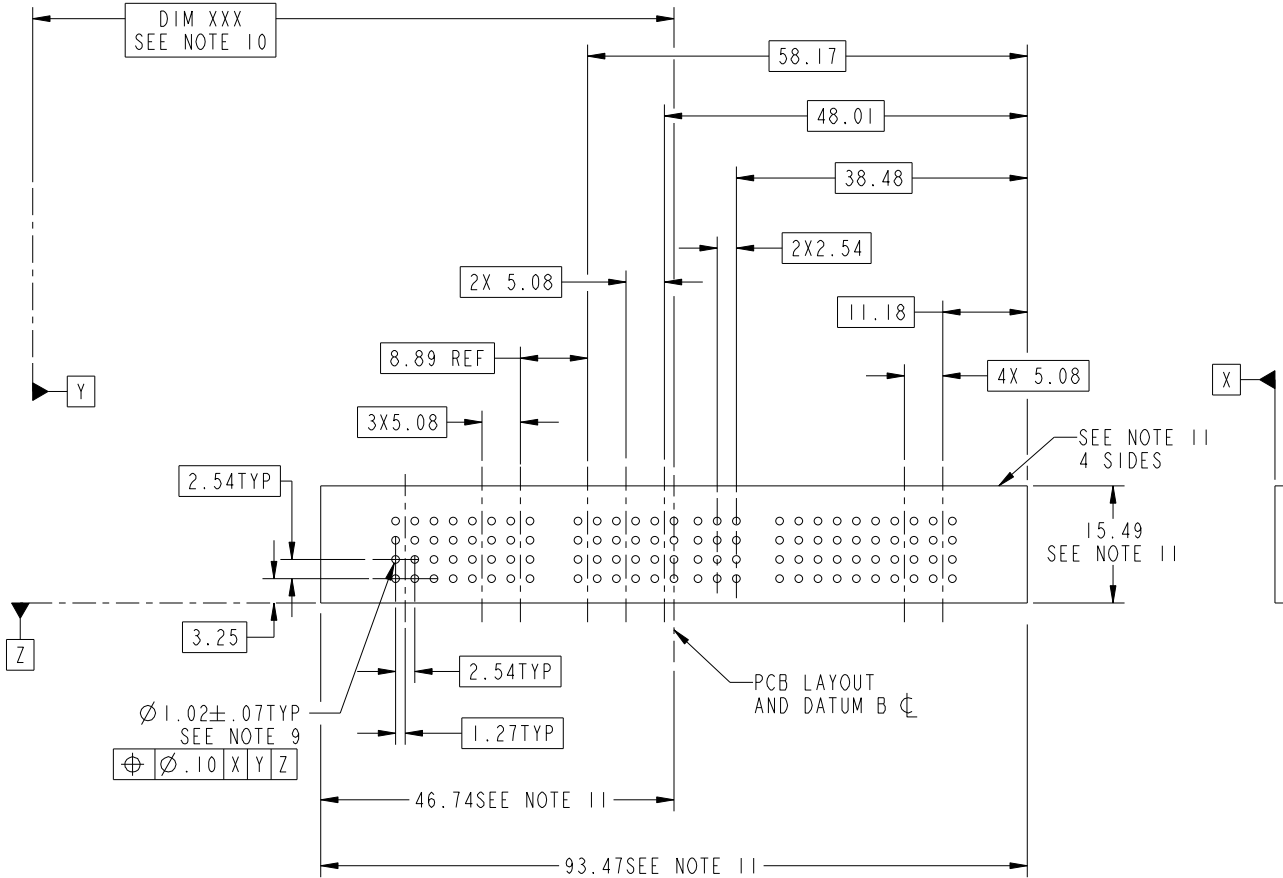
4

Tous droits strictement reserves. Reproduction ou communication a des tiers interdite sous quelque forme que ce soit sans autorisation ecrite du proprietaire. Propriete de c.FCI. Droits de reproduction FCI.



All rights strictly reserved. Reproduction or issue to third parties in any form whatever is not permitted without written authority from the proprietor. Property of FCI. Copyright FCI.

PRODUCT NUMBER
51940-151--
NOTE: 3



mat'l code		SEE NOTE		tolerances unless otherwise specified		CUSTOMER		www.fciconnect.com	
lir	ecn no.	dr	date	linear	0.X ±0.5	COPY		title	
B					0.XX ±0.25	projection		5P + 16S + 7P VERTICAL STB RECEPT	
				angles	0.XXX ±0.10			product family PwrBlade code	
				dr	JM Guo 06/20/05	MM		size dwg no	
				enr	SLUO 06/20/05			213	
				chr	VICTOR LIN 06/20/05	scale		sheet	
				appd	JOSEPH HSIA 06/20/05	1:1		3	
sheet index	revision sheet							A 51940-151	

Tous droits strictement reserves. Reproduction ou communication a des tiers interdite sous quelque forme que ce soit sans autorisation ecrite du propriétaire. Propriete de c.FCI. Droits de reproduction FCI.

All rights strictly reserved. Reproduction or issue to third parties in any form whatever is not permitted without written authority from the proprietor. Property of FCI. Copyright FCI.



1 | 2

3

4

PRODUCT NUMBER

51940-151--
NOTE: 3

NOTES:

1. DIMENSIONS AND TOLERANCES ARE IN ACCORDANCE WITH ASME Y14.5M, 1994 UNLESS OTHERWISE SPECIFIED.

CONNECTOR NOTES:

② HOUSING MATERIAL: UL 94 V-0 GLASS FILLED
HIGH-TEMP THERMOPLASTIC
POWER CONTACT MATERIAL: COPPER ALLOY
SIGNAL PIN MATERIAL: COPPER ALLOY

ⓑ 3. PLATING:
SEE ITEM 5 & 6 IN PRINT 10064183 FOR PLATING SPEC OF 51940-151; 51940-151LF RESPECTIVELY.

④ MANUFACTURER'S NAME, P/N, AND DATE CODE TO APPEAR ON THIS SURFACE.

5. PRODUCT SPECIFICATION GS-12-149.
APPLICATION SPECIFICATION BUS-20-067.

6. PACKAGED IN TRAYS.

PCB NOTES:

7. ALL HOLE DIAMETERS ARE FINISHED HOLE SIZE.

⑧ MOUNTING HOLES, WHERE APPLICABLE, ARE UNPLATED.

⑨ $\varnothing 1.151 \pm 0.025$ DRILLED HOLES PLATED WITH
0.008 MIN SnPb OR Sn OVER 0.03
TO 0.08 Cu PLATING TO ACHIEVE
 $\varnothing 1.02 \pm 0.07$ HOLE.

⑩ "DIM XXX" TO BE DETERMINED BY THE CUSTOMER.

⑪ CONNECTOR KEEP-OUT ZONE.

12 A/B SYMBOL WILL BE NEXT TO ANY DIMENSION, VIEW, OR NOTE WHICH HAS BEEN MODIFIED WITH THE CURRENT DRAWING REVISION.

mat'l code				SEE NOTE		tolerances unless otherwise specified		CUSTOMER		www.fciconnect.com		
lir	ecm no.	dr	date	linear	0.X ±0.5		COPY			title		
B					0.XX ±0.25		5P + 16S + 7P			VERTICAL STB RECEPT		
					0.XXX ±0.10					product family PwrBlade		code
				angles	0° ±2°		scale			size	dwg no	
				dr	JM Guo	06/20/05	1:1			A	51940-151	213
				enrg	SLUO	06/20/05						sheet
				chr	VICTOR LIN	06/20/05						4
				appd	JOSEPH HSIA	06/20/05						
sheet index	revision sheet											

1 | 2

Pro/E

PDM: Rev:B

STATUS: Released

Printed: Dec 20, 2010

A

A

B

B

cage code 22506

4