



AM3517 SOM-M2

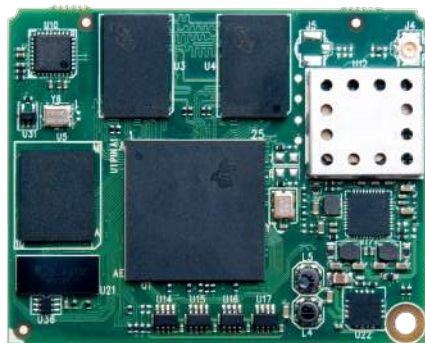
Essential features for handheld and embedded networking applications

The AM3517 System on Module (SOM) is a compact, product-ready, pre-certified hardware and software solution that fast forwards embedded designs while reducing risk and controlling cost.

Based on the Texas Instruments (TI) Sitara AM3517 microprocessor and designed in the SOM-M2 form factor, the AM3517 module offers essential features for handheld and embedded networking applications. The AM3517 SOM-M2 features the superset AM3517 processor, but also supports the AM3505 processor.

The standard SOM-M2 form factor allows developers to reuse existing baseboard designs when upgrading to new AM processors, which extends roadmap possibilities for end-products.

The compact size of the AM3517 SOM-M2 is ideal for medical patient monitoring wearables and other portable instrumentation applications. The AM3517 includes an SGX530 graphics accelerator and wired 10/100 Ethernet. For commercial signage, medical imaging, avionics, and industrial displays, the AM3517 SOM-M2 allows for powerful versatility, long-life, and greener products.



AM3517 SOM-M2

**Enlarged to show detail*

AM3517 SOM-M2

HIGHLIGHTS

- Product-ready System on Module with a TI AM3517 processor running at 600 MHz
- Compact form factor—SOM-M2 (40.9 x 51.2 x 5.4 mm)
- Linux™ Development Kit
- Commercial temp (0°C to 70°C)
Industrial temp (-40°C to 85°C)
- Long product lifecycle
- RoHS compliant

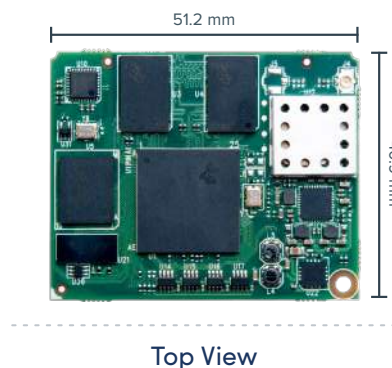
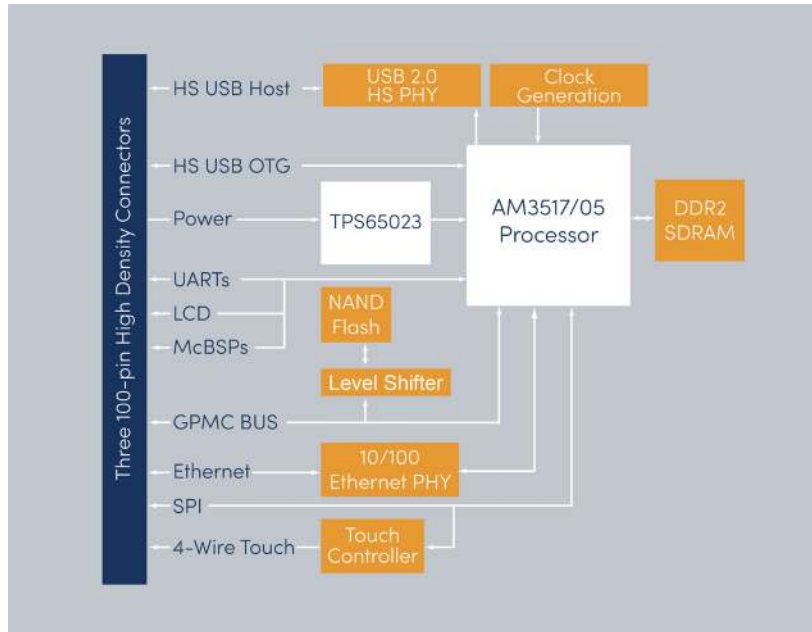
Zoom™ Development Kit eXperimenter Kit

FEATURES

- AM3517 SOM-M2
- Baseboard

Also, by starting with the eXperimenter Development Kit, engineers can write application software on the same hardware that will be used in their final product.

AM3517 SOM-M2 Block Diagram



AM3517 SOM-M2 Ordering Information

MODEL NUMBER	SPEED (MHz)	DDR2 (MB)	NAND Flash (MB)	10/10 ETHERNET	802.11b/g/n ETHERNET	BLUETOOTH 2.1 + EDR	TEMP. (°C)
SOMAM3517-10-1780FJCR	600	256	512	Y	N	N	0°-70°
SOMAM3517-10-1780FJIR	600	256	512	Y	N	N	-40°-85°

NOTES:

1. Custom configurations are available by special order. Please contact Beacon EmbeddedWorks Sales for details.

Zoom™ AM3517 Development Kit Ordering Information

DEVELOPMENT KIT	MODEL NUMBER	SOM-M2 CONFIGURATION INCLUDED	SUGGESTED RESALE
eXperimenter Kit ¹	SDK-AM3517-10-256512R	SOMAM3517-10-1780-FJCR	\$540

NOTES:

1. The Zoom AM3517 eXperimenter Kit is available through Beacon EmbeddedWorks distributors.

PRODUCT FEATURES

Processor

- TI AM3517 processor with ARM Cortex-A8 core running at 600 MHz

SDRAM Memory

- DDR2 256 MB (scalable to 512 MB)

Flash Memory

- NAND flash 512 MB (scalable)

Display & Graphics

- SGX530 graphics accelerator (AM3517 only)
- Programmable color LCD controller supports up to a 24 bpp TFT interface

Touchscreen

- Integrated 4-wire touchscreen controller

Network Support

- 10/100 Base-T Ethernet PHY

PC Card Expansion

- Multiple MMC/SD card support

USB

- One USB 2.0 high-speed On-the-Go interface
- One USB 2.0 high-speed host interface

Serial Interfaces

- Up to four external UARTs
- CAN 2.0B controller
- Three I2C ports
- Three SPI ports

GPIO

- Programmable I/O depending on peripheral requirements

Software

- U-Boot (bootloader/monitor)
- Linux™ BSP

Mechanical

- SOM-M2 form factor
- 40.9 mm wide x 51.2 mm long x 5.4 mm high

RoHS Compliant